

Experts for your systems

## Ex – Polyester Enclosures



- Quality • Reliability • Delivery reliability
- Our knowledge for your application



### **Proviso**

We reserve the right to make technical changes. Changes, errors, and literal errors do not justify any claim for damage compensation. For security components and systems, the relevant standards, as well as the relevant operating and assembly instructions have to be followed.

# Ex Polyester terminal boxes




Assembly overview

General data

Type		Cable glands				Terminals (mm <sup>2</sup> )						
		M16	M20	M25	M32	Mini 2,5	1,5	2,5	4	6	10	
QX-P1	80x75x55	Side A+B	2	1			1 x 5					
		Side C+D	1	0								
QX-P2	110x75x55	Side A+B	3	2			1 x 8					
		Side C+D	1	0								
QX-P3	160x75x55	Side A+B	4	4			1 x 12					
		Side C+D	1	0								
QX-P4	190x75x55	Side A+B	6	4			1 x 12					
		Side C+D	1	0								
QX-P5	122x120x90	Side A+B	6	2	2	1		1 x 16	1 x 14	1 x 12	1 x 9	1 x 6
		Side C+D	2	1	1	1						
QX-P6	220x120x90	Side A+B	12	5	4	3		1 x 41	1 x 34	1 x 29	1 x 21	1 x 16
		Side C+D	2	1	1	1						
QX-P7	160x160x90	Side A+B	8	3	3	2		1 x 23	1 x 20	1 x 17	1 x 12	1 x 9
		Side C+D	6	2	2	1						
QX-P8	260x160x90	Side A+B	14	6	5	4		1 x 48	1 x 40	1 x 34	1 x 25	1 x 19
		Side C+D	6	2	2	1						
QX-P9	360x160x90	Side A+B	22	9	8	6		1 x 73	1 x 60	1 x 51	1 x 37	1 x 29
		Side C+D	6	2	2	1						
QX-P10	200x250x120	Side A+B	15	8	8	3		2 x 36	2 x 32	2 x 26	2 x 18	2 x 14
		Side C+D	12	10	8	3						
QX-P11	255x250x120	Side A+B	21	12	10	4		2 x 47	2 x 39	2 x 33	2 x 24	2 x 18
		Side C+D	12	10	8	3						
QX-P11H	255x250x160	Side A+B	21	12	10	4		2 x 47	2 x 39	2 x 33	2 x 24	2 x 18
		Side C+D	12	10	8	3						
QX-P12	400x250x120	Side A+B	36	20	18	7		2 x 83	2 x 68	2 x 57	2 x 42	2 x 33
		Side C+D	12	10	8	3						
QX-P12H	400x250x160	Side A+B	36	20	18	7		2 x 83	2 x 68	2 x 57	2 x 42	2 x 33
		Side C+D	12	10	8	3						
QX-P13	400x405x120	Side A+B	36	20	18	7		3 x 83	3 x 68	3 x 57	3 x 42	3 x 33
		Side C+D	12	10	8	3						
QX-P13H	400x405x200	Side A+B	72	40	36	21		3 x 83	3 x 68	3 x 57	3 x 42	3 x 33
		Side C+D	55	36	32	18						
QX-P15	600x250x120	Side A+B	57	30	26	10		2x112	2x108	2 x 90	2 x 62	2 x 45
		Side C+D	12	10	8	3						
QX-P15H	600x250x160	Side A+B	57	30	26	10		2x112	2x108	2 x 90	2 x 62	2 x 45
		Side C+D	12	10	8	3						

Combinations and other sizes after technical clarification

Data of standard polyamide cable glands					
Type	Wrench size	Range (mm)	Type	Wrench size	Range (mm)
<b>M12</b>	15	4 – 6,5	<b>M32</b>	36	16 – 21
<b>M16</b>	19	5 – 8	<b>M40</b>	46	20 – 28
<b>M20</b>	25	7 – 13	<b>M50</b>	60	31 – 38
<b>M25</b>	29	12 – 17	<b>M63</b>	65	35 – 44

Specification for Ex area			
Marking according to 2014/34/EU		 II 2 GD	
Type of protection		II 2G Ex eb IIC und II 2D Ex tb IIIC	
Ambient temperature °C Silicone gasket		Gas temperature class T*°C	Dust temperature °C
MIN	MAX		
-60	+50	T6	85
-60	+55	T5	100
-60	+60	T4	120
Max. temperature range		-60..+100°C	
Ingress protection		IP 66 QX-P1: IP 56	
Ex-Zone		1, 2, 21, 22	
Applicable at risk of mechanical exposure (Impact resistance)		high (7 Joule) QX-P1 for dust: 4 Joule	
Gas groups		IIA; IIB; IIC	
Certificates		ATEX, IECEx, EAC TC-RU, NEMA 4X	

Enclosure specification	
Enclosure material	Carbon black doped glass-fibre reinforced polyester according to UL/V0
Surface	Die casting, standard colour black. Other colours optional
Lid fixing	Full removable lid with captive M6 stainless steel screws
Gasket	One piece of silicone
Earthing	By PE terminals. Optional: internal/external earth bolt brass M6 Optional: internal earthing plate
Bushing	Direct tapped threaded holes
Mounting	6,5mm holes within enclosure body

Options	
Internal / external earth stud M6	ES6
Internal earthing plate brass	EP-xx xx = 1-15(H) (Size of enclosure)
Hinges for lid	HI
Colour	RAL__
Mounting plate, zinc plated	MP-Pxx xx = 1-15(H) (Size of enclosure)



- High chemical resistance
- International certificates available
- Self-assembly with terminals
- No static charge
- Robust construction
- UV-Resistant

## Description

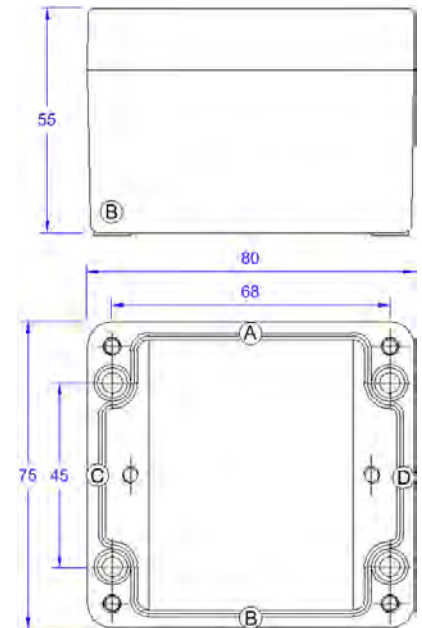
GRP (glass-fibre reinforced polyester) enclosures have proven themselves even in the harshest of environments.

These robust and UV-resistant enclosures can withstand harmful aggressive chemical and mechanical abuse.

The lid with integrated silicon gasket and high corrosion resistive stainless steel captive screws allows easy handling and reliability with a perfect weather seal.

Stainless steel screw inserts are attached to the inside rear surface for ease of securing a terminal rail or mounting plate.

No static charges occur due to the doped conductive carbon black low surface resistance construction.



## Possible Application

- Ex e / Ex i junction boxes

## Technical Data

Material:	Black GRP
Dimension (mm):	80 x 75 x 55
Fixing centres (mm):	68 x 45 / 4x4,5Ø
Power dissipation:	4,0 Watt @ +40°C 1,6 Watt @ +50°C
for dust Ex:	2,0 Watt @ +40°C 0,8 Watt @ +50°C
Ingress protection:	IP 56
Impact resistance:	7 Joule / dust 4 Joule
Min. ambient temp.:	-60°C
Temperature class:	T6 @ +50°C T5 @ +55°C T4 @ +60°C
Weight:	0,23 kg

## Certificates

ATEX, IECEx, EAC TC-RU, NEMA 4X

## Marking

Empty enclosures:

⊕ Ex II 2G Ex eb IIC / ⊕ Ex II 2D Ex tb IIIC

Terminal Boxes:

⊕ Ex II 2G Ex eb ia IIC/IIB/IIA T6/T5/T4

⊕ Ex II 2D Ex tb IIIC T85°C/T100°C/T120°C

## Quantity of glands

Gland	M16	M20	M25
Side A / B	2	1	0
Side C / D	1	0	0

## Terminals

mm <sup>2</sup>	Mini 2,5		
horizontal rail	1x5		



- High chemical resistance
- International certificates available
- Self-assembly with terminals
- No static charge
- Robust construction
- UV-Resistant

## Description

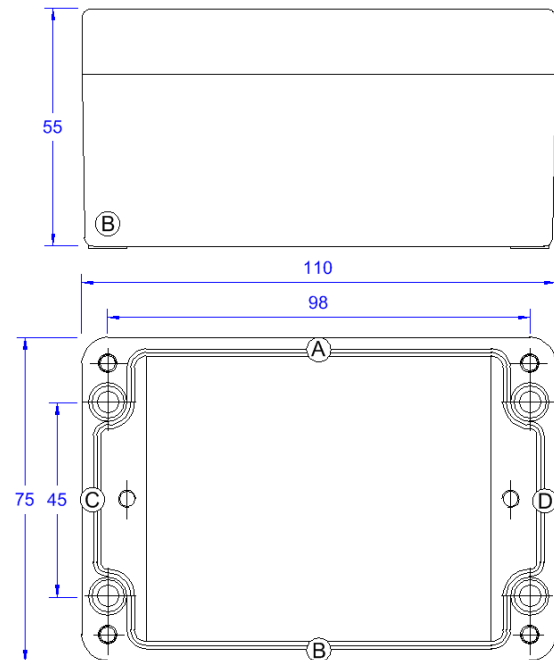
GRP (glass-fibre reinforced polyester) enclosures have proven themselves even in the harshest of environments.

These robust and UV-resistant enclosures can withstand harmful aggressive chemical and mechanical abuse.

The lid with integrated silicon gasket and high corrosion resistive stainless steel captive screws allows easy handling and reliability with a perfect weather seal.

Stainless steel screw inserts are attached to the inside rear surface for ease of securing a terminal rail or mounting plate.

No static charges occur due to the doped conductive carbon black low surface resistance construction.



## Possible Application:

- Ex e / Ex i junction boxes

## Technical Data

Material:	Black GRP
Dimension (mm):	110 x 75 x 55
Fixing centres (mm):	98 x 45 / 4x4,5Ø
Power dissipation:	5,5 Watt @ +40°C 2,0 Watt @ +50°C
for dust Ex:	2,75 Watt @ +40°C 1,0 Watt @ +50°C
Ingress protection:	IP 66
Impact resistance:	7 Joule
Min. ambient temp.:	-60°C
Temperature class:	T6 @ +50°C T5 @ +55°C T4 @ +60°C
Weight:	0,32 kg

## Certificates

ATEX, IECEX, EAC TC-RU, NEMA 4X

## Marking

Empty enclosures:

⊕ Ex II 2G Ex eb IIC / ⊕ Ex II 2D Ex tb IIIC

Terminal Boxes:

⊕ Ex II 2G Ex eb ia IIC/IIB/IIA T6/T5/T4

⊕ Ex II 2D Ex tb IIIC T85°C/T100°C/T120°C

## Quantity of glands

Gland	M16	M20	M25
Side A / B	3	2	0
Side C / D	1	0	0

## Terminals

mm <sup>2</sup>	Mini 2,5		
horizontal rail	1x8		



- High chemical resistance
- International certificates available
- Self-assembly with terminals
- No static charge
- Robust construction
- UV-Resistant

## Description

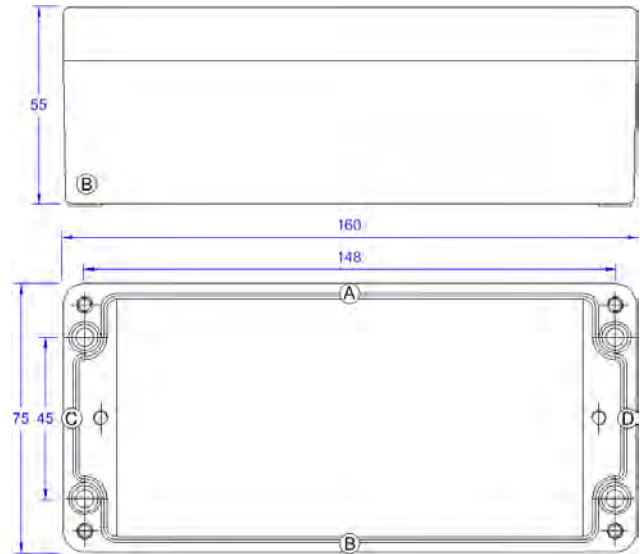
GRP (glass-fibre reinforced polyester) enclosures have proven themselves even in the harshest of environments.

These robust and UV-resistant enclosures can withstand harmful aggressive chemical and mechanical abuse.

The lid with integrated silicon gasket and high corrosion resistive stainless steel captive screws allows easy handling and reliability with a perfect weather seal.

Stainless steel screw inserts are attached to the inside rear surface for ease of securing a terminal rail or mounting plate.

No static charges occur due to the doped conductive carbon black low surface resistance construction.



## Possible Application:

- Ex e / Ex i junction boxes

## Technical Data

Material:	Black GRP
Dimension (mm):	160 x 75 x 55
Fixing centres (mm):	148 x 45 / 4x4,5Ø
Power dissipation:	8,5 Watt @ +40°C 2,8 Watt @ +50°C
for dust Ex:	4,25 Watt @ +40°C 1,4 Watt @ +50°C
Ingress protection:	IP 66
Impact resistance:	7 Joule
Min. ambient temp.:	-60°C
Temperature class:	T6 @ +50°C T5 @ +55°C T4 @ +60°C
Weight:	0,37 kg

## Certificates

ATEX, IECEx, EAC TC-RU, NEMA 4X

## Marking

Empty enclosures:

⊕ Ex II 2G Ex eb IIC / ⊕ Ex II 2D Ex tb IIIC

Terminal Boxes:

⊕ Ex II 2G Ex eb ia IIC/IIB/IIA T6/T5/T4

⊕ Ex II 2D Ex tb IIIC T85°C/T100°C/T120°C

## Quantity of glands

Gland	M16	M20	M25
Side A / B	4	4	0
Side C / D	1	0	0

## Terminals

mm <sup>2</sup>	Mini 2,5		
horizontal rail	1x12		



- High chemical resistance
- International certificates available
- Self-assembly with terminals
- No static charge
- Robust construction
- UV-Resistant

## Description

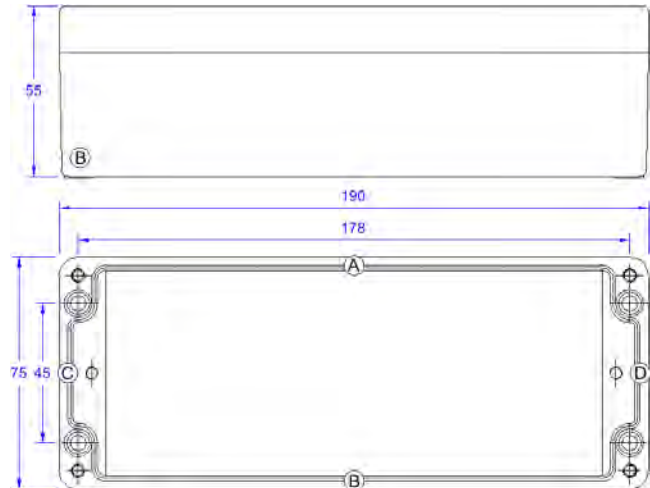
GRP (glass-fibre reinforced polyester) enclosures have proven themselves even in the harshest of environments.

These robust and UV-resistant enclosures can withstand harmful aggressive chemical and mechanical abuse.

The lid with integrated silicon gasket and high corrosion resistive stainless steel captive screws allows easy handling and reliability with a perfect weather seal.

Stainless steel screw inserts are attached to the inside rear surface for ease of securing a terminal rail or mounting plate.

No static charges occur due to the doped conductive carbon black low surface resistance construction.



## Possible Application:

- Ex e / Ex i junction boxes

## Technical Data

Material:	Black GRP
Dimension (mm):	190 x 75 x 55
Fixing centres (mm):	178 x 45 / 4x4,5Ø
Power dissipation:	9,0 Watt @ +40°C 3,0 Watt @ +50°C
for dust Ex:	4,5 Watt @ +40°C 1,5 Watt @ +50°C
Ingress protection:	IP 66
Impact resistance:	7 Joule
Min. ambient temp.:	-60°C
Temperature class:	T6 @ +50°C T5 @ +55°C T4 @ +60°C
Weight:	0,42 kg

## Certificates

ATEX, IECEX, EAC TC-RU, NEMA 4X

## Marking

Empty enclosures:

⊕ Ex II 2G Ex eb IIC / ⊕ Ex II 2D Ex tb IIIC

Terminal Boxes:

⊕ Ex II 2G Ex eb ia IIC/IIB/IIA T6/T5/T4

⊕ Ex II 2D Ex tb IIIC T85°C/T100°C/T120°C

## Quantity of glands

Gland	M16	M20	M25
Side A / B	6	4	0
Side C / D	1	0	0

## Terminals

mm <sup>2</sup>	Mini 2,5		
horizontal rail	1x12		





- High chemical resistance
- International certificates available
- Self-assembly with terminals
- No static charge
- Robust construction
- UV-Resistant

## Description

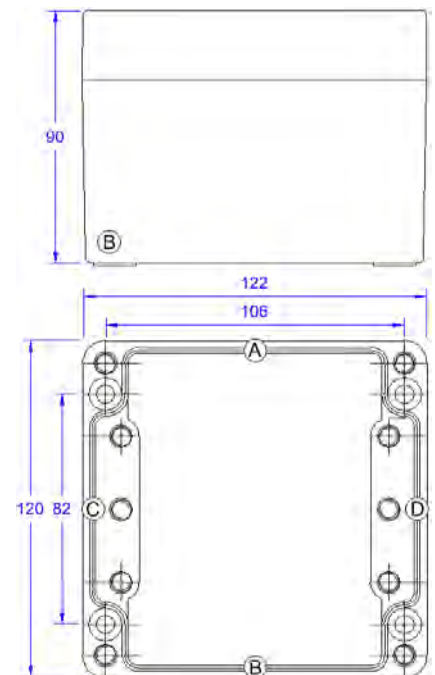
GRP (glass-fibre reinforced polyester) enclosures have proven themselves even in the harshest of environments.

These robust and UV-resistant enclosures can withstand harmful aggressive chemical and mechanical abuse.

The lid with integrated silicon gasket and high corrosion resistive stainless steel captive screws allows easy handling and reliability with a perfect weather seal.

Stainless steel screw inserts are attached to the inside rear surface for ease of securing a terminal rail or mounting plate.

No static charges occur due to the doped conductive carbon black low surface resistance construction.



## Possible Application:

- Ex e / Ex i junction boxes
- Local control stations

## Technical Data

Material:	Black GRP
Dimension (mm):	122 x 120 x 90
Fixing centres (mm):	106 x 82 / 4x6,5Ø
Power dissipation:	11,0 Watt @ +40°C
	3,5 Watt @ +50°C
for dust Ex:	5,5 Watt @ +40°C
	1,75 Watt @ +50°C
Ingress protection:	IP 66
Impact resistance:	7 Joule
Min. ambient temp.:	-60°C
Temperature class:	T6 @ +50°C
	T5 @ +55°C
	T4 @ +60°C
Weight:	0,7 kg

## Certificates

ATEX, IECEx, EAC TC-RU, NEMA 4X

## Marking

Empty enclosures:

⊕ Ex II 2G Ex eb IIC / ⊕ Ex II 2D Ex tb IIIC

Terminal Boxes:

⊕ Ex II 2G Ex eb ia IIC/IIB/IIA T6/T5/T4

⊕ Ex II 2D Ex tb IIIC T85°C/T100°C/T120°C

## Quantity of glands

Gland	M20	M25	M32
Side A / B	2	2	1
Side C / D	1	1	1

## Terminals

mm <sup>2</sup>	2,5	4	6	10
horizontal rail	1x14	1x12	1x9	1x6



- High chemical resistance
- International certificates available
- Self-assembly with terminals
- No static charge
- Robust construction
- UV-Resistant

## Description

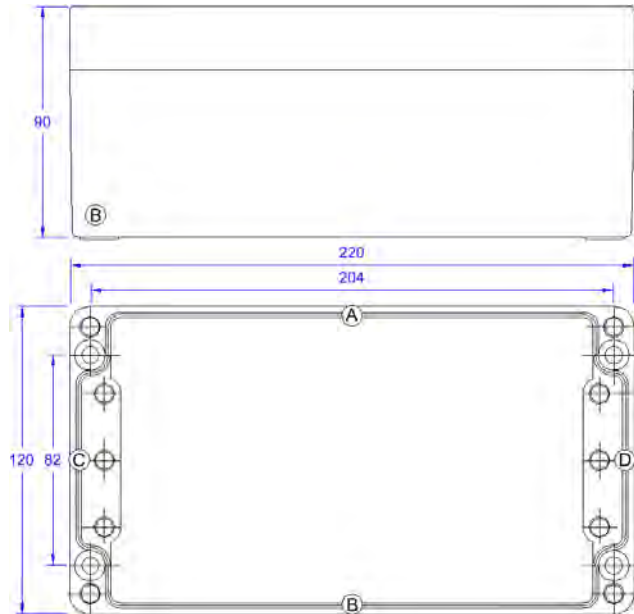
GRP (glass-fibre reinforced polyester) enclosures have proven themselves even in the harshest of environments.

These robust and UV-resistant enclosures can withstand harmful aggressive chemical and mechanical abuse.

The lid with integrated silicon gasket and high corrosion resistive stainless steel captive screws allows easy handling and reliability with a perfect weather seal.

Stainless steel screw inserts are attached to the inside rear surface for ease of securing a terminal rail or mounting plate.

No static charges occur due to the doped conductive carbon black low surface resistance construction.



## Possible Application:

- Ex e / Ex i junction boxes
- Local control stations

## Technical Data

Material:	Black GRP
Dimension (mm):	220 x 120 x 90
Fixing centres (mm):	204 x 82 / 4x6,5Ø
Power dissipation:	14,0 Watt @ +40°C 3,8 Watt @ +50°C
for dust Ex:	7,0 Watt @ +40°C 1,9 Watt @ +50°C
Ingress protection:	IP 66
Impact resistance:	7 Joule
Min. ambient temp.:	-60°C
Temperature class:	T6 @ +50°C T5 @ +55°C T4 @ +60°C
Weight:	1,06 kg

## Certificates

ATEX, IECEX, EAC TC-RU, NEMA 4X

## Marking

Empty enclosures:

⊕ Ex II 2G Ex eb IIC / ⊕ Ex II 2D Ex tb IIIC

Terminal Boxes:

⊕ Ex II 2G Ex eb ia IIC/IIB/IIA T6/T5/T4

⊕ Ex II 2D Ex tb IIIC T85°C/T100°C/T120°C

## Quantity of glands

Gland	M20	M25	M32
Side A / B	5	4	3
Side C / D	1	1	1

## Terminals

mm <sup>2</sup>	2,5	4	6	10
horizontal rail	1x34	1x29	1x21	1x16



- High chemical resistance
- International certificates available
- Self-assembly with terminals
- No static charge
- Robust construction
- UV-Resistant

## Description

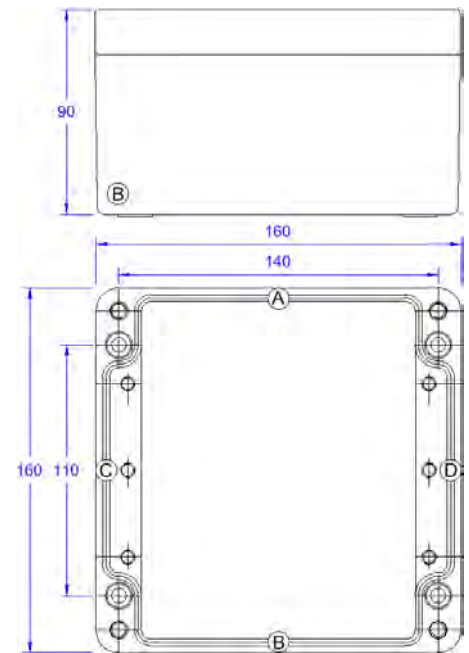
GRP (glass-fibre reinforced polyester) enclosures have proven themselves even in the harshest of environments.

These robust and UV-resistant enclosures can withstand harmful aggressive chemical and mechanical abuse.

The lid with integrated silicon gasket and high corrosion resistive stainless steel captive screws allows easy handling and reliability with a perfect weather seal.

Stainless steel screw inserts are attached to the inside rear surface for ease of securing a terminal rail or mounting plate.

No static charges occur due to the doped conductive carbon black low surface resistance construction.



## Possible Application:

- Ex e / Ex i junction boxes
- Local control stations

## Technical Data

Material:	Black GRP
Dimension (mm):	160 x 160 x 90
Fixing centres (mm):	140 x 110 / 4x6,5Ø
Power dissipation:	15,0 Watt @ +40°C
	4,0 Watt @ +50°C
for dust Ex:	7,5 Watt @ +40°C
	2,0 Watt @ +50°C
Ingress protection:	IP 66
Impact resistance:	7 Joule
Min. ambient temp.:	-60°C
Temperature class:	T6 @ +50°C
	T5 @ +55°C
	T4 @ +60°C
Weight:	1,2 kg

## Certificates

ATEX, IECEx, EAC TC-RU, NEMA 4X

## Marking

Empty enclosures:

⊕ II 2G Ex eb IIC / ⊕ II 2D Ex tb IIIC

Terminal Boxes:

⊕ II 2G Ex eb ia IIC/IIB/IIA T6/T5/T4

⊕ II 2D Ex tb IIIC T85°C/T100°C/T120°C

## Quantity of glands

Gland	M20	M25	M32
Side A / B	3	3	2
Side C / D	2	2	1

## Terminals

mm <sup>2</sup>	2,5	4	6	10
horizontal rail	1x20	1x17	1x12	1x9



- High chemical resistance
- International certificates available
- Self-assembly with terminals
- No static charge
- Robust construction
- UV-Resistant

## Description

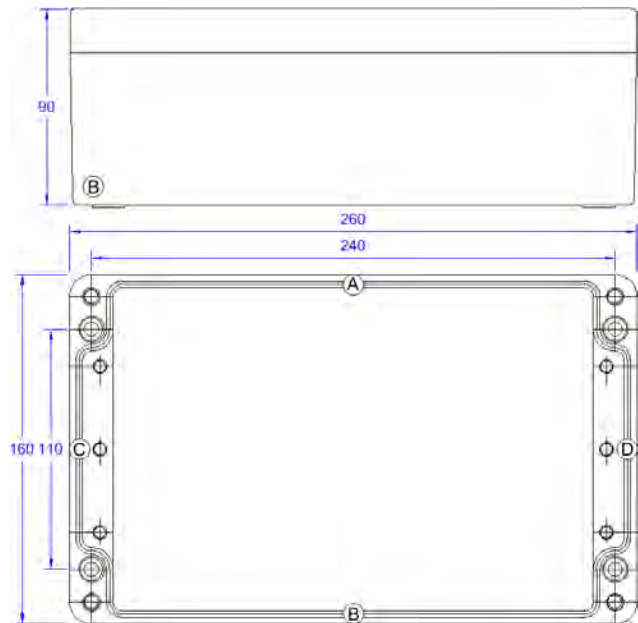
GRP (glass-fibre reinforced polyester) enclosures have proven themselves even in the harshest of environments.

These robust and UV-resistant enclosures can withstand harmful aggressive chemical and mechanical abuse.

The lid with integrated silicon gasket and high corrosion resistive stainless steel captive screws allows easy handling and reliability with a perfect weather seal.

Stainless steel screw inserts are attached to the inside rear surface for ease of securing a terminal rail or mounting plate.

No static charges occur due to the doped conductive carbon black low surface resistance construction.



## Possible Application:

- Ex e / Ex i junction boxes
- Local control stations

## Technical Data

Material:	Black GRP
Dimension (mm):	260 x 160 x 90
Fixing centres (mm):	240 x 110 / 4x6,5Ø
Power dissipation:	20,0 Watt @ +40°C 5,0 Watt @ +50°C
for dust Ex:	10,0 Watt @ +40°C 2,5 Watt @ +50°C
Ingress protection:	IP 66
Impact resistance:	7 Joule
Min. ambient temp.:	-60°C
Temperature class:	T6 @ +50°C T5 @ +55°C T4 @ +60°C
Weight:	1,68 kg

## Certificates

ATEX, IECEX, EAC TC-RU, NEMA 4X

## Marking

Empty enclosures:

⊕ Ex II 2G Ex eb IIC / ⊕ Ex II 2D Ex tb IIIC

Terminal Boxes:

⊕ Ex II 2G Ex eb ia IIC/IIB/IIA T6/T5/T4

⊕ Ex II 2D Ex tb IIIC T85°C/T100°C/T120°C

## Quantity of glands

Gland	M20	M25	M32
Side A / B	6	5	4
Side C / D	2	2	1

## Terminals

mm <sup>2</sup>	2,5	4	6	10
horizontal rail	1x40	1x34	1x25	1x19



- High chemical resistance
- International certificates available
- Self-assembly with terminals
- No static charge
- Robust construction
- UV-Resistant

## Description

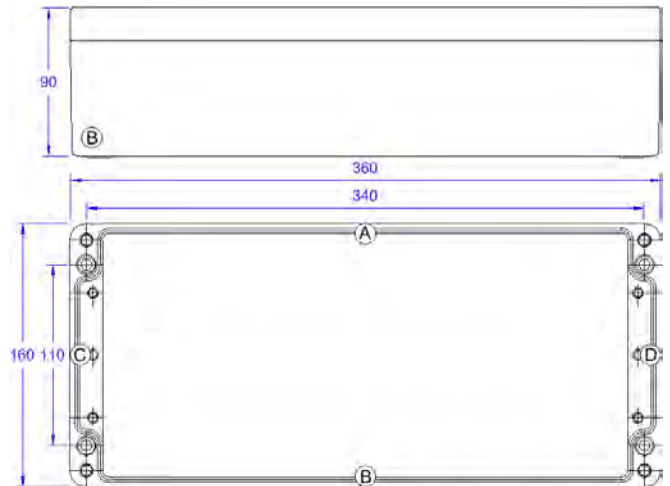
GRP (glass-fibre reinforced polyester) enclosures have proven themselves even in the harshest of environments.

These robust and UV-resistant enclosures can withstand harmful aggressive chemical and mechanical abuse.

The lid with integrated silicon gasket and high corrosion resistive stainless steel captive screws allows easy handling and reliability with a perfect weather seal.

Stainless steel screw inserts are attached to the inside rear surface for ease of securing a terminal rail or mounting plate.

No static charges occur due to the doped conductive carbon black low surface resistance construction.



## Possible Application:

- Ex e / Ex i junction boxes
- Local control stations

## Technical Data

Material:	Black GRP
Dimension (mm):	360 x 160 x 90
Fixing centres (mm):	340 x 110 / 4x6,5Ø
Power dissipation:	25,0 Watt @ +40°C 5,4 Watt @ +50°C
for dust Ex:	12,5 Watt @ +40°C 2,7 Watt @ +50°C
Ingress protection:	IP 66
Impact resistance:	7 Joule
Min. ambient temp.:	-60°C
Temperature class:	T6 @ +50°C T5 @ +55°C T4 @ +60°C
Weight:	2,23 kg

## Certificates

ATEX, IECEx, EAC TC-RU, NEMA 4X

## Marking

Empty enclosures:

⊕ Ex II 2G Ex eb IIC / ⊕ Ex II 2D Ex tb IIIC

Terminal Boxes:

⊕ Ex II 2G Ex eb ia IIC/IIB/IIA T6/T5/T4

⊕ Ex II 2D Ex tb IIIC T85°C/T100°C/T120°C

## Quantity of glands

Gland	M20	M25	M32
Side A / B	9	8	6
Side C / D	2	2	1

## Terminals

mm <sup>2</sup>	2,5	4	6	10
horizontal rail	1x60	1x51	1x37	1x29

# QX-P10

Ex approved black GRP enclosures



Ex e / Ex i terminal boxes



- High chemical resistance
- International certificates available
- Self-assembly with terminals
- No static charge
- Robust construction
- UV-Resistant

## Description

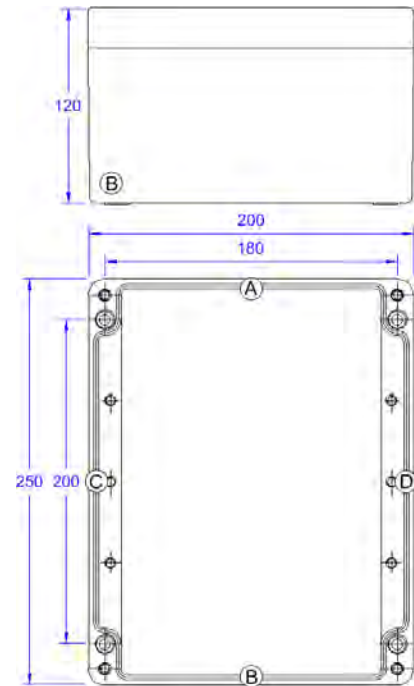
GRP (glass-fibre reinforced polyester) enclosures have proven themselves even in the harshest of environments.

These robust and UV-resistant enclosures can withstand harmful aggressive chemical and mechanical abuse.

The lid with integrated silicon gasket and high corrosion resistive stainless steel captive screws allows easy handling and reliability with a perfect weather seal.

Stainless steel screw inserts are attached to the inside rear surface for ease of securing a terminal rail or mounting plate.

No static charges occur due to the doped conductive carbon black low surface resistance construction.



## Possible Application:

- Ex e / Ex i junction boxes
- Local control stations

## Technical Data

Material:	Black GRP
Dimension (mm):	200 x 250 x 120
Fixing centres (mm):	180 x 200 / 4x6,5Ø
Power dissipation:	27,0 Watt @ +40°C 5,6 Watt @ +50°C
for dust Ex:	13,5 Watt @ +40°C 2,8 Watt @ +50°C
Ingress protection:	IP 66
Impact resistance:	7 Joule
Min. ambient temp.:	-60°C
Temperature class:	T6 @ +50°C T5 @ +55°C T4 @ +60°C
Weight:	2,28 kg

## Certificates

ATEX, IECEX, EAC TC-RU, NEMA 4X

## Marking

Empty enclosures:

⊕ Ex II 2G Ex eb IIC / ⊕ Ex II 2D Ex tb IIIC

Terminal Boxes:

⊕ Ex II 2G Ex eb ia IIC/IIB/IIA T6/T5/T4

⊕ Ex II 2D Ex tb IIIC T85°C/T100°C/T120°C

## Quantity of glands

Gland	M20	M25	M32
Side A / B	8	8	3
Side C / D	10	8	3

## Terminals

mm <sup>2</sup>	2,5	4	6	10
horizontal rail	2x32	2x26	2x18	2x14



- High chemical resistance
- International certificates available
- Self-assembly with terminals
- No static charge
- Robust construction
- UV-Resistant

## Description

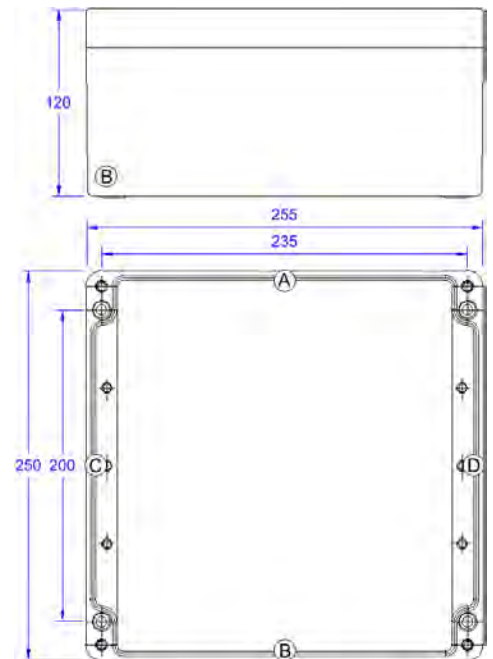
GRP (glass-fibre reinforced polyester) enclosures have proven themselves even in the harshest of environments.

These robust and UV-resistant enclosures can withstand harmful aggressive chemical and mechanical abuse.

The lid with integrated silicon gasket and high corrosion resistive stainless steel captive screws allows easy handling and reliability with a perfect weather seal.

Stainless steel screw inserts are attached to the inside rear surface for ease of securing a terminal rail or mounting plate.

No static charges occur due to the doped conductive carbon black low surface resistance construction.



## Possible Application:

- Ex e / Ex i junction boxes
- Local control stations

## Technical Data

Material:	Black GRP
Dimension (mm):	255 x 250 x 120
Fixing centres (mm):	235 x 200 / 4x6,5Ø
Power dissipation:	35,0 Watt @ +40°C 6,7 Watt @ +50°C
for dust Ex:	17,5 Watt @ +40°C 3,35 Watt @ +50°C
Ingress protection:	IP 66
Impact resistance:	7 Joule
Min. ambient temp.:	-60°C
Temperature class:	T6 @ +50°C T5 @ +55°C T4 @ +60°C
Weight:	2,7 kg

## Certificates

ATEX, IECEx, EAC TC-RU, NEMA 4X

## Marking

Empty enclosures:

⊕ II 2G Ex eb IIC / ⊕ II 2D Ex tb IIIC

Terminal Boxes:

⊕ II 2G Ex eb ia IIC/IIB/IIA T6/T5/T4

⊕ II 2D Ex tb IIIC T85°C/T100°C/T120°C

## Quantity of glands

Gland	M20	M25	M32
Side A / B	12	10	4
Side C / D	10	8	3

## Terminals

mm <sup>2</sup>	2,5	4	6	10
horizontal rail	2x39	2x33	2x24	2x18

# QX-P11H

Ex approved black GRP enclosures



Ex e / Ex i terminal boxes



- High chemical resistance
- International certificates available
- Self-assembly with terminals
- No static charge
- Robust construction
- UV-Resistant

## Description

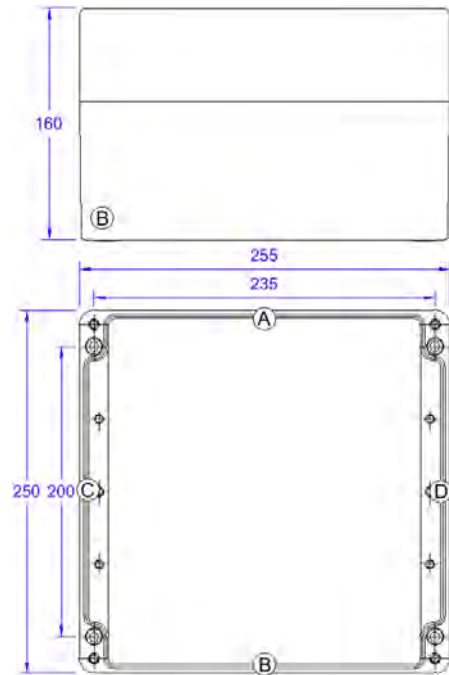
GRP (glass-fibre reinforced polyester) enclosures have proven themselves even in the harshest of environments.

These robust and UV-resistant enclosures can withstand harmful aggressive chemical and mechanical abuse.

The lid with integrated silicon gasket and high corrosion resistive stainless steel captive screws allows easy handling and reliability with a perfect weather seal.

Stainless steel screw inserts are attached to the inside rear surface for ease of securing a terminal rail or mounting plate.

No static charges occur due to the doped conductive carbon black low surface resistance construction.



## Possible Application:

- Ex e / Ex i junction boxes
- Local control stations

## Technical Data

Material:	Black GRP
Dimension (mm):	255 x 250 x 160
Fixing centres (mm):	235 x 200 / 4x6,5Ø
Power dissipation:	38,0 Watt @ +40°C 7,1 Watt @ +50°C
for dust Ex:	19,0 Watt @ +40°C 3,55 Watt @ +50°C
Ingress protection:	IP 66
Impact resistance:	7 Joule
Min. ambient temp.:	-60°C
Temperature class:	T6 @ +50°C T5 @ +55°C T4 @ +60°C
Weight:	3,46 kg

## Certificates

ATEX, IECEx, EAC TC-RU, NEMA 4X

## Marking

Empty enclosures:

Ex II 2G Ex eb IIC / Ex II 2D Ex tb IIIC

Terminal Boxes:

Ex II 2G Ex eb ia IIC/IIB/IIA T6/T5/T4

Ex II 2D Ex tb IIIC T85°C/T100°C/T120°C

## Quantity of glands

Gland	M20	M25	M32
Side A / B	12	10	4
Side C / D	10	8	3

## Terminals

mm <sup>2</sup>	2,5	4	6	10
horizontal rail	2x39	2x33	2x24	2x18





- High chemical resistance
- International certificates available
- Self-assembly with terminals
- No static charge
- Robust construction
- UV-Resistant

## Description

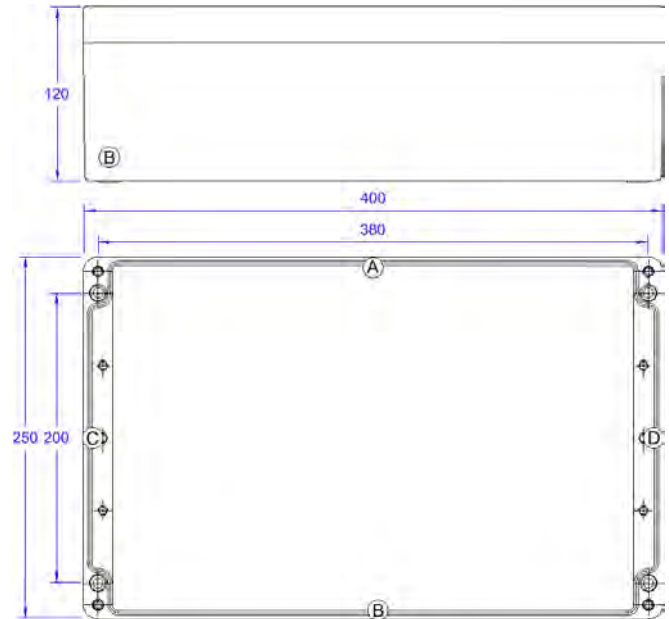
GRP (glass-fibre reinforced polyester) enclosures have proven themselves even in the harshest of environments.

These robust and UV-resistant enclosures can withstand harmful aggressive chemical and mechanical abuse.

The lid with integrated silicon gasket and high corrosion resistive stainless steel captive screws allows easy handling and reliability with a perfect weather seal.

Stainless steel screw inserts are attached to the inside rear surface for ease of securing a terminal rail or mounting plate.

No static charges occur due to the doped conductive carbon black low surface resistance construction.



## Possible Application:

- Ex e / Ex i junction boxes
- Local control stations

## Technical Data

Material:	Black GRP
Dimension (mm):	400 x 250 x 120
Fixing centres (mm):	380 x 200 / 4x6,5Ø
Power dissipation:	46,0 Watt @ +40°C 7,9 Watt @ +50°C
for dust Ex:	23,0 Watt @ +40°C 3,95 Watt @ +50°C
Ingress protection:	IP 66
Impact resistance:	7 Joule
Min. ambient temp.:	-60°C
Temperature class:	T6 @ +50°C T5 @ +55°C T4 @ +60°C
Weight:	3,6 kg

## Certificates

ATEX, IECEx, EAC TC-RU, NEMA 4X

## Marking

Empty enclosures:

⊕ Ex II 2G Ex eb IIC / ⊕ Ex II 2D Ex tb IIIC

Terminal Boxes:

⊕ Ex II 2G Ex eb ia IIC/IIB/IIA T6/T5/T4

⊕ Ex II 2D Ex tb IIIC T85°C/T100°C/T120°C

## Quantity of glands

Gland	M20	M25	M32
Side A / B	20	18	7
Side C / D	10	8	3

## Terminals

mm <sup>2</sup>	2,5	4	6	10
horizontal rail	2x68	2x57	2x42	2x33



- High chemical resistance
- International certificates available
- Self-assembly with terminals
- No static charge
- Robust construction
- UV-Resistant

## Description

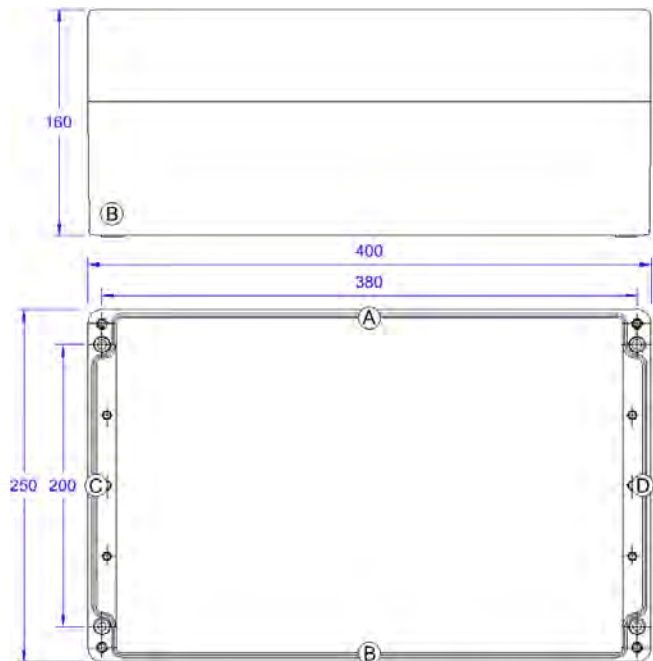
GRP (glass-fibre reinforced polyester) enclosures have proven themselves even in the harshest of environments.

These robust and UV-resistant enclosures can withstand harmful aggressive chemical and mechanical abuse.

The lid with integrated silicon gasket and high corrosion resistive stainless steel captive screws allows easy handling and reliability with a perfect weather seal.

Stainless steel screw inserts are attached to the inside rear surface for ease of securing a terminal rail or mounting plate.

No static charges occur due to the doped conductive carbon black low surface resistance construction.



## Possible Application:

- Ex e / Ex i junction boxes
- Local control stations

## Technical Data

Material:	Black GRP
Dimension (mm):	400 x 250 x 160
Fixing centres (mm):	380 x 200 / 4x6,5Ø
Power dissipation:	51,0 Watt @ +40°C 8,5 Watt @ +50°C
for dust Ex:	25,5 Watt @ +40°C 4,25 Watt @ +50°C
Ingress protection:	IP 66
Impact resistance:	7 Joule
Min. ambient temp.:	-60°C
Temperature class:	T6 @ +50°C T5 @ +55°C T4 @ +60°C
Weight:	4,54 kg

## Certificates

ATEX, IECEX, EAC TC-RU, NEMA 4X

## Marking

Empty enclosures:

⊕ Ex II 2G Ex eb IIC / ⊕ Ex II 2D Ex tb IIIC

Terminal Boxes:

⊕ Ex II 2G Ex eb ia IIC/IIB/IIA T6/T5/T4

⊕ Ex II 2D Ex tb IIIC T85°C/T100°C/T120°C

## Quantity of glands

Gland	M20	M25	M32
Side A / B	20	18	7
Side C / D	10	8	3

## Terminals

mm <sup>2</sup>	2,5	4	6	10
horizontal rail	2x68	2x57	2x42	2x33



- High chemical resistance
- International certificates available
- Self-assembly with terminals
- No static charge
- Robust construction
- UV-Resistant

## Description

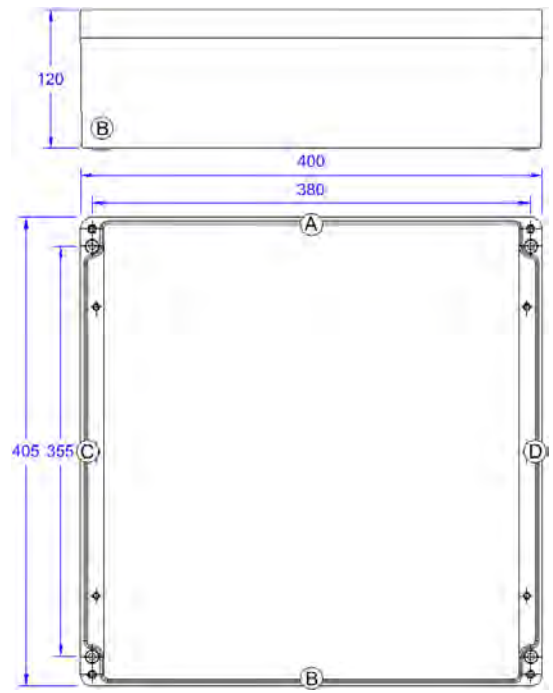
GRP (glass-fibre reinforced polyester) enclosures have proven themselves even in the harshest of environments.

These robust and UV-resistant enclosures can withstand harmful aggressive chemical and mechanical abuse.

The lid with integrated silicon gasket and high corrosion resistive stainless steel captive screws allows easy handling and reliability with a perfect weather seal.

Stainless steel screw inserts are attached to the inside rear surface for ease of securing a terminal rail or mounting plate.

No static charges occur due to the doped conductive carbon black low surface resistance construction.



## Possible Application:

- Ex e / Ex i junction boxes
- Local control stations

## Technical Data

Material:	Black GRP
Dimension (mm):	405 x 400 x 120
Fixing centres (mm):	380 x 355 / 4x6,5Ø
Power dissipation:	65,0 Watt @ +40°C 11,0 Watt @ +50°C
for dust Ex:	32,5 Watt @ +40°C 5,5 Watt @ +50°C
Ingress protection:	IP 66
Impact resistance:	7 Joule
Min. ambient temp.:	-60°C
Temperature class:	T6 @ +50°C T5 @ +55°C T4 @ +60°C
Weight:	5,14 kg

## Certificates

ATEX, IECEx, EAC TC-RU, NEMA 4X

## Marking

Empty enclosures:

⊕ II 2G Ex eb IIC / ⊕ II 2D Ex tb IIIC

Terminal Boxes:

⊕ II 2G Ex eb ia IIC/IIB/IIA T6/T5/T4

⊕ II 2D Ex tb IIIC T85°C/T100°C/T120°C

## Quantity of glands

Gland	M20	M25	M32
Side A / B	20	18	7
Side C / D	18	16	6

## Terminals

mm <sup>2</sup>	2,5	4	6	10
horizontal rail	3x68	3x57	3x42	3x33



- High chemical resistance
- International certificates available
- Self-assembly with terminals
- No static charge
- Robust construction
- UV-Resistant

## Description

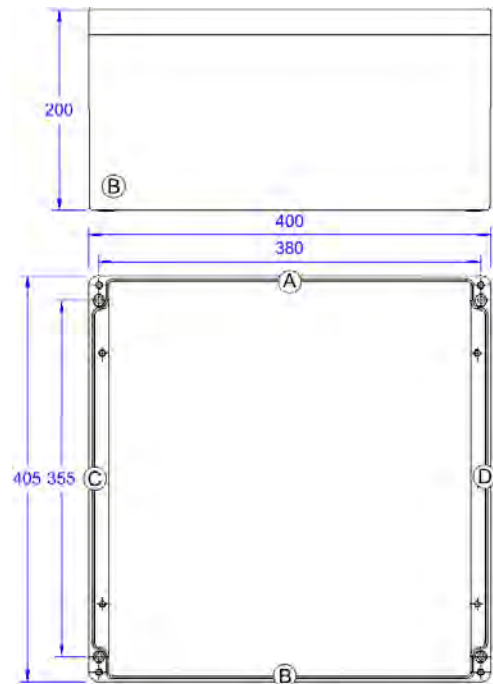
GRP (glass-fibre reinforced polyester) enclosures have proven themselves even in the harshest of environments.

These robust and UV-resistant enclosures can withstand harmful aggressive chemical and mechanical abuse.

The lid with integrated silicon gasket and high corrosion resistive stainless steel captive screws allows easy handling and reliability with a perfect weather seal.

Stainless steel screw inserts are attached to the inside rear surface for ease of securing a terminal rail or mounting plate.

No static charges occur due to the doped conductive carbon black low surface resistance construction.



## Possible Application:

- Ex e / Ex i junction boxes
- Local control stations

## Technical Data

Material:	Black GRP
Dimension (mm):	405 x 400 x 200
Fixing centres (mm):	380 x 355 / 4x6,5Ø
Power dissipation:	70,0 Watt @ +40°C 10,5 Watt @ +50°C
for dust Ex:	35,0 Watt @ +40°C 5,25 Watt @ +50°C
Ingress protection:	IP 66
Impact resistance:	7 Joule
Min. ambient temp.:	-60°C
Temperature class:	T6 @ +50°C T5 @ +55°C T4 @ +60°C
Weight:	6,3 kg

## Certificates

ATEX, IECEx, EAC TC-RU, NEMA 4X

## Marking

Empty enclosures:

⊕ Ex II 2G Ex eb IIC / ⊕ Ex II 2D Ex tb IIIC

Terminal Boxes:

⊕ Ex II 2G Ex eb ia IIC/IIB/IIA T6/T5/T4

⊕ Ex II 2D Ex tb IIIC T85°C/T100°C/T120°C

## Quantity of glands

Gland	M20	M25	M32
Side A / B	40	36	21
Side C / D	36	32	18

## Terminals

mm <sup>2</sup>	2,5	4	6	10
horizontal rail	3x68	3x57	3x42	3x33



- High chemical resistance
- International certificates available
- Self-assembly with terminals
- No static charge
- Robust construction
- UV-Resistant

## Description

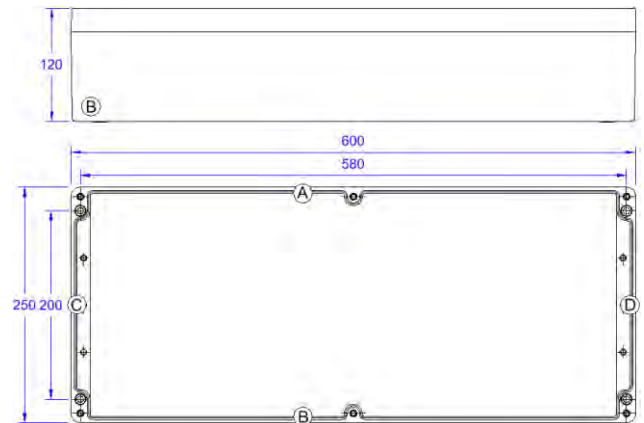
GRP (glass-fibre reinforced polyester) enclosures have proven themselves even in the harshest of environments.

These robust and UV-resistant enclosures can withstand harmful aggressive chemical and mechanical abuse.

The lid with integrated silicon gasket and high corrosion resistive stainless steel captive screws allows easy handling and reliability with a perfect weather seal.

Stainless steel screw inserts are attached to the inside rear surface for ease of securing a terminal rail or mounting plate.

No static charges occur due to the doped conductive carbon black low surface resistance construction.



## Possible Application:

- Ex e / Ex i junction boxes
- Local control stations

## Technical Data

Material:	Black GRP
Dimension (mm):	600 x 250 x 120
Fixing centres (mm):	580 x 200 / 4x6,5Ø
Power dissipation:	63,0 Watt @ +40°C 10,2 Watt @ +50°C
for dust Ex:	31,5 Watt @ +40°C 5,1 Watt @ +50°C
Ingress protection:	IP 66
Impact resistance:	7 Joule
Min. ambient temp.:	-60°C
Temperature class:	T6 @ +50°C T5 @ +55°C T4 @ +60°C
Weight:	5,32 kg

## Certificates

ATEX, IECEx, EAC TC-RU, NEMA 4X

## Marking

Empty enclosures:

Ex II 2G Ex eb IIC / Ex II 2D Ex tb IIIC

Terminal Boxes:

Ex II 2G Ex eb ia IIC/IIB/IIA T6/T5/T4

Ex II 2D Ex tb IIIC T85°C/T100°C/T120°C

## Quantity of glands

Gland	M20	M25	M32
Side A / B	30	26	10
Side C / D	10	8	3

## Terminals

mm <sup>2</sup>	2,5	4	6	10
horizontal rail	2x108	2x90	2x62	2x45



- High chemical resistance
- International certificates available
- Self-assembly with terminals
- No static charge
- Robust construction
- UV-Resistant

## Description

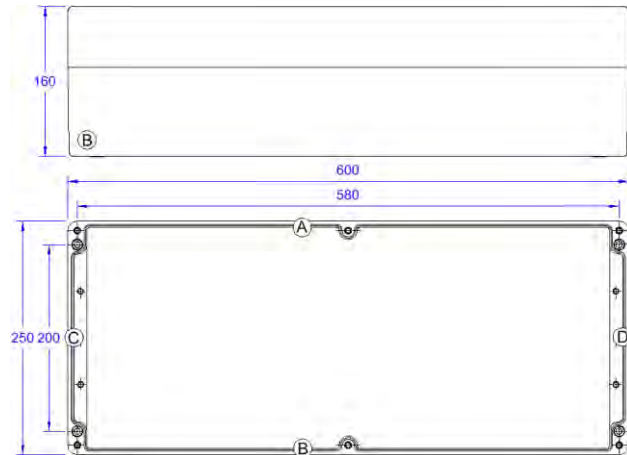
GRP (glass-fibre reinforced polyester) enclosures have proven themselves even in the harshest of environments.

These robust and UV-resistant enclosures can withstand harmful aggressive chemical and mechanical abuse.

The lid with integrated silicon gasket and high corrosion resistive stainless steel captive screws allows easy handling and reliability with a perfect weather seal.

Stainless steel screw inserts are attached to the inside rear surface for ease of securing a terminal rail or mounting plate.

No static charges occur due to the doped conductive carbon black low surface resistance construction.



## Possible Application:

- Ex e / Ex i junction boxes
- Local control stations

## Technical Data

Material:	Black GRP
Dimension (mm):	600 x 250 x 160
Fixing centres (mm):	580 x 200 / 4x6,5Ø
Power dissipation:	68,0 Watt @ +40°C 10,4 Watt @ +50°C
for dust Ex:	34,0 Watt @ +40°C 5,2 Watt @ +50°C
Ingress protection:	IP 66
Impact resistance:	7 Joule
Min. ambient temp.:	-60°C
Temperature class:	T6 @ +50°C T5 @ +55°C T4 @ +60°C
Weight:	6,46 kg

## Certificates

ATEX, IECEx, EAC TC-RU, NEMA 4X

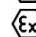
## Marking

Empty enclosures:

 II 2G Ex eb IIC /  II 2D Ex tb IIIC

Terminal Boxes:

 II 2G Ex eb ia IIC/IIB/IIA T6/T5/T4

 II 2D Ex tb IIIC T85°C/T100°C/T120°C

## Quantity of glands

Gland	M20	M25	M32
Side A / B	30	26	10
Side C / D	10	8	3

## Terminals

mm <sup>2</sup>	2,5	4	6	10
horizontal rail	2x108	2x90	2x62	2x45

# QX-P...Terminal Configuration



Polyester enclosures

Ex e / Ex i terminal boxes

Mixed configuration can be determined by percentage calculation

E.g.: QX-P5: 8 x 2,5 with 16 A = 50%  
 2 x 4 with 35 A = 40%  
 Result = 90% -> OK

		QX-P1 (80 x 75 x 55 mm)															
		Querschnitt / Cross-section in mm <sup>2</sup>															
		1,5	2,5	4	6	10	16	25	35	50	70	95	120	150	185	240	300
Strom [A] Current [A]																	
6																	
10	26																
16	9	17	69														
20	3	10	20														
25		4	11	21													
35			3	8	21												
50					6	17											
63					2	8	29										
80						3	9	32									
100							3	8									
125								3	8								
160									3	7							
200										2	6	20					
225											3	8					
250											2	4	10				
315												2	6				
400															4	12	
500																	2

In diesem Bereich kann unter Beachtung der Hinweise und der festgelegten Einbaumaße im Gehäuse beliebig zusätzlich bestückt werden.  
*In this area you can add terminals in notice of the references and the defined assembly dimensions of the enclosure*

Bestückungen in diesem Bereich erfordern einen gesonderten Erwärmungsnachweis.  
*You need proof of warming for adding terminals in this area.*

		QX-P2 (110 x 75 x 55 mm)															
		Querschnitt / Cross-section in mm <sup>2</sup>															
		1,5	2,5	4	6	10	16	25	35	50	70	95	120	150	185	240	300
Strom [A] Current [A]																	
6																	
10	27																
16	9	18	72														
20	4	10	20														
25		5	11	22													
35			3	8	22												
50					7	18											
63					2	8	30										
80						3	9	33									
100							4	8									
125								3	9								
160									3	8							
200										2	6	21					
225											4	8					
250											2	5	10				
315												3	6				
400															4	12	
500																	2

In diesem Bereich kann unter Beachtung der Hinweise und der festgelegten Einbaumaße im Gehäuse beliebig zusätzlich bestückt werden.  
*In this area you can add terminals in notice of the references and the defined assembly dimensions of the enclosure*

Bestückungen in diesem Bereich erfordern einen gesonderten Erwärmungsnachweis.  
*You need proof of warming for adding terminals in this area.*

# QX-P...Terminal Configuration



Polyester enclosures

Ex e / Ex i terminal boxes

		QX-P3 (160 x 75 x 55 mm)															
		Querschnitt / Cross-section in mm <sup>2</sup>															
		1,5	2,5	4	6	10	16	25	35	50	70	95	120	150	185	240	300
Strom [A]	Current [A]																
6																	
10	28																
16	9	18	73														
20	4	11	21														
25		5	12	23													
35			3	9	22												
50					7	18											
63					2	8	30										
80						3	9	34									
100							4	9									
125								3	9								
160									3	8							
200										2	7	21					
225											4	8					
250											2	5	10				
315												3	6				
400																4	12
500																	2

In diesem Bereich kann unter Beachtung der Hinweise und der festgelegten Einbaumaße im Gehäuse beliebig zusätzlich bestückt werden.  
*In this area you can add terminals in notice of the references and the defined assembly dimensions of the enclosure*

Bestückungen in diesem Bereich erfordern einen gesonderten Erwärmungsnachweis.  
*You need proof of warming for adding terminals in this area.*

		QX-P4 (190 x 75 x 55 mm)															
		Querschnitt / Cross-section in mm <sup>2</sup>															
		1,5	2,5	4	6	10	16	25	35	50	70	95	120	150	185	240	300
Strom [A]	Current [A]																
6																	
10	28																
16	9	18	73														
20	4	11	21														
25		5	12	23													
35			3	9	22												
50					7	18											
63					2	8	30										
80						3	9	34									
100							4	9									
125								3	9								
160									3	8							
200										2	7	21					
225											4	8					
250											2	5	10				
315												3	6				
400																4	12
500																	2

In diesem Bereich kann unter Beachtung der Hinweise und der festgelegten Einbaumaße im Gehäuse beliebig zusätzlich bestückt werden.  
*In this area you can add terminals in notice of the references and the defined assembly dimensions of the enclosure*

Bestückungen in diesem Bereich erfordern einen gesonderten Erwärmungsnachweis.  
*You need proof of warming for adding terminals in this area.*



# QX-P...Terminal Configuration

Erfahrung ist Zukunft



Polyester enclosures

Ex e / Ex i terminal boxes

		QX-P5 (122 x 120 x 90 mm)															
		Querschnitt / Cross-section in mm <sup>2</sup>															
		1,5	2,5	4	6	10	16	25	35	50	70	95	120	150	185	240	300
Strom [A] Current [A]																	
6																	
10	43																
16	14	28	110														
20	6	16	32														
25		7	18	35													
35			5	13	34												
50				2	11	28											
63					3	13	46										
80						5	14	52									
100							6	13									
125								5	13								
160									4	12							
200										4	10	32					
225											6	12					
250											3	7	16				
315													4	9			
400														2	6	19	
500																	3

In diesem Bereich kann unter Beachtung der Hinweise und der festgelegten Einbaumaße im Gehäuse beliebig zusätzlich bestückt werden.  
*In this area you can add terminals in notice of the references and the defined assembly dimensions of the enclosure*

Bestückungen in diesem Bereich erfordern einen gesonderten Erwärmungsnachweis.  
*You need proof of warming for adding terminals in this area.*

		QX-P6 (220 x 120 x 90 mm)															
		Querschnitt / Cross-section in mm <sup>2</sup>															
		1,5	2,5	4	6	10	16	25	35	50	70	95	120	150	185	240	300
Strom [A] Current [A]																	
6																	
10	45																
16	15	30	118														
20	6	17	34														
25		8	19	37													
35			5	14	36												
50				2	11	30											
63					4	14	49										
80						5	15	55									
100							6	14									
125								5	14								
160									5	13							
200										4	11	35					
225											6	13					
250											3	8	17				
315													5	10			
400														2	7	20	
500																	4

In diesem Bereich kann unter Beachtung der Hinweise und der festgelegten Einbaumaße im Gehäuse beliebig zusätzlich bestückt werden.  
*In this area you can add terminals in notice of the references and the defined assembly dimensions of the enclosure*

Bestückungen in diesem Bereich erfordern einen gesonderten Erwärmungsnachweis.  
*You need proof of warming for adding terminals in this area.*

# QX-P...Terminal Configuration

Polyester enclosures

Ex e / Ex i terminal boxes

		QX-P7 (160 x 160 x 90 mm)															
		Querschnitt / Cross-section in mm <sup>2</sup>															
		1,5	2,5	4	6	10	16	25	35	50	70	95	120	150	185	240	300
Strom [A]	Current [A]																
	6																
	10	48															
	16	16	32	125													
	20	6	18	36													
	25		9	20	39												
	35			6	15	38											
	50				2	12	31										
	63					4	14	52									
	80						5	16	58								
	100							7	15								
	125								6	15							
	160									5	13						
	200										5	12	37				
	225											6	14				
	250											3	8	18			
	315												5	11			
	400													2	7	22	
	500																4

In diesem Bereich kann unter Beachtung der Hinweise und der festgelegten Einbaumaße im Gehäuse beliebig zusätzlich bestückt werden.  
In this area you can add terminals in notice of the references and the defined assembly dimensions of the enclosure

Bestückungen in diesem Bereich erfordern einen gesonderten Erwärmungsnachweis.  
You need proof of warming for adding terminals in this area.

		QX-P8 (260 x 160 x 90 mm)															
		Querschnitt / Cross-section in mm <sup>2</sup>															
		1,5	2,5	4	6	10	16	25	35	50	70	95	120	150	185	240	300
Strom [A]	Current [A]																
	6																
	10	52															
	16	18	34	135													
	20	7	20	39													
	25		9	22	42												
	35			6	16	41											
	50				2	13	34										
	63					4	16	56									
	80						6	17	63								
	100							7	16								
	125								6	17							
	160									5	15						
	200										5	13	40				
	225											2	7	15			
	250												4	9	20		
	315													2	5	12	
	400														2	8	23
	500																4

In diesem Bereich kann unter Beachtung der Hinweise und der festgelegten Einbaumaße im Gehäuse beliebig zusätzlich bestückt werden.  
In this area you can add terminals in notice of the references and the defined assembly dimensions of the enclosure

Bestückungen in diesem Bereich erfordern einen gesonderten Erwärmungsnachweis.  
You need proof of warming for adding terminals in this area.

# QX-P...Terminal Configuration

Erfahrung ist Zukunft



Polyester enclosures

Ex e / Ex i terminal boxes

		QX-P9 (360 x 160 x 90 mm)															
		Querschnitt / Cross-section in mm <sup>2</sup>															
		1,5	2,5	4	6	10	16	25	35	50	70	95	120	150	185	240	300
Strom [A] Current [A]																	
6																	
10	53																
16	18	35	138														
20	7	20	40														
25		9	22	43													
35			6	17	42												
50				2	13	35											
63					4	16	58										
80						6	18	64									
100							7	17									
125								6	17								
160									6	15							
200										5	13	40					
225										2	7	16					
250											4	9	20				
315												2	5	12			
400													2	8	24		
500																4	

In diesem Bereich kann unter Beachtung der Hinweise und der festgelegten Einbaumaße im Gehäuse beliebig zusätzlich bestückt werden.  
*In this area you can add terminals in notice of the references and the defined assembly dimensions of the enclosure*

Bestückungen in diesem Bereich erfordern einen gesonderten Erwärmungsnachweis.  
*You need proof of warming for adding terminals in this area.*

		QX-P10 (200 x 250 x 120 mm)															
		Querschnitt / Cross-section in mm <sup>2</sup>															
		1,5	2,5	4	6	10	16	25	35	50	70	95	120	150	185	240	300
Strom [A] Current [A]																	
6																	
10	65																
16	22	43	169														
20	9	25	49														
25		12	27	53													
35			8	21	52												
50				3	17	43											
63					5	20	71										
80						7	22	79									
100							9	21									
125								8	21								
160									7	18							
200										6	16	50					
225										2	9	19					
250											5	12	25				
315												2	7	14			
400													3	10	29		
500																5	

In diesem Bereich kann unter Beachtung der Hinweise und der festgelegten Einbaumaße im Gehäuse beliebig zusätzlich bestückt werden.  
*In this area you can add terminals in notice of the references and the defined assembly dimensions of the enclosure*

Bestückungen in diesem Bereich erfordern einen gesonderten Erwärmungsnachweis.  
*You need proof of warming for adding terminals in this area.*

# QX-P...Terminal Configuration



Polyester enclosures

Ex e / Ex i terminal boxes

QX-P11 (255 x 250 x 120 mm)																	
		Querschnitt / Cross-section in mm <sup>2</sup>															
		1,5	2,5	4	6	10	16	25	35	50	70	95	120	150	185	240	300
Strom [A] Current [A]																	
6																	
10	70																
16	24	46	181														
20	10	27	52														
25		13	29	57													
35			8	22	55												
50				3	18	46											
63					6	21	76										
80						8	23	85									
100							10	22									
125								9	22								
160									7	20							
200										7	17	53					
225											2	10	21				
250												5	12	26			
315													2	7	16		
400															3	11	32
500																	6

In diesem Bereich kann unter Beachtung der Hinweise und der festgelegten Einbaumaße im Gehäuse beliebig zusätzlich bestückt werden.  
*In this area you can add terminals in notice of the references and the defined assembly dimensions of the enclosure*

Bestückungen in diesem Bereich erfordern einen gesonderten Erwärmungsnachweis.  
*You need proof of warming for adding terminals in this area.*

QX-P11H (255 x 250 x 160 mm)																	
		Querschnitt / Cross-section in mm <sup>2</sup>															
		1,5	2,5	4	6	10	16	25	35	50	70	95	120	150	185	240	300
Strom [A] Current [A]																	
6																	
10	81																
16	28	54	210														
20	11	31	61														
25		15	34	66													
35			10	26	65												
50				3	21	53											
63					7	25	88										
80						9	27	99									
100							12	26									
125								10	26								
160									9	23							
200										8	20	62					
225											3	11	24				
250												6	15	31			
315													3	9	18		
400															4	12	37
500																	7

In diesem Bereich kann unter Beachtung der Hinweise und der festgelegten Einbaumaße im Gehäuse beliebig zusätzlich bestückt werden.  
*In this area you can add terminals in notice of the references and the defined assembly dimensions of the enclosure*

Bestückungen in diesem Bereich erfordern einen gesonderten Erwärmungsnachweis.  
*You need proof of warming for adding terminals in this area.*

# QX-P...Terminal Configuration

Erfahrung ist Zukunft



Polyester enclosures

Ex e / Ex i terminal boxes

		QX-P12 (400 x 250 x 120 mm)															
		Querschnitt / Cross-section in mm <sup>2</sup>															
		1,5	2,5	4	6	10	16	25	35	50	70	95	120	150	185	240	300
Strom [A] Current [A]																	
6																	
10	76																
16	26	50	196														
20	10	29	57														
25		14	32	62													
35			9	24	60												
50				3	19	50											
63					6	23	82										
80						9	25	92									
100							11	24									
125								9	24								
160									8	21							
200										7	18	58					
225										3	10	22					
250											5	14	29				
315												3	8	17			
400													3	12	34		
500																6	

In diesem Bereich kann unter Beachtung der Hinweise und der festgelegten Einbaumaße im Gehäuse beliebig zusätzlich bestückt werden.  
*In this area you can add terminals in notice of the references and the defined assembly dimensions of the enclosure*

Bestückungen in diesem Bereich erfordern einen gesonderten Erwärmungsnachweis.  
*You need proof of warming for adding terminals in this area.*

		QX-P12H (400 x 250 x 160 mm)															
		Querschnitt / Cross-section in mm <sup>2</sup>															
		1,5	2,5	4	6	10	16	25	35	50	70	95	120	150	185	240	300
Strom [A] Current [A]																	
6																	
10	87																
16	30	58	225														
20	12	34	65														
25		16	37	71													
35			11	28	69												
50				4	22	57											
63					7	26	94										
80						10	29	105									
100							12	28									
125								11	28								
160									9	25							
200										9	21	66					
225										3	12	26					
250											6	16	33				
315												3	9	19			
400													4	13	39		
500															2	7	

In diesem Bereich kann unter Beachtung der Hinweise und der festgelegten Einbaumaße im Gehäuse beliebig zusätzlich bestückt werden.  
*In this area you can add terminals in notice of the references and the defined assembly dimensions of the enclosure*

Bestückungen in diesem Bereich erfordern einen gesonderten Erwärmungsnachweis.  
*You need proof of warming for adding terminals in this area.*

# QX-P...Terminal Configuration

Polyester enclosures

Ex e / Ex i terminal boxes

		QX-P13 (405 x 400 x 120 mm)															
		Querschnitt / Cross-section in mm <sup>2</sup>															
		1,5	2,5	4	6	10	16	25	35	50	70	95	120	150	185	240	300
Strom [A] Current [A]																	
6																	
10	91																
16	31	61	236														
20	13	35	68														
25		17	39	75													
35			11	29	72												
50				4	23	60											
63					8	28	99										
80						10	31	111									
100							13	29									
125								11	29								
160									10	26							
200										9	22	70					
225											3	13	27				
250												7	16	34			
315													3	10	20		
400															4	14	41
500																2	8

In diesem Bereich kann unter Beachtung der Hinweise und der festgelegten Einbaumaße im Gehäuse beliebig zusätzlich bestückt werden.  
*In this area you can add terminals in notice of the references and the defined assembly dimensions of the enclosure*

Bestückungen in diesem Bereich erfordern einen gesonderten Erwärmungsnachweis.  
*You need proof of warming for adding terminals in this area.*

		QX-P13H (405 x 400 x 200 mm)															
		Querschnitt / Cross-section in mm <sup>2</sup>															
		1,5	2,5	4	6	10	16	25	35	50	70	95	120	150	185	240	300
Strom [A] Current [A]																	
6																	
10	103																
16	35	68	266														
20	14	40	77														
25		19	43	84													
35			13	33	82												
50				4	26	67											
63					9	31	111										
80						12	35	125									
100							15	33									
125								13	33								
160									11	29							
200										10	25	78					
225											4	14	31				
250												7	18	39			
315													4	11	23		
400															5	16	46
500																2	9

In diesem Bereich kann unter Beachtung der Hinweise und der festgelegten Einbaumaße im Gehäuse beliebig zusätzlich bestückt werden.  
*In this area you can add terminals in notice of the references and the defined assembly dimensions of the enclosure*

Bestückungen in diesem Bereich erfordern einen gesonderten Erwärmungsnachweis.  
*You need proof of warming for adding terminals in this area.*

# QX-P...Terminal Configuration

Erfahrung ist Zukunft



Polyester enclosures

Ex e / Ex i terminal boxes

		QX-P15 (600 x 250 x 120 mm)															
		Querschnitt / Cross-section in mm <sup>2</sup>															
		1,5	2,5	4	6	10	16	25	35	50	70	95	120	150	185	240	300
Strom [A] Current [A]																	
6																	
10	78																
16	26	52	201														
20	11	30	58														
25		14	33	64													
35			9	25	62												
50				3	20	51											
63					6	24	84										
80						9	26	95									
100							11	25									
125								10	25								
160									8	22							
200										8	19	59					
225										3	11	23					
250											6	14	29				
315												3	8	17			
400													4	12	35		
500																7	

In diesem Bereich kann unter Beachtung der Hinweise und der festgelegten Einbaumaße im Gehäuse beliebig zusätzlich bestückt werden.  
*In this area you can add terminals in notice of the references and the defined assembly dimensions of the enclosure*

Bestückungen in diesem Bereich erfordern einen gesonderten Erwärmungsnachweis.  
*You need proof of warming for adding terminals in this area.*

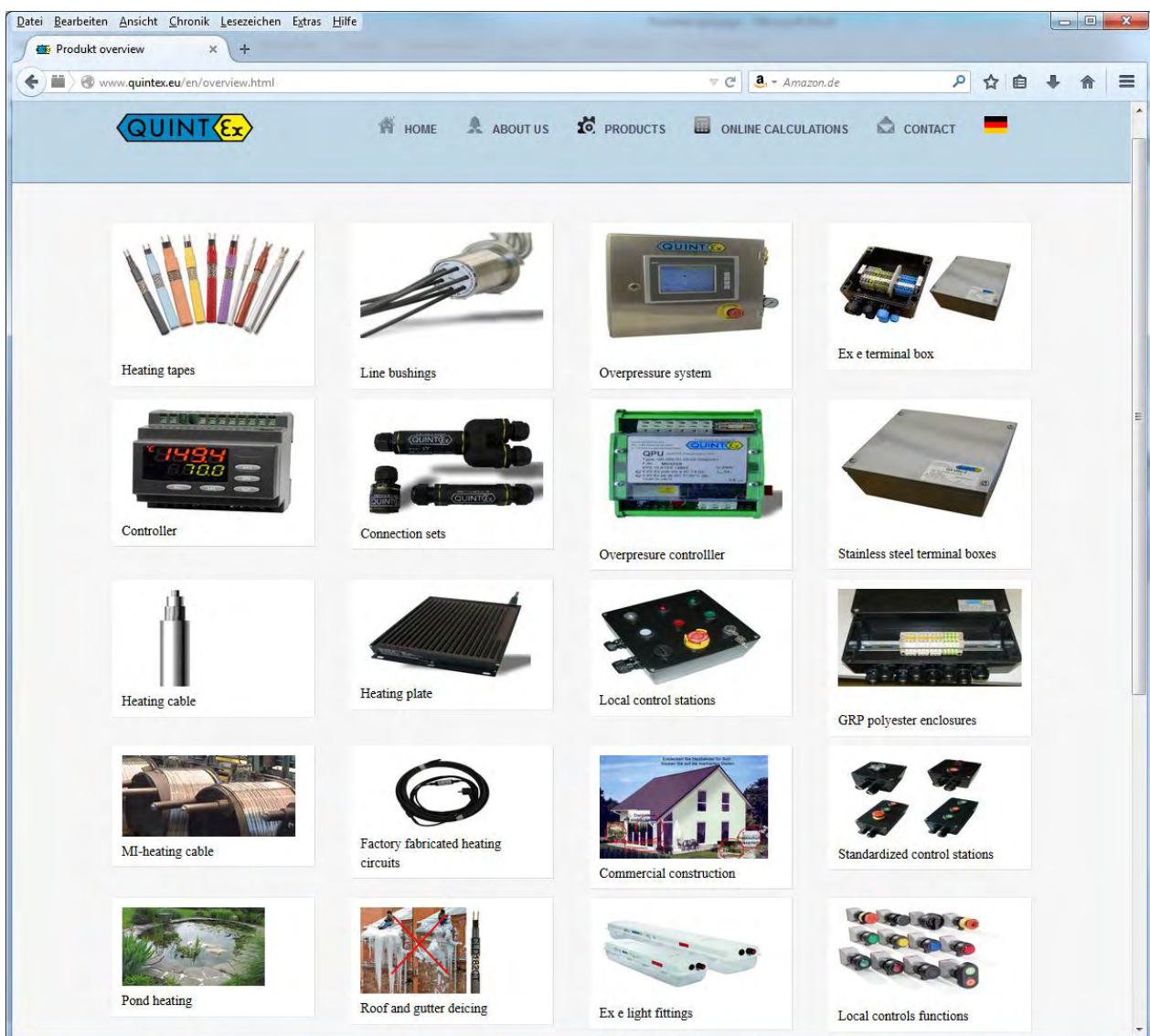
		QX-P15H (600 x 250 x 160 mm)															
		Querschnitt / Cross-section in mm <sup>2</sup>															
		1,5	2,5	4	6	10	16	25	35	50	70	95	120	150	185	240	300
Strom [A] Current [A]																	
6																	
10	78																
16	26	52	201														
20	11	30	58														
25		14	33	64													
35			9	25	62												
50				3	20	51											
63					6	24	84										
80						9	26	95									
100							11	25									
125								10	25								
160									8	22							
200										8	19	59					
225										3	11	23					
250											6	14	29				
315												3	8	17			
400													4	12	35		
500																7	

In diesem Bereich kann unter Beachtung der Hinweise und der festgelegten Einbaumaße im Gehäuse beliebig zusätzlich bestückt werden.  
*In this area you can add terminals in notice of the references and the defined assembly dimensions of the enclosure*

Bestückungen in diesem Bereich erfordern einen gesonderten Erwärmungsnachweis.  
*You need proof of warming for adding terminals in this area.*

Please visit our Webpage to see the latest information about Quintex

If you need quick help, please use our online chat.  
 Free of charge and easy to use





Experts for your systems

## Ex - Stainless Steel Enclosures



- Quality • Reliability • Delivery reliability
- Our knowledge for your application



### **Proviso**

We reserve the right to make technical changes. Changes, errors, and literal errors do not justify any claim for damage compensation. For security components and systems, the relevant standards, as well as the relevant operating and assembly instructions have to be followed.

# Ex stainless steel boxes

Ex stainless steel boxes Assembly overview

General data

Type		Cable glands				Terminals (mm <sup>2</sup> )						
		M16	M20	M25	M32	1,5	2,5	4	6	10	16	
QX-V1I	150x100x60	Side A+B	4	3	0	0	19	15	12	10	0	0
		Side C+D	2	1	0	0						
QX-V2I	150x150x80	Side A+B	8	3	3	2	19	15	12	10	8	6
		Side C+D	6	3	2	2						
QX-V3I	200x150x60	Side A+B	6	5	0	0	30	25	20	17	0	0
		Side C+D	3	3	0	0						
QX-V4I	200x200x80	Side A+B	12	5	4	3	30	25	20	17	13	10
		Side C+D	10	4	3	3						
QX-V5I	200x200x120	Side A+B	18	10	8	6	30	25	20	17	13	10
		Side C+D	15	8	6	6						
QX-V6I	200x200x160	Side A+B	24	15	12	6	30	25	20	17	13	10
		Side C+D	20	12	9	6						
QX-V7I	300x150x80	Side A+B	18	7	6	5	54	44	37	30	23	19
		Side C+D	6	3	2	2						
QX-V8I	300x200x80	Side A+B	18	7	6	5	54	44	37	30	23	19
		Side C+D	10	4	3	3						
QX-V9I	300x200x120	Side A+B	27	14	12	10	54	44	37	30	23	19
		Side C+D	15	8	6	6						
QX-V10I	300x200x200	Side A+B	54	35	24	15	54	44	37	30	23	19
		Side C+D	30	20	12	9						
QX-V11I	300x300x120	Side A+B	27	14	12	10	2x54	2x44	2x37	2x30	2x23	2x19
		Side C+D	27	14	12	10						
QX-V12I	300x300x160	Side A+B	36	21	18	10	2x54	2x44	2x37	2x30	2x23	2x19
		Side C+D	36	21	18	10						
QX-V13I	300x300x200	Side A+B	54	35	24	15	2x54	2x44	2x37	2x30	2x23	2x19
		Side C+D	54	35	24	15						
QX-V14I	380x380x160	Side A+B	48	30	24	14	2x73	2x59	2x50	2x41	2x31	2x25
		Side C+D	48	27	24	12						
QX-V15I	380x380x200	Side A+B	72	50	32	21	2x73	2x59	2x50	2x41	2x31	2x25
		Side C+D	72	45	32	18						
QX-V16I	400x150x80	Side A+B	26	10	9	7	78	63	53	44	33	27
		Side C+D	6	3	2	2						
QX-V17I	400x200x120	Side A+B	39	20	18	14	78	63	53	44	33	27
		Side C+D	15	8	6	6						
QX-V18I	400x200x160	Side A+B	52	30	27	14	78	63	53	44	33	27
		Side C+D	20	12	9	6						
QX-V19I	400x200x200	Side A+B	78	50	36	21	78	63	53	44	33	27
		Side C+D	30	20	12	9						
QX-V20I	400x300x160	Side A+B	52	30	27	14	2x78	2x63	2x53	2x44	2x33	2x27
		Side C+D	36	21	18	10						
QX-V21I	400x300x200	Side A+B	78	50	36	21	2x78	2x63	2x53	2x44	2x33	2x27
		Side C+D	54	35	24	15						
QX-V22I	500x300x160	Side A+B	68	39	33	18	2x102	2x82	2x69	2x57	2x43	2x35
		Side C+D	36	21	18	10						
QX-V23I	500x300x200	Side A+B	102	65	44	27	2x102	2x82	2x69	2x57	2x43	2x35
		Side C+D	54	35	24	15						

# Ex stainless steel boxes




Assembly overview

General data

Type	Cable glands				Terminals (mm <sup>2</sup> )						
	M16	M20	M25	M32	1,5	2,5	4	6	10	16	
QX-V24I 500x400x160	Side A+B	68	39	33	18	3x102	3x82	3x69	3x57	3x43	3x35
	Side C+D	48	30	24	14						
QX-V25I 500x400x200	Side A+B	102	65	44	27	3x102	3x82	3x69	3x57	3x43	3x35
	Side C+D	72	50	32	21						
QX-V26I 600x200x120	Side A+B	60	32	28	22	126	101	85	70	54	44
	Side C+D	15	8	6	6						
QX-V27I 600x200x160	Side A+B	80	48	42	22	126	101	85	70	54	44
	Side C+D	20	12	9	6						
QX-V28I 600x200x200	Side A+B	120	80	56	33	126	101	85	70	54	44
	Side C+D	30	20	12	9						
QX-V29I 600x400x200	Side A+B	120	80	56	33	3x126	3x101	3x85	3x70	3x54	3x44
	Side C+D	72	50	32	21						
QX-V30I 600x600x200	Side A+B	120	80	56	33	5x126	5x101	5x85	5x70	5x54	5x44
	Side C+D	114	75	52	33						

The max. amount of terminals depends on manufacturer.  
Combinations and other sizes after technical clarification

Data of standard cable glands, brass nickel plated					
Type	Wrench size	Range (mm)	Type	Wrench size	Range (mm)
<b>M12</b>	16	3 – 6	<b>M32</b>	36	13 – 21
<b>M16</b>	20	4,5 – 9	<b>M40</b>	46	17 – 28
<b>M20</b>	24	7 – 13	<b>M50</b>	55	23 – 35
<b>M25</b>	29	10 – 17	<b>M63</b>	68	31 – 48

<b>Specification for Ex area</b>			
Marking according to 2014/34/EU		 II 2 GD	
Type of protection		II 2G Ex eb IIC and II 2G Ex ib IIC II 2D Ex tb IIIC	
Ambient temperature °C Silicone gasket		Gas temperature class T°C	Dust temperature °C
MIN	MAX		
-60	+50	T6	85
-60	+55	T5	100
-60	+60	T4	120
Max. temperature range		-60..+120°C	
Ingress protection		IP 66	
Ex-Zone		1, 2, 21, 22	
Applicable at risk of mechanical exposure (Impact resistance)		high (7 Joule)	
Gas groups		IIA; IIB; IIC	
Certificates		ATEX, IECEx, EAC TC-RU, NEMA 4X	

<b>Enclosure specification</b>	
Enclosure material	1,2mm stainless steel 1.4404 (316L)
Surface	Stainless steel brushed Option: Stainless steel electro-polished
Lid fixing	Full removable lid with captive M6 stainless steel screws
Gasket	One piece of silicone
Earthing	Earthing bolt internal/external
Mounting	Mounting lugs or rivet nuts M6 from Backside

<b>Options</b>	
Mounting plate, zinc plated	MP-Vxxl xx = 1-30 (Size of enclosure)



- High chemical resistance
- International certificates available
- Self-assembly with terminals
- Suitable for all hygienic environments
- Robust construction
- Different surface finishes available

## Description

Stainless steel enclosures have been proven themselves even in the harshest of environments.

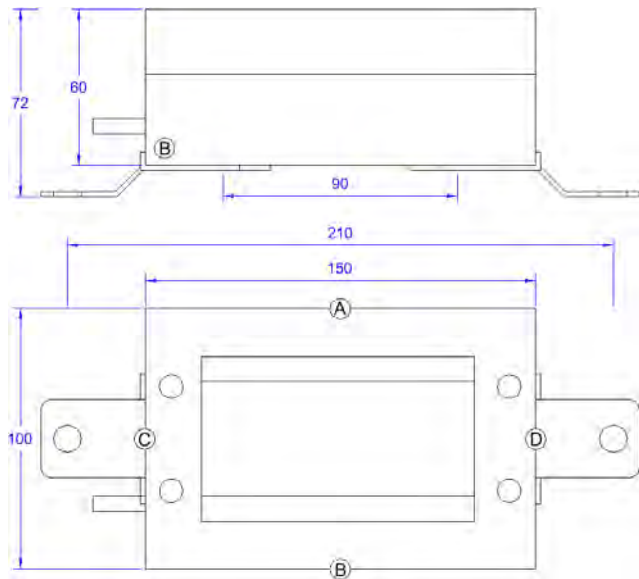
These robust enclosures can withstand harmful aggressive chemical and mechanical abuse.

The lid with integrated silicon gasket and high corrosion resistive stainless steel captive screws allows easy handling and reliability with a perfect weather seal.

The mounting lugs can be adjusted through 90° if required or alternatively use the 4no x M6 threaded bushes in the rear.

An optional mounting plate is available for ease of assembly.

M6 internal/external earth stud as standard.



## Possible Application:

- Ex e / Ex i junction boxes
- Terminal boxes in hygienic environments

## Technical Data

Material:	Brushed Stainless Steel 1.2mm, 1.4404 / 316L
Option:	electro-polished/painted
Dimension (mm):	150 x 100 x 60
Mounting dim. (mm):	210 / 2x10,5Ø
from Backside (mm):	90 / 2xM6
Power dissipation:	8,0 Watt @ +40°C
for dust Ex:	4,0 Watt @ +40°C
Ingress protection:	IP 66
Impact resistance:	7 Joule
Min. ambient temp.:	-60°C
Temperature class:	T6 @ +50°C T5 @ +55°C T4 @ +60°C
Weight:	0,86 kg

## Certificates

ATEX, IECEX, EAC TC-RU, NEMA 4X

## Marking

Empty enclosures:

Ex II 2G Ex eb IIC / Ex II 2D Ex tb IIIC

Terminal Boxes:

Ex II 2G Ex eb ia IIC/IIB/IIA T6/T5/T4

Ex II 2D Ex tb IIIC T85°C/T100°C/T120°C

## Quantity of glands

Gland	M12	M16	M20
Side A / B	4	3	0
Side C / D	2	1	0

## Terminals

mm²	1,5	2,5	4	6
horizontal rail	19	15	12	10



- High chemical resistance
- International certificates available
- Self-assembly with terminals
- Suitable for all hygienic environments
- Robust construction
- Different surface finishes available

## Description

Stainless steel enclosures have been proven themselves even in the harshest of environments.

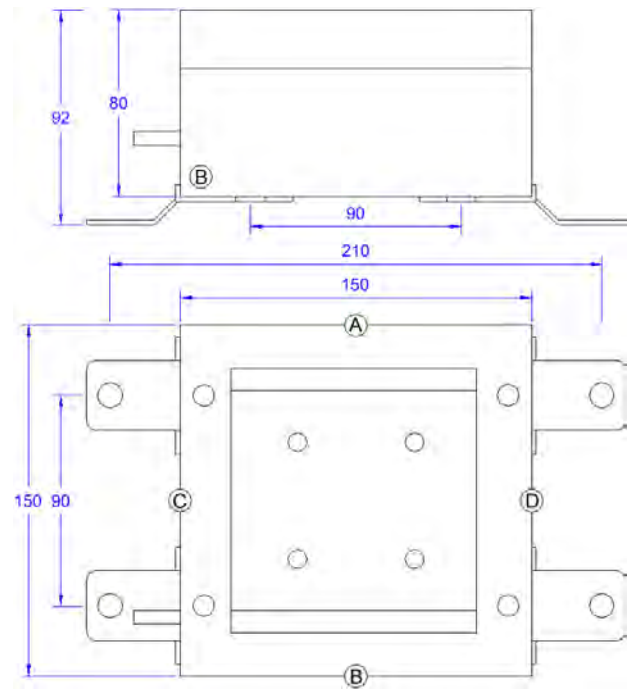
These robust enclosures can withstand harmful aggressive chemical and mechanical abuse.

The lid with integrated silicon gasket and high corrosion resistive stainless steel captive screws allows easy handling and reliability with a perfect weather seal.

The mounting lugs can be adjusted through 90° if required or alternatively use the 4no x M6 threaded bushes in the rear.

An optional mounting plate is available for ease of assembly.

M6 internal/external earth stud as standard.



## Possible Application

- Ex e / Ex i junction boxes
- Terminal boxes in hygienic environments

## Technical Data

Material:	Brushed Stainless Steel 1.2mm, 1.4404 / 316L
Option:	electro-polished/painted
Dimension (mm):	150 x 150 x 80
Mounting dim. (mm):	210 x 90 / 4x10,5Ø
from Backside (mm):	90 x 90 / 4xM6
Power dissipation:	10,0 Watt @ +40°C
for dust Ex:	5,0 Watt @ +40°C
Ingress protection:	IP 66
Impact resistance:	7 Joule
Min. ambient temp.:	-60°C
Temperature class:	T6 @ +50°C T5 @ +55°C T4 @ +60°C
Weight:	1,16 kg

## Certificates

ATEX, IECEx, EAC TC-RU, NEMA 4X

## Marking

Empty enclosures:

⊕ II 2G Ex eb IIC / ⊕ II 2D Ex tb IIIC

Terminal Boxes:

⊕ II 2G Ex eb ia IIC/IIB/IIA T6/T5/T4

⊕ II 2D Ex tb IIIC T85°C/T100°C/T120°C

## Quantity of glands

Gland	M16	M20	M25
Side A / B	8	3	3
Side C / D	6	3	2

## Terminals

mm <sup>2</sup>	2,5	4	6	10
horizontal rail	15	12	10	8



- High chemical resistance
- International certificates available
- Self-assembly with terminals
- Suitable for all hygienic environments
- Robust construction
- Different surface finishes available

## Description

Stainless steel enclosures have been proven themselves even in the harshest of environments.

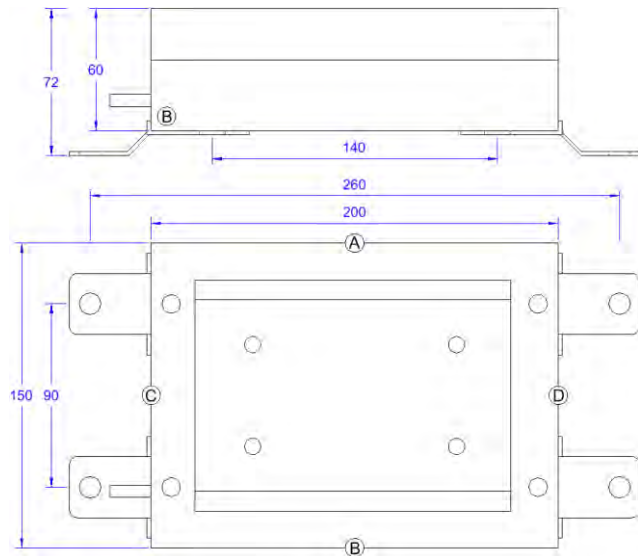
These robust enclosures can withstand harmful aggressive chemical and mechanical abuse.

The lid with integrated silicon gasket and high corrosion resistive stainless steel captive screws allows easy handling and reliability with a perfect weather seal.

The mounting lugs can be adjusted through 90° if required or alternatively use the 4no x M6 threaded bushes in the rear.

An optional mounting plate is available for ease of assembly.

M6 internal/external earth stud as standard.



## Possible Application

- Ex e / Ex i junction boxes
- Terminal boxes in hygienic environments

## Technical Data

Material:	Brushed Stainless Steel 1.2mm, 1.4404 / 316L
Option:	electro-polished/painted
Dimension (mm):	200 x 150 x 60
Mounting dim. (mm):	260 x 90 / 4x10,5Ø
from Backside (mm):	140 x 90 / 4xM6
Power dissipation:	11,0 Watt @ +40°C
for dust Ex:	5,5 Watt @ +40°C
Ingress protection:	IP 66
Impact resistance:	7 Joule
Min. ambient temp.:	-60°C
Temperature class:	T6 @ +50°C T5 @ +55°C T4 @ +60°C
Weight:	1,26 kg

## Certificates

ATEX, IECEx, EAC TC-RU, NEMA 4X

## Marking

Empty enclosures:

Ex II 2G Ex eb IIC / Ex II 2D Ex tb IIIC

Terminal Boxes:

Ex II 2G Ex eb ia IIC/IIB/IIA T6/T5/T4

Ex II 2D Ex tb IIIC T85°C/T100°C/T120°C

## Quantity of glands

Gland	M16	M20	M25
Side A / B	6	5	0
Side C / D	3	3	0

## Terminals

mm²	2,5	4	6	10
horizontal rail	25	20	17	13





- High chemical resistance
- International certificates available
- Self-assembly with terminals
- Suitable for all hygienic environments
- Robust construction
- Different surface finishes available

## Description

Stainless steel enclosures have been proven themselves even in the harshest of environments.

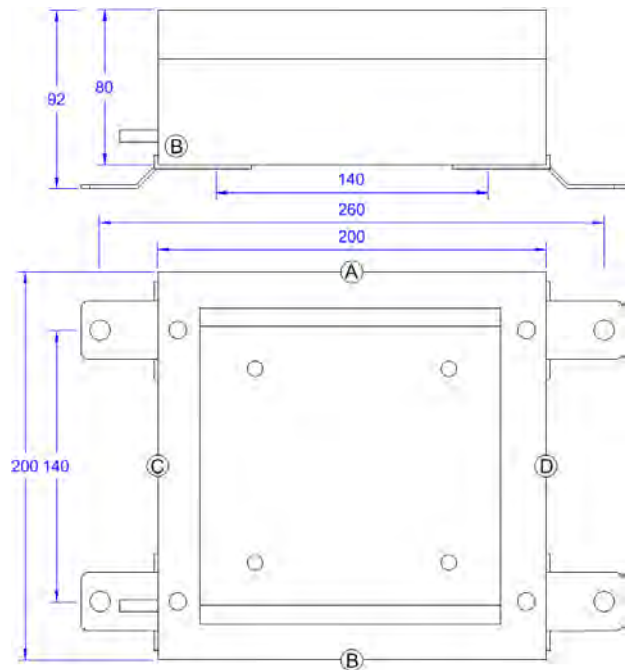
These robust enclosures can withstand harmful aggressive chemical and mechanical abuse.

The lid with integrated silicon gasket and high corrosion resistive stainless steel captive screws allows easy handling and reliability with a perfect weather seal.

The mounting lugs can be adjusted through 90° if required or alternatively use the 4no x M6 threaded bushes in the rear.

An optional mounting plate is available for ease of assembly.

M6 internal/external earth stud as standard.



## Possible Application

- Ex e / Ex i junction boxes
- Terminal boxes in hygienic environments

## Technical Data

Material:	Brushed Stainless Steel 1.2mm, 1.4404 / 316L
Option:	electro-polished/painted
Dimension (mm):	200 x 200 x 80
Mounting dim. (mm):	260 x 140 / 4x10,5Ø
from Backside (mm):	140 x 140 / 4xM6
Power dissipation:	15,0 Watt @ +40°C
for dust Ex:	7,5 Watt @ +40°C
Ingress protection:	IP 66
Impact resistance:	7 Joule
Min. ambient temp.:	-60°C
Temperature class:	T6 @ +50°C T5 @ +55°C T4 @ +60°C
Weight:	1,66 kg

## Certificates

ATEX, IECEx, EAC TC-RU, NEMA 4X

## Marking

Empty enclosures:

Ex II 2G Ex eb IIC / Ex II 2D Ex tb IIIC

Terminal Boxes:

Ex II 2G Ex eb ia IIC/IIB/IIA T6/T5/T4

Ex II 2D Ex tb IIIC T85°C/T100°C/T120°C

## Quantity of glands

Gland	M16	M20	M25
Side A / B	12	5	4
Side C / D	10	4	3

## Terminals

mm <sup>2</sup>	2,5	4	6	10
horizontal rail	25	20	17	13



- High chemical resistance
- International certificates available
- Self-assembly with terminals
- Suitable for all hygienic environments
- Robust construction
- Different surface finishes available

### Description

Stainless steel enclosures have been proven themselves even in the harshest of environments.

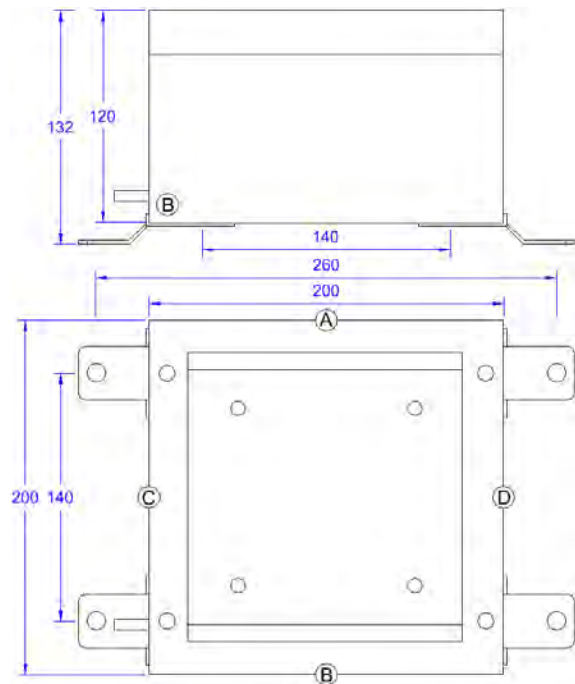
These robust enclosures can withstand harmful aggressive chemical and mechanical abuse.

The lid with integrated silicon gasket and high corrosion resistive stainless steel captive screws allows easy handling and reliability with a perfect weather seal.

The mounting lugs can be adjusted through 90° if required or alternatively use the 4no x M6 threaded bushes in the rear.

An optional mounting plate is available for ease of assembly.

M6 internal/external earth stud as standard.



### Possible Application

- Ex e / Ex i junction boxes
- Terminal boxes in hygienic environments

### Technical Data

**Material:** Brushed Stainless Steel  
 1.2mm, 1.4404 / 316L

**Option:** electro-polished/painted

**Dimension (mm):** 200 x 200 x 120

**Mounting dim. (mm):** 260 x 140 / 4x10,5Ø  
 from Backside (mm): 140 x 140 / 4xM6

**Power dissipation:** 19,0 Watt @ +40°C  
 for dust Ex: 9,5 Watt @ +40°C

**Ingress protection:** IP 66

**Impact resistance:** 7 Joule

**Min. ambient temp.:** -60°C

**Temperature class:** T6 @ +50°C  
 T5 @ +55°C  
 T4 @ +60°C

**Weight:** 1,96 kg

### Certificates

ATEX, IECEX, EAC TC-RU, NEMA 4X

### Marking

Empty enclosures:

Ex II 2G Ex eb IIC / Ex II 2D Ex tb IIIC

Terminal Boxes:

Ex II 2G Ex eb ia IIC/IIB/IIA T6/T5/T4

Ex II 2D Ex tb IIIC T85°C/T100°C/T120°C

### Quantity of glands

Gland	M16	M20	M25
Side A / B	18	10	8
Side C / D	15	8	6

### Terminals

mm²	2,5	4	6	10
horizontal rail	25	20	17	13



- High chemical resistance
- International certificates available
- Self-assembly with terminals
- Suitable for all hygienic environments
- Robust construction
- Different surface finishes available

## Description

Stainless steel enclosures have been proven themselves even in the harshest of environments.

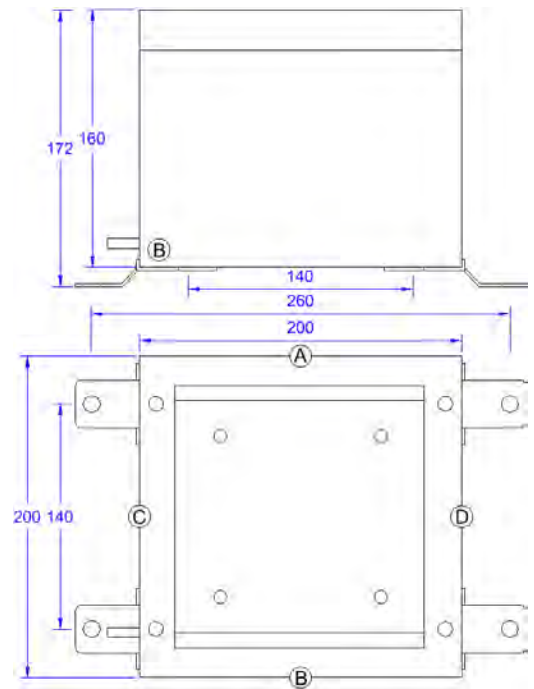
These robust enclosures can withstand harmful aggressive chemical and mechanical abuse.

The lid with integrated silicon gasket and high corrosion resistive stainless steel captive screws allows easy handling and reliability with a perfect weather seal.

The mounting lugs can be adjusted through 90° if required or alternatively use the 4no x M6 threaded bushes in the rear.

An optional mounting plate is available for ease of assembly.

M6 internal/external earth stud as standard.



## Possible Application

- Ex e / Ex i junction boxes
- Terminal boxes in hygienic environments

## Technical Data

Material:	Brushed Stainless Steel
Option:	1.2mm, 1.4404 / 316L electro-polished/painted
Dimension (mm):	200 x 200 x 160
Mounting dim. (mm):	260 x 140 / 4x10,5Ø
from Backside (mm):	140 x 140 / 4xM6
Power dissipation:	23,0 Watt @ +40°C
for dust Ex:	11,5 Watt @ +40°C
Ingress protection:	IP 66
Impact resistance:	7 Joule
Min. ambient temp.:	-60°C
Temperature class:	T6 @ +50°C T5 @ +55°C T4 @ +60°C
Weight:	2,26 kg

## Certificates

ATEX, IECEx, EAC TC-RU, NEMA 4X

## Marking

Empty enclosures:

⊕ II 2G Ex eb IIC / ⊕ II 2D Ex tb IIIC

Terminal Boxes:

⊕ II 2G Ex eb ia IIC/IIB/IIA T6/T5/T4

⊕ II 2D Ex tb IIIC T85°C/T100°C/T120°C

## Quantity of glands

Gland	M16	M20	M25
Side A / B	24	15	12
Side C / D	20	12	9

## Terminals

mm <sup>2</sup>	2,5	4	6	10
horizontal rail	25	20	17	13



- High chemical resistance
- International certificates available
- Self-assembly with terminals
- Suitable for all hygienic environments
- Robust construction
- Different surface finishes available

## Description

Stainless steel enclosures have been proven themselves even in the harshest of environments.

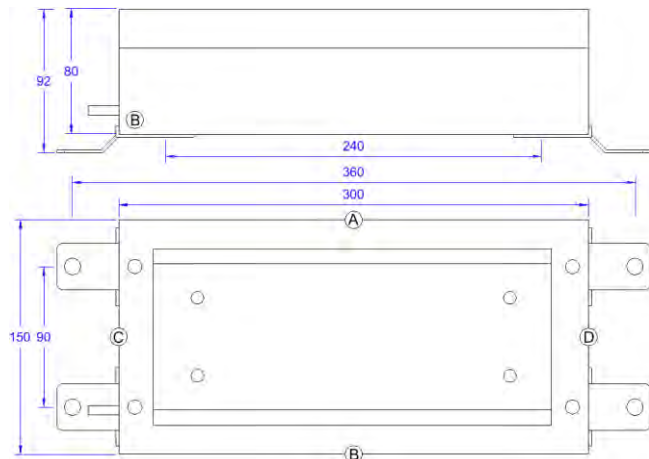
These robust enclosures can withstand harmful aggressive chemical and mechanical abuse.

The lid with integrated silicon gasket and high corrosion resistive stainless steel captive screws allows easy handling and reliability with a perfect weather seal.

The mounting lugs can be adjusted through 90° if required or alternatively use the 4no x M6 threaded bushes in the rear.

An optional mounting plate is available for ease of assembly.

M6 internal/external earth stud as standard.



## Possible Application

- Ex e / Ex i junction boxes
- Terminal boxes in hygienic environments

## Technical Data

Material:	Brushed Stainless Steel 1.2mm, 1.4404 / 316L
Option:	electro-polished/painted
Dimension (mm):	300 x 150 x 80
Mounting dim. (mm):	360 x 90 / 4x10,5Ø
from Backside (mm):	240 x 90 / 4xM6
Power dissipation:	18,0 Watt @ +40°C
for dust Ex:	9,0 Watt @ +40°C
Ingress protection:	IP 66
Impact resistance:	7 Joule
Min. ambient temp.:	-60°C
Temperature class:	T6 @ +50°C T5 @ +55°C T4 @ +60°C
Weight:	1,86 kg

## Certificates

ATEX, IECEX, EAC TC-RU, NEMA 4X

## Marking

Empty enclosures:

Ex II 2G Ex eb IIC / Ex II 2D Ex tb IIIC

Terminal Boxes:

Ex II 2G Ex eb ia IIC/IIB/IIA T6/T5/T4

Ex II 2D Ex tb IIIC T85°C/T100°C/T120°C

## Quantity of glands

Gland	M16	M20	M25
Side A / B	18	7	6
Side C / D	6	3	2

## Terminals

mm²	2,5	4	6	10
horizontal rail	44	37	30	23



- High chemical resistance
- International certificates available
- Self-assembly with terminals
- Suitable for all hygienic environments
- Robust construction
- Different surface finishes available

## Description

Stainless steel enclosures have been proven themselves even in the harshest of environments.

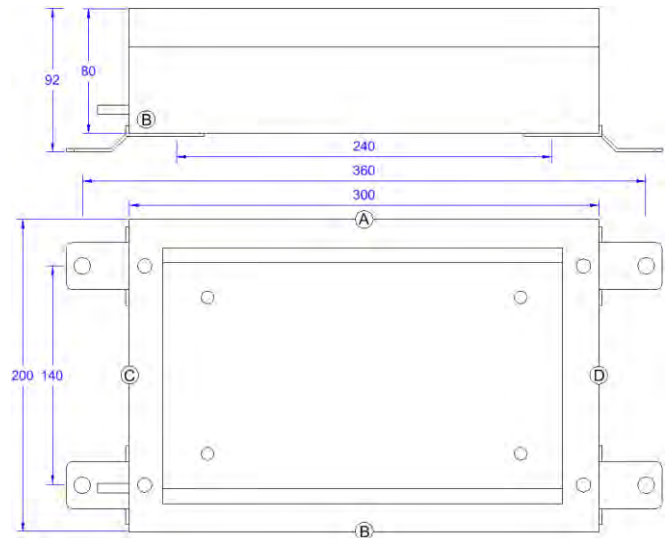
These robust enclosures can withstand harmful aggressive chemical and mechanical abuse.

The lid with integrated silicon gasket and high corrosion resistive stainless steel captive screws allows easy handling and reliability with a perfect weather seal.

The mounting lugs can be adjusted through 90° if required or alternatively use the 4no x M6 threaded bushes in the rear.

An optional mounting plate is available for ease of assembly.

M6 internal/external earth stud as standard.



## Possible Application

- Ex e / Ex i junction boxes
- Terminal boxes in hygienic environments

## Technical Data

Material:	Brushed Stainless Steel 1.2mm, 1.4404 / 316L
Option:	electro-polished/painted
Dimension (mm):	300 x 200 x 80
Mounting dim. (mm):	360 x 140 / 4x10,5Ø
from Backside (mm):	240 x 140 / 4xM6
Power dissipation:	22,0 Watt @ +40°C
for dust Ex:	11,0 Watt @ +40°C
Ingress protection:	IP 66
Impact resistance:	7 Joule
Min. ambient temp.:	-60°C
Temperature class:	T6 @ +50°C T5 @ +55°C T4 @ +60°C
Weight:	2,16 kg

## Certificates

ATEX, IECEx, EAC TC-RU, NEMA 4X

## Marking

Empty enclosures:

⊕ II 2G Ex eb IIC / ⊕ II 2D Ex tb IIIC

Terminal Boxes:

⊕ II 2G Ex eb ia IIC/IIB/IIA T6/T5/T4

⊕ II 2D Ex tb IIIC T85°C/T100°C/T120°C

## Quantity of glands

Gland	M16	M20	M25
Side A / B	18	7	6
Side C / D	10	4	3

## Terminals

mm <sup>2</sup>	2,5	4	6	10
horizontal rail	44	37	30	23



- High chemical resistance
- Suitable for all hygienic environments
- International certificates available
- Robust construction
- Self-assembly with terminals
- Different surface finishes available

### Description

Stainless steel enclosures have been proven themselves even in the harshest of environments.

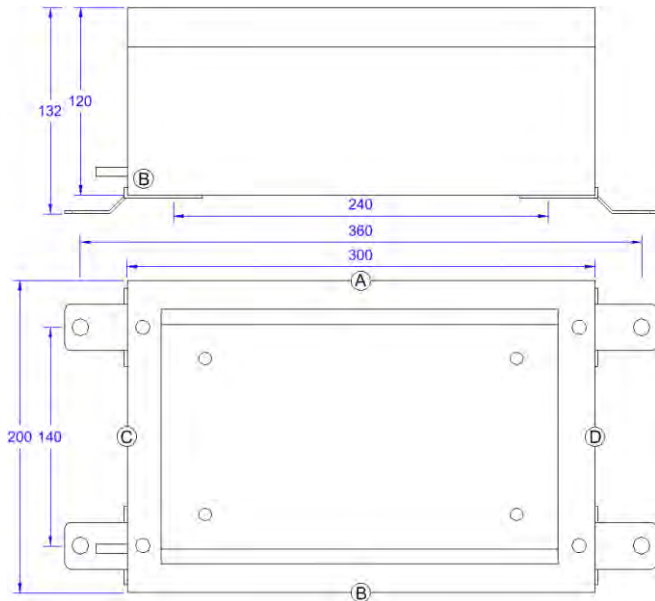
These robust enclosures can withstand harmful aggressive chemical and mechanical abuse.

The lid with integrated silicon gasket and high corrosion resistive stainless steel captive screws allows easy handling and reliability with a perfect weather seal.

The mounting lugs can be adjusted through 90° if required or alternatively use the 4no x M6 threaded bushes in the rear.

An optional mounting plate is available for ease of assembly.

M6 internal/external earth stud as standard.



### Possible Application

- Ex e / Ex i junction boxes
- Terminal boxes in hygienic environments

### Technical Data

**Material:** Brushed Stainless Steel  
 1.2mm, 1.4404 / 316L

**Option:** electro-polished/painted

**Dimension (mm):** 300 x 200 x 120

**Mounting dim. (mm):** 360 x 140 / 4x10,5Ø  
 from Backside (mm): 240 x 140 / 4xM6

**Power dissipation:** 26,0 Watt @ +40°C  
 for dust Ex: 13,0 Watt @ +40°C

**Ingress protection:** IP 66

**Impact resistance:** 7 Joule

**Min. ambient temp.:** -60°C

**Temperature class:** T6 @ +50°C  
 T5 @ +55°C  
 T4 @ +60°C

**Weight:** 2,56 kg

### Certificates

ATEX, IECEX, EAC TC-RU, NEMA 4X

### Marking

Empty enclosures:

Ex II 2G Ex eb IIC / Ex II 2D Ex tb IIIC

Terminal Boxes:

Ex II 2G Ex eb ia IIC/IIB/IIA T6/T5/T4

Ex II 2D Ex tb IIIC T85°C/T100°C/T120°C

### Quantity of glands

Gland	M16	M20	M25
Side A / B	27	14	12
Side C / D	15	8	6

### Terminals

mm²	2,5	4	6	10
horizontal rail	44	37	30	23



- High chemical resistance
- International certificates available
- Self-assembly with terminals
- Suitable for all hygienic environments
- Robust construction
- Different surface finishes available

## Description

Stainless steel enclosures have been proven themselves even in the harshest of environments.

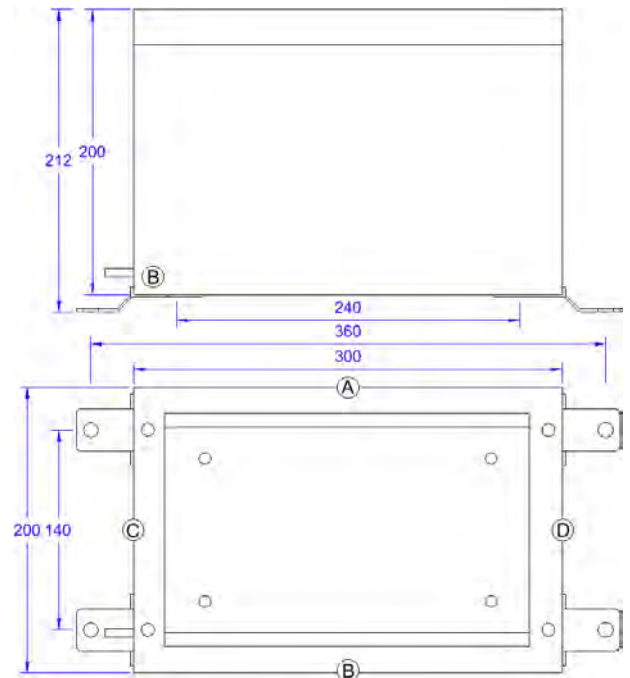
These robust enclosures can withstand harmful aggressive chemical and mechanical abuse.

The lid with integrated silicon gasket and high corrosion resistive stainless steel captive screws allows easy handling and reliability with a perfect weather seal.

The mounting lugs can be adjusted through 90° if required or alternatively use the 4no x M6 threaded bushes in the rear.

An optional mounting plate is available for ease of assembly.

M6 internal/external earth stud as standard.



## Possible Application

- Ex e / Ex i junction boxes
- Terminal boxes in hygienic environments

## Technical Data

Material:	Brushed Stainless Steel 1.2mm, 1.4404 / 316L
Option:	electro-polished/painted
Dimension (mm):	300 x 200 x 200
Mounting dim. (mm):	360 x 140 / 4x10,5Ø
from Backside (mm):	240 x 140 / 4xM6
Power dissipation:	36,0 Watt @ +40°C
for dust Ex:	18,0 Watt @ +40°C
Ingress protection:	IP 66
Impact resistance:	7 Joule
Min. ambient temp.:	-60°C
Temperature class:	T6 @ +50°C T5 @ +55°C T4 @ +60°C
Weight:	3,36 kg

## Certificates

ATEX, IECEx, EAC TC-RU, NEMA 4X

## Marking

Empty enclosures:

⊕ II 2G Ex eb IIC / ⊕ II 2D Ex tb IIIC

Terminal Boxes:

⊕ II 2G Ex eb ia IIC/IIB/IIA T6/T5/T4

⊕ II 2D Ex tb IIIC T85°C/T100°C/T120°C

## Quantity of glands

Gland	M16	M20	M25
Side A / B	54	35	24
Side C / D	30	20	12

## Terminals

mm <sup>2</sup>	2,5	4	6	10
horizontal rail	44	37	30	23



- High chemical resistance
- International certificates available
- Self-assembly with terminals
- Suitable for all hygienic environments
- Robust construction
- Different surface finishes available

## Description

Stainless steel enclosures have been proven themselves even in the harshest of environments.

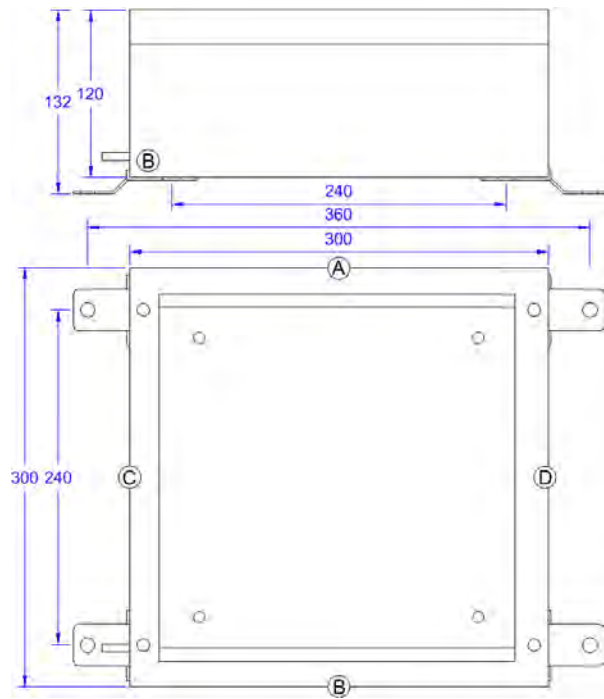
These robust enclosures can withstand harmful aggressive chemical and mechanical abuse.

The lid with integrated silicon gasket and high corrosion resistive stainless steel captive screws allows easy handling and reliability with a perfect weather seal.

The mounting lugs can be adjusted through 90° if required or alternatively use the 4no x M6 threaded bushes in the rear.

An optional mounting plate is available for ease of assembly.

M6 internal/external earth stud as standard.



## Possible Application

- Ex e / Ex i junction boxes
- Terminal boxes in hygienic environments

## Technical Data

Material:	Brushed Stainless Steel 1.2mm, 1.4404 / 316L
Option:	electro-polished/painted
Dimension (mm):	300 x 300 x 120
Mounting dim. (mm):	360 x 240 / 4x10,5Ø
from Backside (mm):	240 x 240 / 4xM6
Power dissipation:	35,0 Watt @ +40°C
for dust Ex:	17,5 Watt @ +40°C
Ingress protection:	IP 66
Impact resistance:	7 Joule
Min. ambient temp.:	-60°C
Temperature class:	T6 @ +50°C T5 @ +55°C T4 @ +60°C
Weight:	3,36 kg

## Certificates

ATEX, IECEX, EAC TC-RU, NEMA 4X

## Marking

Empty enclosures:

Ex II 2G Ex eb IIC / Ex II 2D Ex tb IIIC

Terminal Boxes:

Ex II 2G Ex eb ia IIC/IIB/IIA T6/T5/T4

Ex II 2D Ex tb IIIC T85°C/T100°C/T120°C

## Quantity of glands

Gland	M16	M20	M25
Side A / B	27	14	12
Side C / D	27	14	12

## Terminals

mm²	2,5	4	6	10
horizontal rail	2x44	2x37	2x30	2x23





- High chemical resistance
- International certificates available
- Self-assembly with terminals
- Suitable for all hygienic environments
- Robust construction
- Different surface finishes available

## Description

Stainless steel enclosures have been proven themselves even in the harshest of environments.

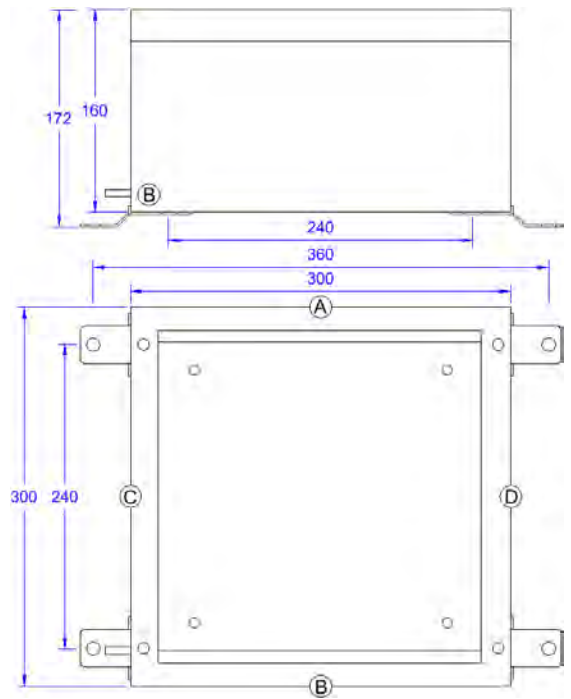
These robust enclosures can withstand harmful aggressive chemical and mechanical abuse.

The lid with integrated silicon gasket and high corrosion resistive stainless steel captive screws allows easy handling and reliability with a perfect weather seal.

The mounting lugs can be adjusted through 90° if required or alternatively use the 4no x M6 threaded bushes in the rear.

An optional mounting plate is available for ease of assembly.

M6 internal/external earth stud as standard.



## Possible Application

- Ex e / Ex i junction boxes
- Terminal boxes in hygienic environments

## Technical Data

Material:	Brushed Stainless Steel
Option:	1.2mm, 1.4404 / 316L electro-polished/painted
Dimension (mm):	300 x 300 x 160
Mounting dim. (mm):	360 x 240 / 4x10,5Ø
from Backside (mm):	240 x 240 / 4xM6
Power dissipation:	40,0 Watt @ +40°C
for dust Ex:	20,0 Watt @ +40°C
Ingress protection:	IP 66
Impact resistance:	7 Joule
Min. ambient temp.:	-60°C
Temperature class:	T6 @ +50°C T5 @ +55°C T4 @ +60°C
Weight:	4,76 kg

## Certificates

ATEX, IECEx, EAC TC-RU, NEMA 4X

## Marking

Empty enclosures:

⊕ II 2G Ex eb IIC / ⊕ II 2D Ex tb IIIC

Terminal Boxes:

⊕ II 2G Ex eb ia IIC/IIB/IIA T6/T5/T4

⊕ II 2D Ex tb IIIC T85°C/T100°C/T120°C

## Quantity of glands

Gland	M16	M20	M25
Side A / B	36	21	18
Side C / D	36	21	18

## Terminals

mm²	2,5	4	6	10
horizontal rail	2x44	2x37	2x30	2x23



- High chemical resistance
- Suitable for all hygienic environments
- International certificates available
- Robust construction
- Self-assembly with terminals
- Different surface finishes available

### Description

Stainless steel enclosures have been proven themselves even in the harshest of environments.

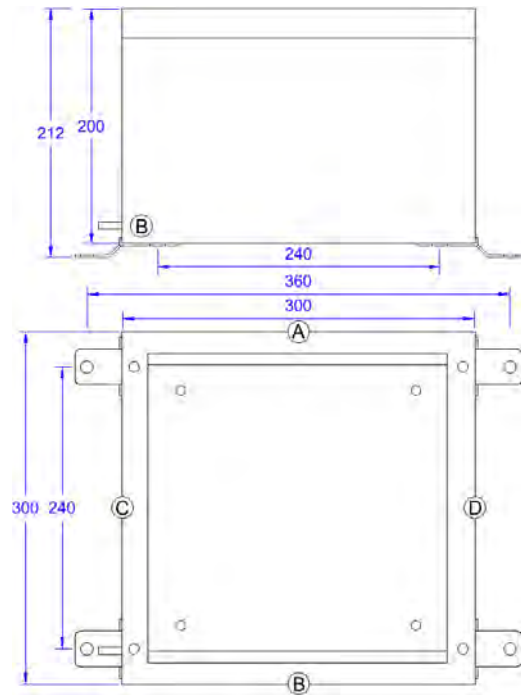
These robust enclosures can withstand harmful aggressive chemical and mechanical abuse.

The lid with integrated silicon gasket and high corrosion resistive stainless steel captive screws allows easy handling and reliability with a perfect weather seal.

The mounting lugs can be adjusted through 90° if required or alternatively use the 4no x M6 threaded bushes in the rear.

An optional mounting plate is available for ease of assembly.

M6 internal/external earth stud as standard.



### Possible Application

- Ex e / Ex i junction boxes
- Terminal boxes in hygienic environments

### Technical Data

Material:	Brushed Stainless Steel 1.2mm, 1.4404 / 316L
Option:	electro-polished/painted
Dimension (mm):	300 x 300 x 200
Mounting dim. (mm):	360 x 240 / 4x10,5Ø
from Backside (mm):	240 x 240 / 4xM6
Power dissipation:	46,0 Watt @ +40°C
for dust Ex:	23,0 Watt @ +40°C
Ingress protection:	IP 66
Impact resistance:	7 Joule
Min. ambient temp.:	-60°C
Temperature class:	T6 @ +50°C T5 @ +55°C T4 @ +60°C
Weight:	5,36 kg

### Certificates

ATEX, IECEX, EAC TC-RU, NEMA 4X

### Marking

Empty enclosures:

Ex II 2G Ex eb IIC / Ex II 2D Ex tb IIIC

Terminal Boxes:

Ex II 2G Ex eb ia IIC/IIB/IIA T6/T5/T4

Ex II 2D Ex tb IIIC T85°C/T100°C/T120°C

### Quantity of glands

Gland	M16	M20	M25
Side A / B	54	35	24
Side C / D	54	35	24

### Terminals

mm²	2,5	4	6	10
horizontal rail	2x44	2x37	2x30	2x23



- High chemical resistance
- International certificates available
- Self-assembly with terminals
- Suitable for all hygienic environments
- Robust construction
- Different surface finishes available

## Description

Stainless steel enclosures have been proven themselves even in the harshest of environments.

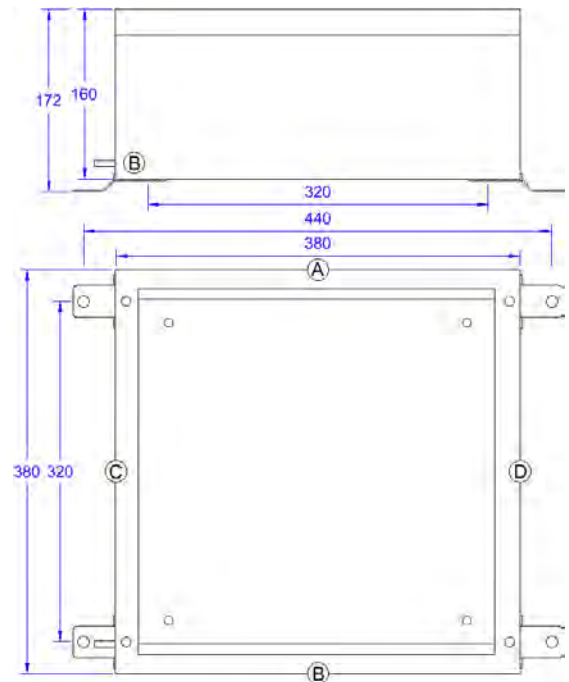
These robust enclosures can withstand harmful aggressive chemical and mechanical abuse.

The lid with integrated silicon gasket and high corrosion resistive stainless steel captive screws allows easy handling and reliability with a perfect weather seal.

The mounting lugs can be adjusted through 90° if required or alternatively use the 4no x M6 threaded bushes in the rear.

An optional mounting plate is available for ease of assembly.

M6 internal/external earth stud as standard.



## Possible Application

- Ex e / Ex i junction boxes
- Terminal boxes in hygienic environments

## Technical Data

Material:	Brushed Stainless Steel 1.2mm, 1.4404 / 316L
Option:	electro-polished/painted
Dimension (mm):	380 x 380 x 160
Mounting dim. (mm):	440 x 320 / 4x10,5Ø
from Backside (mm):	320 x 320 / 4xM6
Power dissipation:	57,0 Watt @ +40°C
for dust Ex:	28,5 Watt @ +40°C
Ingress protection:	IP 66
Impact resistance:	7 Joule
Min. ambient temp.:	-60°C
Temperature class:	T6 @ +50°C T5 @ +55°C T4 @ +60°C
Weight:	6,66 kg

## Certificates

ATEX, IECEx, EAC TC-RU, NEMA 4X

## Marking

Empty enclosures:

Ex II 2G Ex eb IIC / Ex II 2D Ex tb IIIC

Terminal Boxes:

Ex II 2G Ex eb ia IIC/IIB/IIA T6/T5/T4

Ex II 2D Ex tb IIIC T85°C/T100°C/T120°C

## Quantity of glands

Gland	M16	M20	M25
Side A / B	48	30	24
Side C / D	48	27	24

## Terminals

mm <sup>2</sup>	2,5	4	6	10
horizontal rail	3x59	3x50	3x41	3x31



- High chemical resistance
- International certificates available
- Self-assembly with terminals
- Suitable for all hygienic environments
- Robust construction
- Different surface finishes available

## Description

Stainless steel enclosures have been proven themselves even in the harshest of environments.

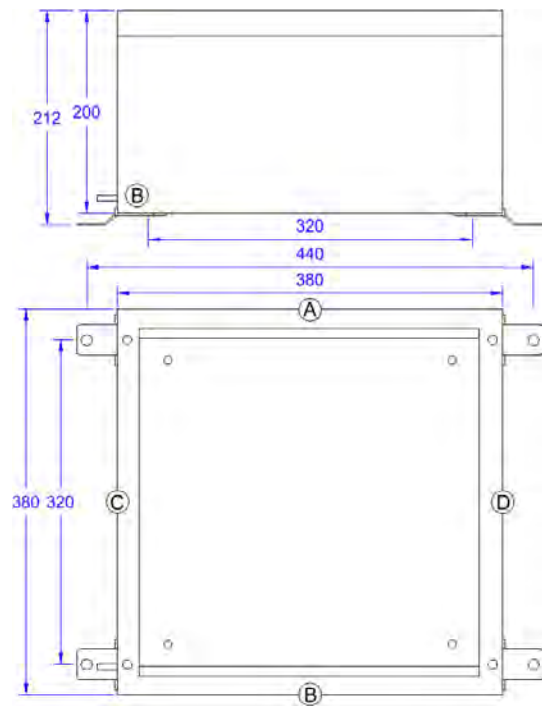
These robust enclosures can withstand harmful aggressive chemical and mechanical abuse.

The lid with integrated silicon gasket and high corrosion resistive stainless steel captive screws allows easy handling and reliability with a perfect weather seal.

The mounting lugs can be adjusted through 90° if required or alternatively use the 4no x M6 threaded bushes in the rear.

An optional mounting plate is available for ease of assembly.

M6 internal/external earth stud as standard.



## Possible Application

- Ex e / Ex i junction boxes
- Terminal boxes in hygienic environments

## Technical Data

Material:	Brushed Stainless Steel 1.2mm, 1.4404 / 316L
Option:	electro-polished/painted
Dimension (mm):	380 x 380 x 200
Mounting dim. (mm):	440 x 320 / 4x10,5Ø
from Backside (mm):	320 x 320 / 4xM6
Power dissipation:	64,0 Watt @ +40°C
for dust Ex:	32,0 Watt @ +40°C
Ingress protection:	IP 66
Impact resistance:	7 Joule
Min. ambient temp.:	-60°C
Temperature class:	T6 @ +50°C T5 @ +55°C T4 @ +60°C
Weight:	7,46 kg

## Certificates

ATEX, IECEx, EAC TC-RU, NEMA 4X

## Marking

Empty enclosures:

Ex II 2G Ex eb IIC / Ex II 2D Ex tb IIIC

Terminal Boxes:

Ex II 2G Ex eb ia IIC/IIB/IIA T6/T5/T4

Ex II 2D Ex tb IIIC T85°C/T100°C/T120°C

## Quantity of glands

Gland	M16	M20	M25
Side A / B	72	50	32
Side C / D	72	45	32

## Terminals

mm²	2,5	4	6	10
horizontal rail	3x59	3x50	3x41	3x31



- High chemical resistance
- International certificates available
- Self-assembly with terminals
- Suitable for all hygienic environments
- Robust construction
- Different surface finishes available

## Description

Stainless steel enclosures have been proven themselves even in the harshest of environments.

These robust enclosures can withstand harmful aggressive chemical and mechanical abuse.

The lid with integrated silicon gasket and high corrosion resistive stainless steel captive screws allows easy handling and reliability with a perfect weather seal.

The mounting lugs can be adjusted through 90° if required or alternatively use the 4no x M6 threaded bushes in the rear.

An optional mounting plate is available for ease of assembly.

M6 internal/external earth stud as standard.



## Possible Application

- Ex e / Ex i junction boxes
- Terminal boxes in hygienic environments

## Technical Data

Material:	Brushed Stainless Steel
Option:	1.2mm, 1.4404 / 316L electro-polished/painted
Dimension (mm):	400 x 150 x 80
Mounting dim. (mm):	460 x 90 / 4x10,5Ø
from Backside (mm):	340 x 90 / 4xM6
Power dissipation:	23,0 Watt @ +40°C
for dust Ex:	11,5 Watt @ +40°C
Ingress protection:	IP 66
Impact resistance:	7 Joule
Min. ambient temp.:	-60°C
Temperature class:	T6 @ +50°C T5 @ +55°C T4 @ +60°C
Weight:	2,76 kg

## Certificates

ATEX, IECEx, EAC TC-RU, NEMA 4X

## Marking

Empty enclosures:

⊕ II 2G Ex eb IIC / ⊕ II 2D Ex tb IIIC

Terminal Boxes:

⊕ II 2G Ex eb ia IIC/IIB/IIA T6/T5/T4

⊕ II 2D Ex tb IIIC T85°C/T100°C/T120°C

## Quantity of glands

Gland	M16	M20	M25
Side A / B	26	10	9
Side C / D	6	3	2

## Terminals

mm <sup>2</sup>	2,5	4	6	10
horizontal rail	63	53	44	33



- High chemical resistance
- Suitable for all hygienic environments
- International certificates available
- Robust construction
- Self-assembly with terminals
- Different surface finishes available

## Description

Stainless steel enclosures have been proven themselves even in the harshest of environments.

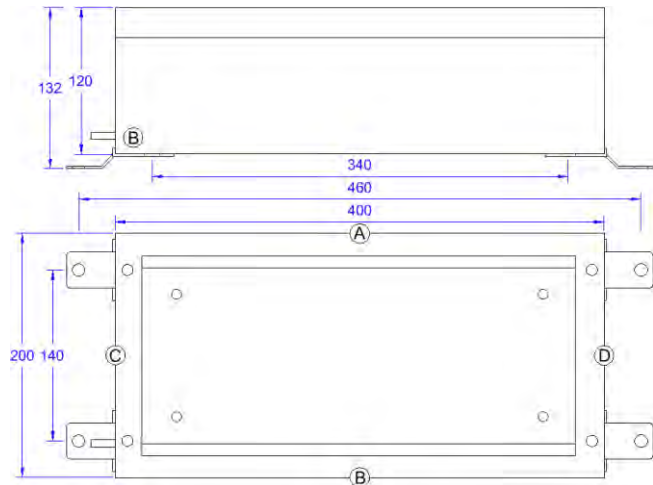
These robust enclosures can withstand harmful aggressive chemical and mechanical abuse.

The lid with integrated silicon gasket and high corrosion resistive stainless steel captive screws allows easy handling and reliability with a perfect weather seal.

The mounting lugs can be adjusted through 90° if required or alternatively use the 4no x M6 threaded bushes in the rear.

An optional mounting plate is available for ease of assembly.

M6 internal/external earth stud as standard.



## Possible Application

- Ex e / Ex i junction boxes
- Terminal boxes in hygienic environments

## Technical Data

Material:	Brushed Stainless Steel 1.2mm, 1.4404 / 316L
Option:	electro-polished/painted
Dimension (mm):	400 x 200 x 120
Mounting dim. (mm):	460 x 140 / 4x10,5Ø
from Backside (mm):	340 x 140 / 4xM6
Power dissipation:	33,0 Watt @ +40°C
for dust Ex:	16,5 Watt @ +40°C
Ingress protection:	IP 66
Impact resistance:	7 Joule
Min. ambient temp.:	-60°C
Temperature class:	T6 @ +50°C T5 @ +55°C T4 @ +60°C
Weight:	3,96 kg

## Certificates

ATEX, IECEX, EAC TC-RU, NEMA 4X

## Marking

Empty enclosures:

Ex II 2G Ex eb IIC / Ex II 2D Ex tb IIIC

Terminal Boxes:

Ex II 2G Ex eb ia IIC/IIB/IIA T6/T5/T4

Ex II 2D Ex tb IIIC T85°C/T100°C/T120°C

## Quantity of glands

Gland	M16	M20	M25
Side A / B	39	20	18
Side C / D	15	8	6

## Terminals

mm²	2,5	4	6	10
horizontal rail	63	53	44	33



- High chemical resistance
- International certificates available
- Self-assembly with terminals
- Suitable for all hygienic environments
- Robust construction
- Different surface finishes available

## Description

Stainless steel enclosures have been proven themselves even in the harshest of environments.

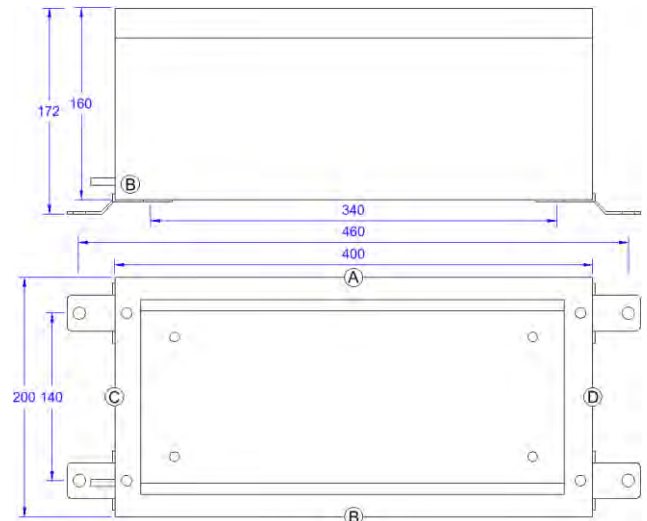
These robust enclosures can withstand harmful aggressive chemical and mechanical abuse.

The lid with integrated silicon gasket and high corrosion resistive stainless steel captive screws allows easy handling and reliability with a perfect weather seal.

The mounting lugs can be adjusted through 90° if required or alternatively use the 4no x M6 threaded bushes in the rear.

An optional mounting plate is available for ease of assembly.

M6 internal/external earth stud as standard.



## Possible Application

- Ex e / Ex i junction boxes
- Terminal boxes in hygienic environments

## Technical Data

Material:	Brushed Stainless Steel 1.2mm, 1.4404 / 316L
Option:	electro-polished/painted
Dimension (mm):	400 x 200 x 160
Mounting dim. (mm):	460 x 140 / 4x10,5Ø
from Backside (mm):	340 x 140 / 4xM6
Power dissipation:	39,0 Watt @ +40°C
for dust Ex:	19,5 Watt @ +40°C
Ingress protection:	IP 66
Impact resistance:	7 Joule
Min. ambient temp.:	-60°C
Temperature class:	T6 @ +50°C T5 @ +55°C T4 @ +60°C
Weight:	4,56 kg

## Certificates

ATEX, IECEx, EAC TC-RU, NEMA 4X

## Marking

Empty enclosures:

⊕ II 2G Ex eb IIC / ⊕ II 2D Ex tb IIIC

Terminal Boxes:

⊕ II 2G Ex eb ia IIC/IIB/IIA T6/T5/T4

⊕ II 2D Ex tb IIIC T85°C/T100°C/T120°C

## Quantity of glands

Gland	M16	M20	M25
Side A / B	52	30	27
Side C / D	20	12	9

## Terminals

mm <sup>2</sup>	2,5	4	6	10
horizontal rail	63	53	44	33



- High chemical resistance
- International certificates available
- Self-assembly with terminals
- Suitable for all hygienic environments
- Robust construction
- Different surface finishes available

## Description

Stainless steel enclosures have been proven themselves even in the harshest of environments.

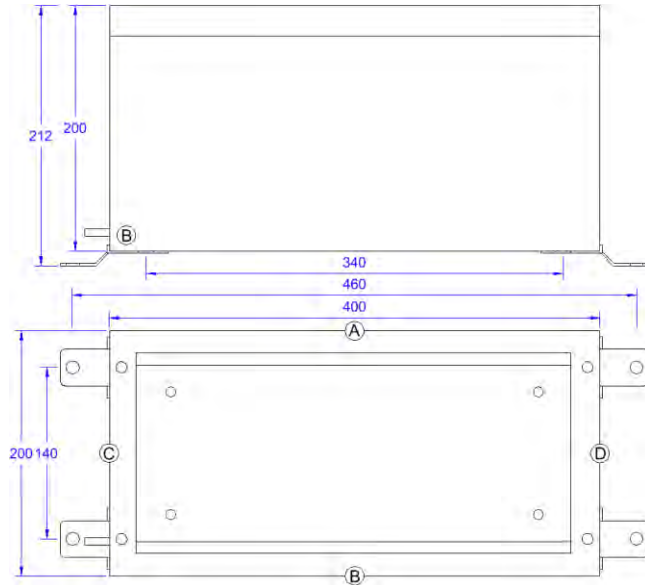
These robust enclosures can withstand harmful aggressive chemical and mechanical abuse.

The lid with integrated silicon gasket and high corrosion resistive stainless steel captive screws allows easy handling and reliability with a perfect weather seal.

The mounting lugs can be adjusted through 90° if required or alternatively use the 4no x M6 threaded bushes in the rear.

An optional mounting plate is available for ease of assembly.

M6 internal/external earth stud as standard.



## Possible Application

- Ex e / Ex i junction boxes
- Terminal boxes in hygienic environments

## Technical Data

Material:	Brushed Stainless Steel 1.2mm, 1.4404 / 316L
Option:	electro-polished/painted
Dimension (mm):	400 x 200 x 200
Mounting dim. (mm):	460 x 140 / 4x10,5Ø
from Backside (mm):	340 x 140 / 4xM6
Power dissipation:	45,0 Watt @ +40°C
for dust Ex:	22,5 Watt @ +40°C
Ingress protection:	IP 66
Impact resistance:	7 Joule
Min. ambient temp.:	-60°C
Temperature class:	T6 @ +50°C T5 @ +55°C T4 @ +60°C
Weight:	5,06 kg

## Certificates

ATEX, IECEX, EAC TC-RU, NEMA 4X

## Marking

Empty enclosures:

Ex II 2G Ex eb IIC / Ex II 2D Ex tb IIIC

Terminal Boxes:

Ex II 2G Ex eb ia IIC/IIB/IIA T6/T5/T4

Ex II 2D Ex tb IIIC T85°C/T100°C/T120°C

## Quantity of glands

Gland	M16	M20	M25
Side A / B	78	50	36
Side C / D	30	20	12

## Terminals

mm²	2,5	4	6	10
horizontal rail	63	53	44	33





- High chemical resistance
- International certificates available
- Self-assembly with terminals
- Suitable for all hygienic environments
- Robust construction
- Different surface finishes available

## Description

Stainless steel enclosures have been proven themselves even in the harshest of environments.

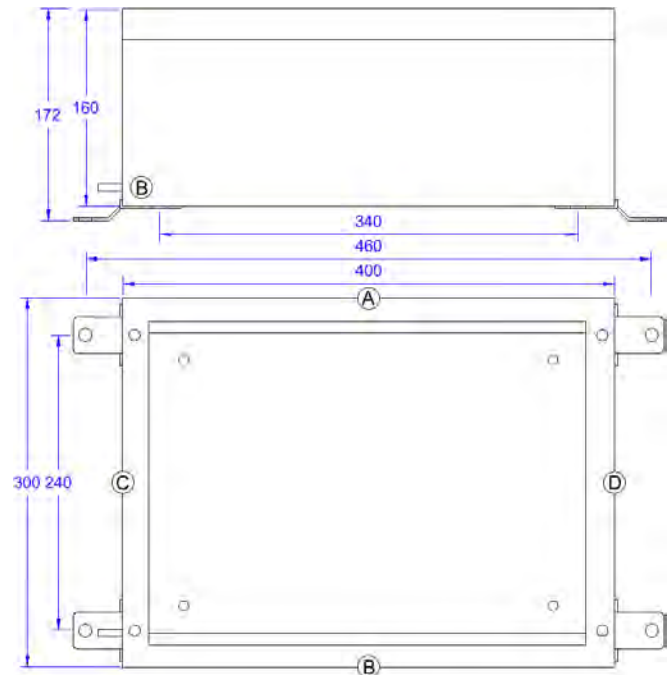
These robust enclosures can withstand harmful aggressive chemical and mechanical abuse.

The lid with integrated silicon gasket and high corrosion resistive stainless steel captive screws allows easy handling and reliability with a perfect weather seal.

The mounting lugs can be adjusted through 90° if required or alternatively use the 4no x M6 threaded bushes in the rear.

An optional mounting plate is available for ease of assembly.

M6 internal/external earth stud as standard.



## Possible Application

- Ex e / Ex i junction boxes
- Terminal boxes in hygienic environments

## Technical Data

Material:	Brushed Stainless Steel 1.2mm, 1.4404 / 316L
Option:	electro-polished/painted
Dimension (mm):	400 x 300 x 160
Mounting dim. (mm):	460 x 240 / 4x10,5Ø
from Backside (mm):	340 x 240 / 4xM6
Power dissipation:	50,0 Watt @ +40°C
for dust Ex:	25,0 Watt @ +40°C
Ingress protection:	IP 66
Impact resistance:	7 Joule
Min. ambient temp.:	-60°C
Temperature class:	T6 @ +50°C T5 @ +55°C T4 @ +60°C
Weight:	5,86 kg

## Certificates

ATEX, IECEx, EAC TC-RU, NEMA 4X

## Marking

Empty enclosures:

Ex II 2G Ex eb IIC / Ex II 2D Ex tb IIIC

Terminal Boxes:

Ex II 2G Ex eb ia IIC/IIB/IIA T6/T5/T4

Ex II 2D Ex tb IIIC T85°C/T100°C/T120°C

## Quantity of glands

Gland	M16	M20	M25
Side A / B	52	30	27
Side C / D	36	21	18

## Terminals

mm <sup>2</sup>	2,5	4	6	10
horizontal rail	2x63	2x53	2x44	2x33



- High chemical resistance
- International certificates available
- Self-assembly with terminals
- Suitable for all hygienic environments
- Robust construction
- Different surface finishes available

## Description

Stainless steel enclosures have been proven themselves even in the harshest of environments.

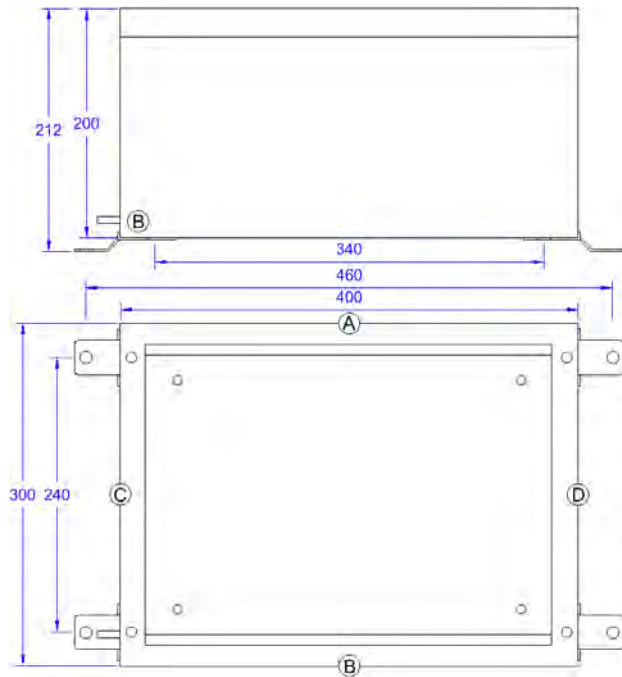
These robust enclosures can withstand harmful aggressive chemical and mechanical abuse.

The lid with integrated silicon gasket and high corrosion resistive stainless steel captive screws allows easy handling and reliability with a perfect weather seal.

The mounting lugs can be adjusted through 90° if required or alternatively use the 4no x M6 threaded bushes in the rear.

An optional mounting plate is available for ease of assembly.

M6 internal/external earth stud as standard.



## Possible Application

- Ex e / Ex i junction boxes
- Terminal boxes in hygienic environments

## Technical Data

Material:	Brushed Stainless Steel 1.2mm, 1.4404 / 316L
Option:	electro-polished/painted
Dimension (mm):	400 x 300 x 200
Mounting dim. (mm):	460 x 240 / 4x10,5Ø
from Backside (mm):	340 x 240 / 4xM6
Power dissipation:	57,0 Watt @ +40°C
for dust Ex:	28,5 Watt @ +40°C
Ingress protection:	IP 66
Impact resistance:	7 Joule
Min. ambient temp.:	-60°C
Temperature class:	T6 @ +50°C T5 @ +55°C T4 @ +60°C
Weight:	6,56 kg

## Certificates

ATEX, IECEX, EAC TC-RU, NEMA 4X

## Marking

Empty enclosures:

Ex II 2G Ex eb IIC / Ex II 2D Ex tb IIIC

Terminal Boxes:

Ex II 2G Ex eb ia IIC/IIB/IIA T6/T5/T4

Ex II 2D Ex tb IIIC T85°C/T100°C/T120°C

## Quantity of glands

Gland	M16	M20	M25
Side A / B	78	50	36
Side C / D	54	35	24

## Terminals

mm²	2,5	4	6	10
horizontal rail	2x63	2x53	2x44	2x33



- High chemical resistance
- International certificates available
- Self-assembly with terminals
- Suitable for all hygienic environments
- Robust construction
- Different surface finishes available

## Description

Stainless steel enclosures have been proven themselves even in the harshest of environments.

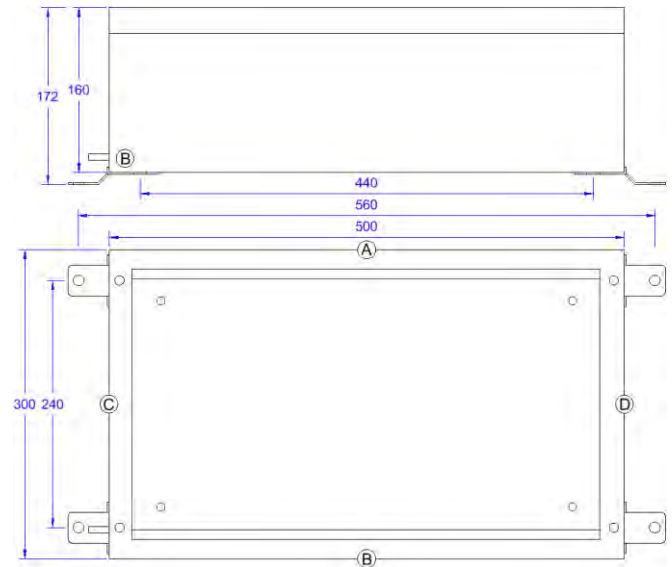
These robust enclosures can withstand harmful aggressive chemical and mechanical abuse.

The lid with integrated silicon gasket and high corrosion resistive stainless steel captive screws allows easy handling and reliability with a perfect weather seal.

The mounting lugs can be adjusted through 90° if required or alternatively use the 4no x M6 threaded bushes in the rear.

An optional mounting plate is available for ease of assembly.

M6 internal/external earth stud as standard.



## Possible Application

- Ex e / Ex i junction boxes
- Terminal boxes in hygienic environments

## Technical Data

Material:	Brushed Stainless Steel 1.2mm, 1.4404 / 316L
Option:	electro-polished/painted
Dimension (mm):	500 x 300 x 160
Mounting dim. (mm):	560 x 240 / 4x10,5Ø
from Backside (mm):	440 x 240 / 4xM6
Power dissipation:	61,0 Watt @ +40°C
for dust Ex:	30,5 Watt @ +40°C
Ingress protection:	IP 66
Impact resistance:	7 Joule
Min. ambient temp.:	-60°C
Temperature class:	T6 @ +50°C T5 @ +55°C T4 @ +60°C
Weight:	6,96 kg

## Certificates

ATEX, IECEx, EAC TC-RU, NEMA 4X

## Marking

Empty enclosures:

Ex II 2G Ex eb IIC / Ex II 2D Ex tb IIIC

Terminal Boxes:

Ex II 2G Ex eb ia IIC/IIB/IIA T6/T5/T4

Ex II 2D Ex tb IIIC T85°C/T100°C/T120°C

## Quantity of glands

Gland	M16	M20	M25
Side A / B	68	39	33
Side C / D	36	21	18

## Terminals

mm <sup>2</sup>	2,5	4	6	10
horizontal rail	2x82	2x69	2x57	2x43



- High chemical resistance
- International certificates available
- Self-assembly with terminals
- Suitable for all hygienic environments
- Robust construction
- Different surface finishes available

## Description

Stainless steel enclosures have been proven themselves even in the harshest of environments.

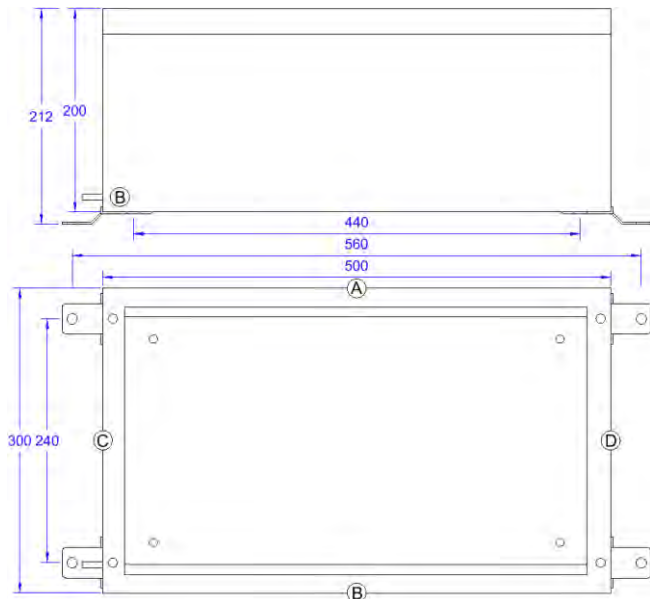
These robust enclosures can withstand harmful aggressive chemical and mechanical abuse.

The lid with integrated silicon gasket and high corrosion resistive stainless steel captive screws allows easy handling and reliability with a perfect weather seal.

The mounting lugs can be adjusted through 90° if required or alternatively use the 4no x M6 threaded bushes in the rear.

An optional mounting plate is available for ease of assembly.

M6 internal/external earth stud as standard.



## Possible Application

- Ex e / Ex i junction boxes
- Terminal boxes in hygienic environments

## Technical Data

Material:	Brushed Stainless Steel 1.2mm, 1.4404 / 316L
Option:	electro-polished/painted
Dimension (mm):	500 x 300 x 200
Mounting dim. (mm):	560 x 240 / 4x10,5Ø
from Backside (mm):	440 x 240 / 4xM6
Power dissipation:	68,0 Watt @ +40°C
for dust Ex:	34,0 Watt @ +40°C
Ingress protection:	IP 66
Impact resistance:	7 Joule
Min. ambient temp.:	-60°C
Temperature class:	T6 @ +50°C T5 @ +55°C T4 @ +60°C
Weight:	7,76 kg

## Certificates

ATEX, IECEX, EAC TC-RU, NEMA 4X

## Marking

Empty enclosures:

⊕ II 2G Ex eb IIC / ⊕ II 2D Ex tb IIIC

Terminal Boxes:

⊕ II 2G Ex eb ia IIC/IIB/IIA T6/T5/T4

⊕ II 2D Ex tb IIIC T85°C/T100°C/T120°C

## Quantity of glands

Gland	M16	M20	M25
Side A / B	102	65	44
Side C / D	54	35	24

## Terminals

mm <sup>2</sup>	2,5	4	6	10
horizontal rail	2x82	2x69	2x57	2x43



- High chemical resistance
- International certificates available
- Self-assembly with terminals
- Suitable for all hygienic environments
- Robust construction
- Different surface finishes available

## Description

Stainless steel enclosures have been proven themselves even in the harshest of environments.

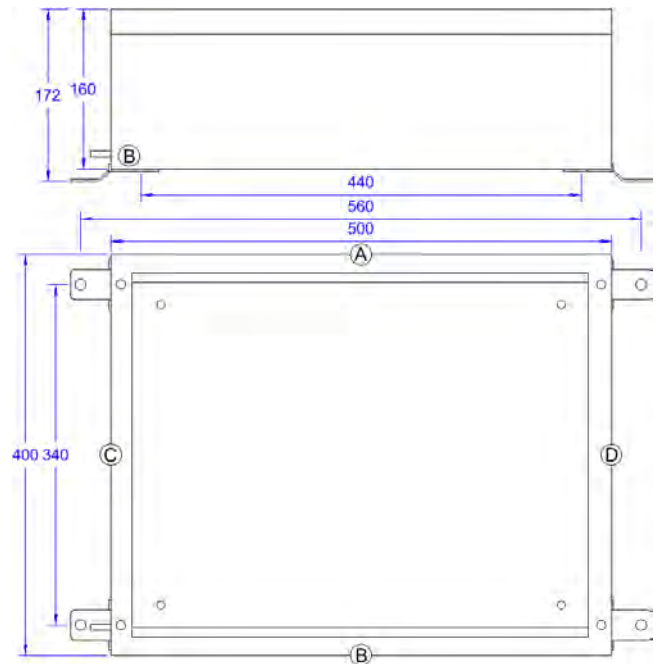
These robust enclosures can withstand harmful aggressive chemical and mechanical abuse.

The lid with integrated silicon gasket and high corrosion resistive stainless steel captive screws allows easy handling and reliability with a perfect weather seal.

The mounting lugs can be adjusted through 90° if required or alternatively use the 4no x M6 threaded bushes in the rear.

An optional mounting plate is available for ease of assembly.

M6 internal/external earth stud as standard.



## Possible Application

- Ex e / Ex i junction boxes
- Terminal boxes in hygienic environments

## Technical Data

Material:	Brushed Stainless Steel
Option:	1.2mm, 1.4404 / 316L electro-polished/painted
Dimension (mm):	500 x 400 x 160
Mounting dim. (mm):	560 x 340 / 4x10,5Ø
from Backside (mm):	440 x 340 / 4xM6
Power dissipation:	74,0 Watt @ +40°C
for dust Ex:	37,0 Watt @ +40°C
Ingress protection:	IP 66
Impact resistance:	7 Joule
Min. ambient temp.:	-60°C
Temperature class:	T6 @ +50°C T5 @ +55°C T4 @ +60°C
Weight:	8,56 kg

## Certificates

ATEX, IECEx, EAC TC-RU, NEMA 4X

## Marking

Empty enclosures:

Ex II 2G Ex eb IIC / Ex II 2D Ex tb IIIC

Terminal Boxes:

Ex II 2G Ex eb ia IIC/IIB/IIA T6/T5/T4

Ex II 2D Ex tb IIIC T85°C/T100°C/T120°C

## Quantity of glands

Gland	M16	M20	M25
Side A / B	68	39	33
Side C / D	48	30	24

## Terminals

mm <sup>2</sup>	2,5	4	6	10
horizontal rail	3x82	3x69	3x57	3x43



- High chemical resistance
- International certificates available
- Self-assembly with terminals
- Suitable for all hygienic environments
- Robust construction
- Different surface finishes available

## Description

Stainless steel enclosures have been proven themselves even in the harshest of environments.

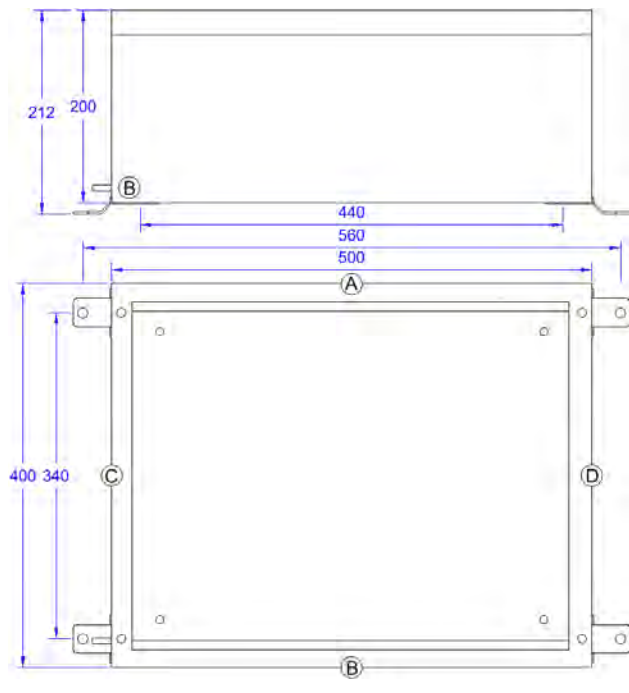
These robust enclosures can withstand harmful aggressive chemical and mechanical abuse.

The lid with integrated silicon gasket and high corrosion resistive stainless steel captive screws allows easy handling and reliability with a perfect weather seal.

The mounting lugs can be adjusted through 90° if required or alternatively use the 4no x M6 threaded bushes in the rear.

An optional mounting plate is available for ease of assembly.

M6 internal/external earth stud as standard.



## Possible Application

- Ex e / Ex i junction boxes
- Terminal boxes in hygienic environments

## Technical Data

Material:	Brushed Stainless Steel 1.2mm, 1.4404 / 316L
Option:	electro-polished/painted
Dimension (mm):	500 x 400 x 200
Mounting dim. (mm):	560 x 340 / 4x10,5Ø
from Backside (mm):	440 x 340 / 4xM6
Power dissipation:	82,0 Watt @ +40°C
for dust Ex:	41,0 Watt @ +40°C
Ingress protection:	IP 66
Impact resistance:	7 Joule
Min. ambient temp.:	-60°C
Temperature class:	T6 @ +50°C T5 @ +55°C T4 @ +60°C
Weight:	9,46 kg

## Certificates

ATEX, IECEX, EAC TC-RU, NEMA 4X

## Marking

Empty enclosures:

Ex II 2G Ex eb IIC / Ex II 2D Ex tb IIIC

Terminal Boxes:

Ex II 2G Ex eb ia IIC/IIB/IIA T6/T5/T4

Ex II 2D Ex tb IIIC T85°C/T100°C/T120°C

## Quantity of glands

Gland	M16	M20	M25
Side A / B	102	65	44
Side C / D	72	50	32

## Terminals

mm²	2,5	4	6	10
horizontal rail	3x82	3x69	3x57	3x43



- High chemical resistance
- International certificates available
- Self-assembly with terminals
- Suitable for all hygienic environments
- Robust construction
- Different surface finishes available

## Description

Stainless steel enclosures have been proven themselves even in the harshest of environments.

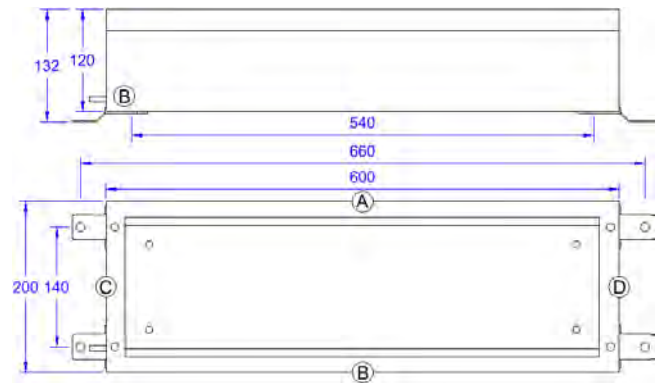
These robust enclosures can withstand harmful aggressive chemical and mechanical abuse.

The lid with integrated silicon gasket and high corrosion resistive stainless steel captive screws allows easy handling and reliability with a perfect weather seal.

The mounting lugs can be adjusted through 90° if required or alternatively use the 4no x M6 threaded bushes in the rear.

An optional mounting plate is available for ease of assembly.

M6 internal/external earth stud as standard.



## Possible Application

- Ex e / Ex i junction boxes
- Terminal boxes in hygienic environments

## Technical Data

Material:	Brushed Stainless Steel 1.2mm, 1.4404 / 316L
Option:	electro-polished/painted
Dimension (mm):	600 x 200 x 120
Mounting dim. (mm):	660 x 140 / 4x10,5Ø
from Backside (mm):	540 x 140 / 4xM6
Power dissipation:	48,0 Watt @ +40°C
for dust Ex:	24,0 Watt @ +40°C
Ingress protection:	IP 66
Impact resistance:	7 Joule
Min. ambient temp.:	-60°C
Temperature class:	T6 @ +50°C T5 @ +55°C T4 @ +60°C
Weight:	5,46 kg

## Certificates

ATEX, IECEx, EAC TC-RU, NEMA 4X

## Marking

Empty enclosures:

⊕ II 2G Ex eb IIC / ⊕ II 2D Ex tb IIIC

Terminal Boxes:

⊕ II 2G Ex eb ia IIC/IIB/IIA T6/T5/T4

⊕ II 2D Ex tb IIIC T85°C/T100°C/T120°C

## Quantity of glands

Gland	M16	M20	M25
Side A / B	60	32	28
Side C / D	15	8	6

## Terminals

mm <sup>2</sup>	2,5	4	6	10
horizontal rail	101	85	70	53



- High chemical resistance
  - International certificates available
  - Self-assembly with terminals
- Suitable for all hygienic environments
  - Robust construction
  - Different surface finishes available

## Description

Stainless steel enclosures have been proven themselves even in the harshest of environments.

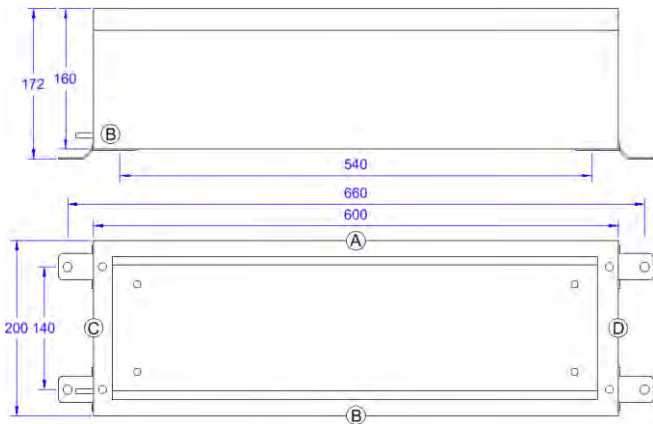
These robust enclosures can withstand harmful aggressive chemical and mechanical abuse.

The lid with integrated silicon gasket and high corrosion resistive stainless steel captive screws allows easy handling and reliability with a perfect weather seal.

The mounting lugs can be adjusted through 90° if required or alternatively use the 4no x M6 threaded bushes in the rear.

An optional mounting plate is available for ease of assembly.

M6 internal/external earth stud as standard.



## Possible Application

- Ex e / Ex i junction boxes
- Terminal boxes in hygienic environments

## Technical Data

Material:	Brushed Stainless Steel 1.2mm, 1.4404 / 316L
Option:	electro-polished/painted
Dimension (mm):	600 x 200 x 160
Mounting dim. (mm):	660 x 140 / 4x10,5Ø
from Backside (mm):	540 x 140 / 4xM6
Power dissipation:	56,0 Watt @ +40°C
for dust Ex:	28,0 Watt @ +40°C
Ingress protection:	IP 66
Impact resistance:	7 Joule
Min. ambient temp.:	-60°C
Temperature class:	T6 @ +50°C T5 @ +55°C T4 @ +60°C
Weight:	6,26 kg

## Certificates

ATEX, IECEX, EAC TC-RU, NEMA 4X

## Marking

Empty enclosures:

⊕ Ex II 2G Ex eb IIC / ⊕ Ex II 2D Ex tb IIIC

Terminal Boxes:

⊕ Ex II 2G Ex eb ia IIC/IIB/IIA T6/T5/T4

⊕ Ex II 2D Ex tb IIIC T85°C/T100°C/T120°C

## Quantity of glands

Gland	M16	M20	M25
Side A / B	80	48	42
Side C / D	20	12	9

## Terminals

mm <sup>2</sup>	2,5	4	6	10
horizontal rail	101	85	70	53





- High chemical resistance
- International certificates available
- Self-assembly with terminals
- Suitable for all hygienic environments
- Robust construction
- Different surface finishes available

## Description

Stainless steel enclosures have been proven themselves even in the harshest of environments.

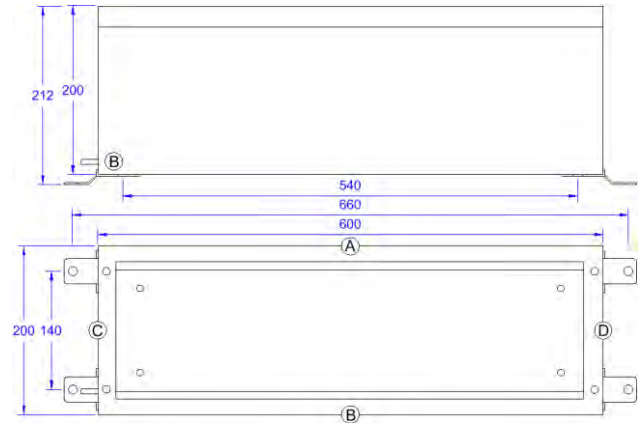
These robust enclosures can withstand harmful aggressive chemical and mechanical abuse.

The lid with integrated silicon gasket and high corrosion resistive stainless steel captive screws allows easy handling and reliability with a perfect weather seal.

The mounting lugs can be adjusted through 90° if required or alternatively use the 4no x M6 threaded bushes in the rear.

An optional mounting plate is available for ease of assembly.

M6 internal/external earth stud as standard.



## Possible Application

- Ex e / Ex i junction boxes
- Terminal boxes in hygienic environments

## Technical Data

Material:	Brushed Stainless Steel 1.2mm, 1.4404 / 316L
Option:	electro-polished/painted
Dimension (mm):	600 x 200 x 200
Mounting dim. (mm):	660 x 140 / 4x10,5Ø
from Backside (mm):	540 x 140 / 4xM6
Power dissipation:	63,0 Watt @ +40°C
for dust Ex:	31,5 Watt @ +40°C
Ingress protection:	IP 66
Impact resistance:	7 Joule
Min. ambient temp.:	-60°C
Temperature class:	T6 @ +50°C T5 @ +55°C T4 @ +60°C
Weight:	7,06 kg

## Certificates

ATEX, IECEx, EAC TC-RU, NEMA 4X

## Marking

Empty enclosures:

Ex II 2G Ex eb IIC / Ex II 2D Ex tb IIIC

Terminal Boxes:

Ex II 2G Ex eb ia IIC/IIB/IIA T6/T5/T4

Ex II 2D Ex tb IIIC T85°C/T100°C/T120°C

## Quantity of glands

Gland	M16	M20	M25
Side A / B	120	80	56
Side C / D	30	20	12

## Terminals

mm <sup>2</sup>	2,5	4	6	10
horizontal rail	101	85	70	53



- High chemical resistance
- Suitable for all hygienic environments
- International certificates available
- Robust construction
- Self-assembly with terminals
- Different surface finishes available

## Description

Stainless steel enclosures have been proven themselves even in the harshest of environments.

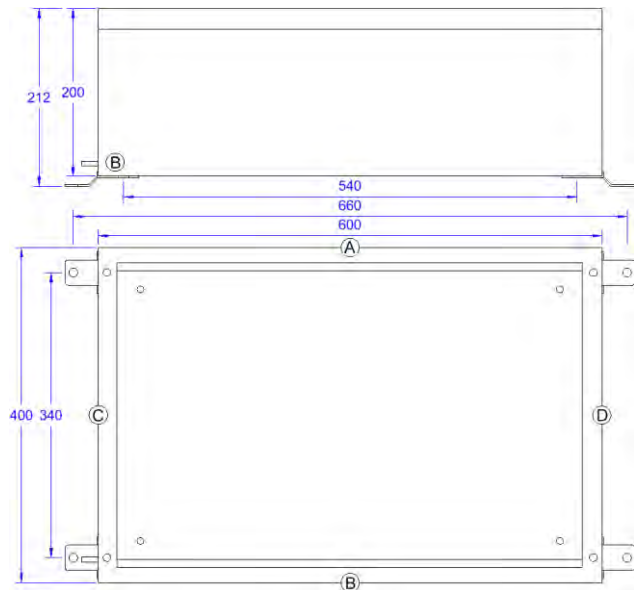
These robust enclosures can withstand harmful aggressive chemical and mechanical abuse.

The lid with integrated silicon gasket and high corrosion resistive stainless steel captive screws allows easy handling and reliability with a perfect weather seal.

The mounting lugs can be adjusted through 90° if required or alternatively use the 4no x M6 threaded bushes in the rear.

An optional mounting plate is available for ease of assembly.

M6 internal/external earth stud as standard.



## Possible Application

- Ex e / Ex i junction boxes
- Terminal boxes in hygienic environments

## Technical Data

Material:	Brushed Stainless Steel 1.2mm, 1.4404 / 316L
Option:	electro-polished/painted
Dimension (mm):	600 x 400 x 200
Mounting dim. (mm):	660 x 340 / 4x10,5Ø
from Backside (mm):	540 x 340 / 4xM6
Power dissipation:	96,0 Watt @ +40°C
for dust Ex:	48,0 Watt @ +40°C
Ingress protection:	IP 66
Impact resistance:	7 Joule
Min. ambient temp.:	-60°C
Temperature class:	T6 @ +50°C T5 @ +55°C T4 @ +60°C
Weight:	10,86 kg

## Certificates

ATEX, IECEX, EAC TC-RU, NEMA 4X

## Marking

Empty enclosures:

⊕ Ex II 2G Ex eb IIC / ⊕ Ex II 2D Ex tb IIIC

Terminal Boxes:

⊕ Ex II 2G Ex eb ia IIC/IIB/IIA T6/T5/T4

⊕ Ex II 2D Ex tb IIIC T85°C/T100°C/T120°C

## Quantity of glands

Gland	M16	M20	M25
Side A / B	120	80	56
Side C / D	72	50	32

## Terminals

mm <sup>2</sup>	2,5	4	6	10
horizontal rail	3x101	3x85	3x70	3x53



- High chemical resistance
- International certificates available
- Self-assembly with terminals
- Suitable for all hygienic environments
- Robust construction
- Different surface finishes available

## Description

Stainless steel enclosures have been proven themselves even in the harshest of environments.

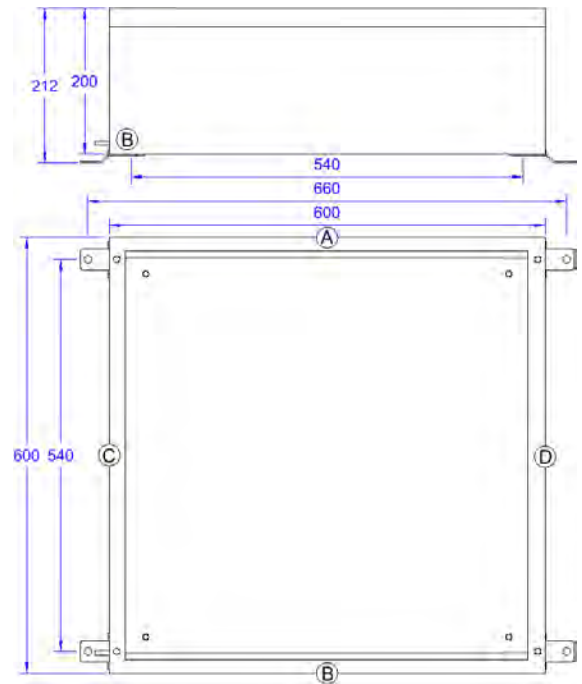
These robust enclosures can withstand harmful aggressive chemical and mechanical abuse.

The lid with integrated silicon gasket and high corrosion resistive stainless steel captive screws allows easy handling and reliability with a perfect weather seal.

The mounting lugs can be adjusted through 90° if required or alternatively use the 4no x M6 threaded bushes in the rear.

An optional mounting plate is available for ease of assembly.

M6 internal/external earth stud as standard.



## Possible Application

- Ex e / Ex i junction boxes
- Terminal boxes in hygienic environments

## Technical Data

Material:	Brushed Stainless Steel 1.2mm, 1.4404 / 316L
Option:	electro-polished/painted
Dimension (mm):	600 x 600 x 200
Mounting dim. (mm):	660 x 540 / 4x10,5Ø
from Backside (mm):	540 x 540 / 4xM6
Power dissipation:	128,0 Watt @ +40°C
for dust Ex:	64,0 Watt @ +40°C
Ingress protection:	IP 66
Impact resistance:	7 Joule
Min. ambient temp.:	-60°C
Temperature class:	T6 @ +50°C T5 @ +55°C T4 @ +60°C
Weight:	14,66 kg

## Certificates

ATEX, IECEx, EAC TC-RU, NEMA 4X

## Marking

Empty enclosures:

Ex II 2G Ex eb IIC / Ex II 2D Ex tb IIIC

Terminal Boxes:

Ex II 2G Ex eb ia IIC/IIB/IIA T6/T5/T4

Ex II 2D Ex tb IIIC T85°C/T100°C/T120°C

## Quantity of glands

Gland	M16	M20	M25
Side A / B	120	80	56
Side C / D	114	75	52

## Terminals

mm²	2,5	4	6	10
horizontal rail	5x101	5x85	5x70	5x53

# QX-V...Terminal Configuration



Stainless steel enclosures

Ex e / Ex i terminal boxes

Mixed configuration can be determined by percentage calculation

E.g.: QX-V5I: 12 x 2,5 with 20 A = 50%  
 3 x 4 with 35 A = 43%  
 Result = 93% -> OK

		QX-V11 (150 x 100 x 60 mm)															
		Querschnitt / Cross-section in mm <sup>2</sup>															
		1,5	2,5	4	6	10	16	25	35	50	70	95	120	150	185	240	300
Strom [A] Current [A]																	
6																	
10	33																
16	11	22	86														
20	4	13	25														
25		6	14	27													
35			4	10	26												
50					8	22											
63					2	10	36										
80						3	11	40									
100							4	10									
125								4	10								
160									3	9							
200										3	8	25					
225											4	10					
250											2	6	12				
315												3	7				
400															5	15	
500																	3

In diesem Bereich kann unter Beachtung der Hinweise und der festgelegten Einbaumaße im Gehäuse beliebig zusätzlich bestückt werden.  
*In this area you can add terminals in notice of the references and the defined assembly dimensions of the enclosure*

Bestückungen in diesem Bereich erfordern einen gesonderten Erwärmungsnachweis.  
*You need proof of warming for adding terminals in this area.*

		QX-V21 (150 x 150 x 80 mm)															
		Querschnitt / Cross-section in mm <sup>2</sup>															
		1,5	2,5	4	6	10	16	25	35	50	70	95	120	150	185	240	300
Strom [A] Current [A]																	
6																	
10	44																
16	15	29	114														
20	6	17	33														
25		8	18	36													
35			5	14	35												
50				2	11	29											
63					3	13	48										
80						5	15	53									
100							6	14									
125								5	14								
160									5	12							
200										4	11	33					
225											6	13					
250											3	8	16				
315												4	10				
400													2	6	20		
500																	4

In diesem Bereich kann unter Beachtung der Hinweise und der festgelegten Einbaumaße im Gehäuse beliebig zusätzlich bestückt werden.  
*In this area you can add terminals in notice of the references and the defined assembly dimensions of the enclosure*

Bestückungen in diesem Bereich erfordern einen gesonderten Erwärmungsnachweis.  
*You need proof of warming for adding terminals in this area.*

# QX-V...Terminal Configuration

Erfahrung ist Zukunft



Stainless steel enclosures

Ex e / Ex i terminal boxes

		QX-V3I (200 x 150 x 60 mm)															
		Querschnitt / Cross-section in mm <sup>2</sup>															
		1,5	2,5	4	6	10	16	25	35	50	70	95	120	150	185	240	300
Strom [A]	Current [A]																
6																	
10	41																
16	14	27	106														
20	5	16	30														
25		7	17	33													
35			5	13	32												
50					10	27											
63					3	12	44										
80						4	14	49									
100							6	13									
125								5	13								
160									4	11							
200										4	10	31					
225											5	12					
250											3	7	15				
315												4	9				
400													2	6	18		
500																	3

In diesem Bereich kann unter Beachtung der Hinweise und der festgelegten Einbaumaße im Gehäuse beliebig zusätzlich bestückt werden.  
*In this area you can add terminals in notice of the references and the defined assembly dimensions of the enclosure*

Bestückungen in diesem Bereich erfordern einen gesonderten Erwärmungsnachweis.  
*You need proof of warming for adding terminals in this area.*

		QX-V4I (200 x 200 x 80 mm)															
		Querschnitt / Cross-section in mm <sup>2</sup>															
		1,5	2,5	4	6	10	16	25	35	50	70	95	120	150	185	240	300
Strom [A]	Current [A]																
6																	
10	51																
16	17	34	132														
20	7	20	38														
25		9	21	42													
35			6	16	40												
50				2	13	33											
63					4	15	55										
80						6	17	62									
100							7	16									
125								6	16								
160									5	14							
200										5	12	39					
225											2	7	15				
250												3	9	19			
315													2	5	11		
400														2	8	23	
500																	4

In diesem Bereich kann unter Beachtung der Hinweise und der festgelegten Einbaumaße im Gehäuse beliebig zusätzlich bestückt werden.  
*In this area you can add terminals in notice of the references and the defined assembly dimensions of the enclosure*

Bestückungen in diesem Bereich erfordern einen gesonderten Erwärmungsnachweis.  
*You need proof of warming for adding terminals in this area.*

# QX-V...Terminal Configuration



Stainless steel enclosures

Ex e / Ex i terminal boxes

		QX-V5I (200 x 200 x 120 mm)															
		Querschnitt / Cross-section in mm <sup>2</sup>															
		1,5	2,5	4	6	10	16	25	35	50	70	95	120	150	185	240	300
Strom [A] Current [A]																	
6																	
10	62																
16	21	41	162														
20	9	24	47														
25		11	26	51													
35			7	20	49												
50				3	16	41											
63					5	19	68										
80						7	21	76									
100							9	20									
125								8	20								
160									7	18							
200										6	15	47					
225											2	9	18				
250												4	11	23			
315													2	6	14		
400															3	9	28
500																	5

In diesem Bereich kann unter Beachtung der Hinweise und der festgelegten Einbaumaße im Gehäuse beliebig zusätzlich bestückt werden.  
*In this area you can add terminals in notice of the references and the defined assembly dimensions of the enclosure*

Bestückungen in diesem Bereich erfordern einen gesonderten Erwärmungsnachweis.  
*You need proof of warming for adding terminals in this area.*

		QX-V6I (200 x 200 x 160 mm)															
		Querschnitt / Cross-section in mm <sup>2</sup>															
		1,5	2,5	4	6	10	16	25	35	50	70	95	120	150	185	240	300
Strom [A] Current [A]																	
6																	
10	74																
16	25	49	191														
20	10	28	55														
25		13	31	60													
35			9	23	59												
50				3	19	48											
63					6	22	80										
80						8	25	90									
100							10	23									
125								9	24								
160									8	21							
200										7	18	56					
225											2	10	22				
250												5	13	28			
315													2	8	16		
400															3	11	33
500																	6

In diesem Bereich kann unter Beachtung der Hinweise und der festgelegten Einbaumaße im Gehäuse beliebig zusätzlich bestückt werden.  
*In this area you can add terminals in notice of the references and the defined assembly dimensions of the enclosure*

Bestückungen in diesem Bereich erfordern einen gesonderten Erwärmungsnachweis.  
*You need proof of warming for adding terminals in this area.*

# QX-V...Terminal Configuration

Erfahrung ist Zukunft



Stainless steel enclosures

Ex e / Ex i terminal boxes

		QX-V7I (300 x 150 x 80 mm)															
		Querschnitt / Cross-section in mm <sup>2</sup>															
		1,5	2,5	4	6	10	16	25	35	50	70	95	120	150	185	240	300
Strom [A]	Current [A]																
6																	
10	48																
16	16	32	125														
20	7	19	36														
25		9	20	39													
35			6	15	38												
50				2	12	32											
63					4	14	52										
80						5	16	59									
100							7	15									
125								6	15								
160									5	14							
200										5	12	37					
225											7	14					
250											3	8	18				
315												5	11				
400													2	7	22		
500																4	

In diesem Bereich kann unter Beachtung der Hinweise und der festgelegten Einbaumaße im Gehäuse beliebig zusätzlich bestückt werden.  
*In this area you can add terminals in notice of the references and the defined assembly dimensions of the enclosure*

Bestückungen in diesem Bereich erfordern einen gesonderten Erwärmungsnachweis.  
*You need proof of warming for adding terminals in this area.*

		QX-V8I (300 x 200 x 80 mm)															
		Querschnitt / Cross-section in mm <sup>2</sup>															
		1,5	2,5	4	6	10	16	25	35	50	70	95	120	150	185	240	300
Strom [A]	Current [A]																
6																	
10	56																
16	19	37	144														
20	8	21	42														
25		10	23	45													
35			7	18	44												
50				2	14	36											
63					4	17	60										
80						6	19	67									
100							8	18									
125								7	18								
160									6	16							
200										5	13	42					
225										2	8	16					
250											4	10	21				
315												2	6	12			
400													2	8	25		
500																5	

In diesem Bereich kann unter Beachtung der Hinweise und der festgelegten Einbaumaße im Gehäuse beliebig zusätzlich bestückt werden.  
*In this area you can add terminals in notice of the references and the defined assembly dimensions of the enclosure*

Bestückungen in diesem Bereich erfordern einen gesonderten Erwärmungsnachweis.  
*You need proof of warming for adding terminals in this area.*

# QX-V...Terminal Configuration

Stainless steel enclosures

Ex e / Ex i terminal boxes

		QX-V9I (300 x 200 x 120 mm)															
		Querschnitt / Cross-section in mm <sup>2</sup>															
		1,5	2,5	4	6	10	16	25	35	50	70	95	120	150	185	240	300
Strom [A] Current [A]																	
6																	
10	67																
16	23	44	173														
20	9	26	50														
25		12	28	54													
35			8	21	53												
50				3	17	44											
63					5	20	72										
80						7	22	81									
100							9	21									
125								8	21								
160									7	19							
200										6	16	51					
225											2	9	20				
250												5	12	25			
315													2	7	15		
400															3	10	30
500																	6

In diesem Bereich kann unter Beachtung der Hinweise und der festgelegten Einbaumaße im Gehäuse beliebig zusätzlich bestückt werden.  
*In this area you can add terminals in notice of the references and the defined assembly dimensions of the enclosure*

Bestückungen in diesem Bereich erfordern einen gesonderten Erwärmungsnachweis.  
*You need proof of warming for adding terminals in this area.*

		QX-V10I (300 x 200 x 200 mm)															
		Querschnitt / Cross-section in mm <sup>2</sup>															
		1,5	2,5	4	6	10	16	25	35	50	70	95	120	150	185	240	300
Strom [A] Current [A]																	
6																	
10	89																
16	30	59	231														
20	12	34	67														
25		16	38	73													
35			11	28	71												
50				4	23	59											
63					7	27	97										
80						10	30	108									
100							13	28									
125								11	29								
160									10	25							
200										9	22	68					
225											3	12	26				
250												6	16	34			
315													3	9	20		
400															4	14	40
500																2	8

In diesem Bereich kann unter Beachtung der Hinweise und der festgelegten Einbaumaße im Gehäuse beliebig zusätzlich bestückt werden.  
*In this area you can add terminals in notice of the references and the defined assembly dimensions of the enclosure*

Bestückungen in diesem Bereich erfordern einen gesonderten Erwärmungsnachweis.  
*You need proof of warming for adding terminals in this area.*



# QX-V...Terminal Configuration



Stainless steel enclosures

Ex e / Ex i terminal boxes

		QX-V11I (300 x 300 x 120 mm)															
		Querschnitt / Cross-section in mm <sup>2</sup>															
		1,5	2,5	4	6	10	16	25	35	50	70	95	120	150	185	240	300
Strom [A] Current [A]																	
6																	
10	77																
16	26	51	198														
20	11	30	57														
25		14	32	63													
35			9	24	61												
50				3	20	50											
63					6	23	83										
80						9	26	93									
100							11	24									
125								10	25								
160									8	22							
200										8	19	58					
225											3	11	23				
250												5	14	29			
315													3	8	17		
400															3	12	35
500																	7

In diesem Bereich kann unter Beachtung der Hinweise und der festgelegten Einbaumaße im Gehäuse beliebig zusätzlich bestückt werden.  
*In this area you can add terminals in notice of the references and the defined assembly dimensions of the enclosure*

Bestückungen in diesem Bereich erfordern einen gesonderten Erwärmungsnachweis.  
*You need proof of warming for adding terminals in this area.*

		QX-V12I (300 x 300 x 160 mm)															
		Querschnitt / Cross-section in mm <sup>2</sup>															
		1,5	2,5	4	6	10	16	25	35	50	70	95	120	150	185	240	300
Strom [A] Current [A]																	
6																	
10	88																
16	30	58	228														
20	12	34	66														
25		16	37	72													
35			11	28	70												
50				4	23	58											
63					7	27	96										
80						10	30	107									
100							13	28									
125								11	28								
160									10	25							
200										9	22	67					
225											3	12	26				
250												6	16	33			
315													3	9	20		
400															4	13	40
500																2	8

In diesem Bereich kann unter Beachtung der Hinweise und der festgelegten Einbaumaße im Gehäuse beliebig zusätzlich bestückt werden.  
*In this area you can add terminals in notice of the references and the defined assembly dimensions of the enclosure*

Bestückungen in diesem Bereich erfordern einen gesonderten Erwärmungsnachweis.  
*You need proof of warming for adding terminals in this area.*

# QX-V...Terminal Configuration



Stainless steel enclosures

Ex e / Ex i terminal boxes

		QX-V13I (300 x 300 x 200 mm)															
		Querschnitt / Cross-section in mm <sup>2</sup>															
		1,5	2,5	4	6	10	16	25	35	50	70	95	120	150	185	240	300
Strom [A] Current [A]																	
6																	
10	100																
16	34	66	257														
20	14	38	74														
25		18	42	81													
35			12	32	79												
50				4	26	65											
63					8	30	108										
80						11	34	121									
100							14	32									
125								13	32								
160									11	28							
200										10	24	76					
225											3	14	30				
250												7	18	38			
315													3	11	22		
400															5	15	45
500																2	9

In diesem Bereich kann unter Beachtung der Hinweise und der festgelegten Einbaumaße im Gehäuse beliebig zusätzlich bestückt werden.  
*In this area you can add terminals in notice of the references and the defined assembly dimensions of the enclosure*

Bestückungen in diesem Bereich erfordern einen gesonderten Erwärmungsnachweis.  
*You need proof of warming for adding terminals in this area.*

		QX-V14I (380 x 380 x 160 mm)															
		Querschnitt / Cross-section in mm <sup>2</sup>															
		1,5	2,5	4	6	10	16	25	35	50	70	95	120	150	185	240	300
Strom [A] Current [A]																	
6																	
10	100																
16	34	66	257														
20	14	38	74														
25		18	42	81													
35			12	32	79												
50				4	26	65											
63					8	30	108										
80						11	34	121									
100							14	32									
125								13	32								
160									11	28							
200										10	24	76					
225											3	14	30				
250												7	18	38			
315													3	11	22		
400															5	15	45
500																2	9

In diesem Bereich kann unter Beachtung der Hinweise und der festgelegten Einbaumaße im Gehäuse beliebig zusätzlich bestückt werden.  
*In this area you can add terminals in notice of the references and the defined assembly dimensions of the enclosure*

Bestückungen in diesem Bereich erfordern einen gesonderten Erwärmungsnachweis.  
*You need proof of warming for adding terminals in this area.*

# QX-V...Terminal Configuration

Erfahrung ist Zukunft



Stainless steel enclosures

Ex e / Ex i terminal boxes

		QX-V15I (380 x 380 x 200 mm)															
		Querschnitt / Cross-section in mm <sup>2</sup>															
		1,5	2,5	4	6	10	16	25	35	50	70	95	120	150	185	240	300
Strom [A] Current [A]																	
6																	
10	111																
16	38	74	287														
20	16	43	83														
25		20	47	91													
35			14	35	88												
50				5	29	73											
63					9	34	120										
80						13	37	135									
100							16	35									
125								14	36								
160									12	31							
200										11	27	85					
225											4	16	33				
250												8	20	42			
315													4	12	25		
400															5	17	50
500																2	10

In diesem Bereich kann unter Beachtung der Hinweise und der festgelegten Einbaumaße im Gehäuse beliebig zusätzlich bestückt werden.  
*In this area you can add terminals in notice of the references and the defined assembly dimensions of the enclosure*

Bestückungen in diesem Bereich erfordern einen gesonderten Erwärmungsnachweis.  
*You need proof of warming for adding terminals in this area.*

		QX-V16I (400 x 150 x 80 mm)															
		Querschnitt / Cross-section in mm <sup>2</sup>															
		1,5	2,5	4	6	10	16	25	35	50	70	95	120	150	185	240	300
Strom [A] Current [A]																	
6																	
10	49																
16	16	32	126														
20	7	19	36														
25		9	20	40													
35			6	15	39												
50				2	12	32											
63					4	15	53										
80						5	16	59									
100							7	15									
125								6	16								
160									5	14							
200										5	12	37					
225											7	14					
250												3	9	18			
315													5	11			
400														2	7	22	
500																	4

In diesem Bereich kann unter Beachtung der Hinweise und der festgelegten Einbaumaße im Gehäuse beliebig zusätzlich bestückt werden.  
*In this area you can add terminals in notice of the references and the defined assembly dimensions of the enclosure*

Bestückungen in diesem Bereich erfordern einen gesonderten Erwärmungsnachweis.  
*You need proof of warming for adding terminals in this area.*

# QX-V...Terminal Configuration

Stainless steel enclosures

Ex e / Ex i terminal boxes

		QX-V17I (400 x 200 x 120 mm)															
		Querschnitt / Cross-section in mm <sup>2</sup>															
		1,5	2,5	4	6	10	16	25	35	50	70	95	120	150	185	240	300
Strom [A] Current [A]																	
6																	
10	68																
16	23	45	177														
20	9	26	51														
25		12	29	56													
35			8	22	54												
50				3	17	45											
63					6	21	74										
80						8	23	83									
100							10	22									
125								8	22								
160									7	19							
200										7	17	52					
225											2	9	20				
250												5	12	26			
315													2	7	15		
400															3	10	31
500																	6

In diesem Bereich kann unter Beachtung der Hinweise und der festgelegten Einbaumaße im Gehäuse beliebig zusätzlich bestückt werden.  
*In this area you can add terminals in notice of the references and the defined assembly dimensions of the enclosure*

Bestückungen in diesem Bereich erfordern einen gesonderten Erwärmungsnachweis.  
*You need proof of warming for adding terminals in this area.*

		QX-V18I (400 x 200 x 160 mm)															
		Querschnitt / Cross-section in mm <sup>2</sup>															
		1,5	2,5	4	6	10	16	25	35	50	70	95	120	150	185	240	300
Strom [A] Current [A]																	
6																	
10	79																
16	27	52	205														
20	11	30	59														
25		14	33	65													
35			10	25	63												
50				3	20	52											
63					7	24	86										
80						9	27	96									
100							11	25									
125								10	25								
160									8	22							
200										8	19	60					
225											3	11	23				
250												6	14	30			
315													3	8	18		
400															4	12	36
500																	7

In diesem Bereich kann unter Beachtung der Hinweise und der festgelegten Einbaumaße im Gehäuse beliebig zusätzlich bestückt werden.  
*In this area you can add terminals in notice of the references and the defined assembly dimensions of the enclosure*

Bestückungen in diesem Bereich erfordern einen gesonderten Erwärmungsnachweis.  
*You need proof of warming for adding terminals in this area.*

# QX-V...Terminal Configuration

Erfahrung ist Zukunft



Stainless steel enclosures

Ex e / Ex i terminal boxes

QX-V19I (400 x 200 x 200 mm)																	
		Querschnitt / Cross-section in mm <sup>2</sup>															
		1,5	2,5	4	6	10	16	25	35	50	70	95	120	150	185	240	300
Strom [A]	Current [A]																
6																	
10	90																
16	31	60	233														
20	12	35	67														
25		16	38	73													
35			11	29	71												
50				4	23	59											
63					8	27	97										
80						10	30	109									
100							13	29									
125								11	29								
160									10	25							
200										9	22	68					
225											3	12	27				
250												6	16	34			
315													3	10	20		
400															4	14	41
500																2	8

In diesem Bereich kann unter Beachtung der Hinweise und der festgelegten Einbaumaße im Gehäuse beliebig zusätzlich bestückt werden.  
*In this area you can add terminals in notice of the references and the defined assembly dimensions of the enclosure*

Bestückungen in diesem Bereich erfordern einen gesonderten Erwärmungsnachweis.  
*You need proof of warming for adding terminals in this area.*

QX-V20I (400 x 300 x 160 mm)																	
		Querschnitt / Cross-section in mm <sup>2</sup>															
		1,5	2,5	4	6	10	16	25	35	50	70	95	120	150	185	240	300
Strom [A]	Current [A]																
6																	
10	93																
16	32	62	241														
20	13	36	70														
25		17	39	76													
35			11	30	74												
50				4	24	61											
63					8	28	101										
80						11	31	113									
100							13	30									
125								12	30								
160									10	26							
200										9	23	71					
225											3	13	28				
250												7	17	35			
315													3	10	21		
400															4	14	42
500																2	8

In diesem Bereich kann unter Beachtung der Hinweise und der festgelegten Einbaumaße im Gehäuse beliebig zusätzlich bestückt werden.  
*In this area you can add terminals in notice of the references and the defined assembly dimensions of the enclosure*

Bestückungen in diesem Bereich erfordern einen gesonderten Erwärmungsnachweis.  
*You need proof of warming for adding terminals in this area.*

# QX-V...Terminal Configuration



Stainless steel enclosures

Ex e / Ex i terminal boxes

		QX-V21I (400 x 300 x 200 mm)															
		Querschnitt / Cross-section in mm <sup>2</sup>															
		1,5	2,5	4	6	10	16	25	35	50	70	95	120	150	185	240	300
Strom [A] Current [A]																	
6																	
10	105																
16	36	69	270														
20	15	40	78														
25		19	44	85													
35			13	33	83												
50				5	27	69											
63					9	32	113										
80						12	35	127									
100							15	33									
125								13	34								
160									11	30							
200										10	26	80					
225											4	15	31				
250												8	19	40			
315													4	11	24		
400															5	16	47
500																2	9

In diesem Bereich kann unter Beachtung der Hinweise und der festgelegten Einbaumaße im Gehäuse beliebig zusätzlich bestückt werden.  
*In this area you can add terminals in notice of the references and the defined assembly dimensions of the enclosure*

Bestückungen in diesem Bereich erfordern einen gesonderten Erwärmungsnachweis.  
*You need proof of warming for adding terminals in this area.*

		QX-V22I (500 x 300 x 160 mm)															
		Querschnitt / Cross-section in mm <sup>2</sup>															
		1,5	2,5	4	6	10	16	25	35	50	70	95	120	150	185	240	300
Strom [A] Current [A]																	
6																	
10	96																
16	33	64	248														
20	13	37	72														
25		17	41	78													
35			12	30	76												
50				4	25	63											
63					8	29	104										
80						11	32	116									
100							14	30									
125								12	31								
160									10	27							
200										10	23	73					
225											3	13	28				
250												7	17	36			
315													3	10	22		
400															4	15	43
500																2	8

In diesem Bereich kann unter Beachtung der Hinweise und der festgelegten Einbaumaße im Gehäuse beliebig zusätzlich bestückt werden.  
*In this area you can add terminals in notice of the references and the defined assembly dimensions of the enclosure*

Bestückungen in diesem Bereich erfordern einen gesonderten Erwärmungsnachweis.  
*You need proof of warming for adding terminals in this area.*

# QX-V...Terminal Configuration

Erfahrung ist Zukunft



Stainless steel enclosures

Ex e / Ex i terminal boxes

		QX-V23I (500 x 300 x 200 mm)															
		Querschnitt / Cross-section in mm <sup>2</sup>															
		1,5	2,5	4	6	10	16	25	35	50	70	95	120	150	185	240	300
Strom [A] Current [A]																	
6																	
10	107																
16	36	71	276														
20	15	41	80														
25		19	45	87													
35			13	34	85												
50				5	28	70											
63					9	32	116										
80						12	36	130									
100							15	34									
125								14	34								
160									12	30							
200										11	26	81					
225										4	15	32					
250											8	19	40				
315												4	11	24			
400														5	16	48	
500																2	9

In diesem Bereich kann unter Beachtung der Hinweise und der festgelegten Einbaumaße im Gehäuse beliebig zusätzlich bestückt werden.  
In this area you can add terminals in notice of the references and the defined assembly dimensions of the enclosure

Bestückungen in diesem Bereich erfordern einen gesonderten Erwärmungsnachweis.  
You need proof of warming for adding terminals in this area.

		QX-V24I (500 x 400 x 160 mm)															
		Querschnitt / Cross-section in mm <sup>2</sup>															
		1,5	2,5	4	6	10	16	25	35	50	70	95	120	150	185	240	300
Strom [A] Current [A]																	
6																	
10	108																
16	37	72	279														
20	15	42	81														
25		20	46	88													
35			13	34	86												
50				5	28	71											
63					9	33	117										
80						12	36	131									
100							15	34									
125								14	35								
160									12	31							
200										11	27	82					
225										4	15	32					
250											8	19	41				
315												4	12	24			
400														5	17	49	
500																2	9

In diesem Bereich kann unter Beachtung der Hinweise und der festgelegten Einbaumaße im Gehäuse beliebig zusätzlich bestückt werden.  
In this area you can add terminals in notice of the references and the defined assembly dimensions of the enclosure

Bestückungen in diesem Bereich erfordern einen gesonderten Erwärmungsnachweis.  
You need proof of warming for adding terminals in this area.

# QX-V...Terminal Configuration



Stainless steel enclosures

Ex e / Ex i terminal boxes

		QX-V25I (500 x 400 x 200 mm)															
		Querschnitt / Cross-section in mm <sup>2</sup>															
		1,5	2,5	4	6	10	16	25	35	50	70	95	120	150	185	240	300
Strom [A] Current [A]																	
6																	
10	119																
16	41	79	309														
20	17	46	89														
25		22	51	98													
35			15	38	95												
50				5	31	78											
63					10	36	129										
80						14	40	145									
100							17	38									
125								15	39								
160									13	34							
200										12	29	91					
225											4	17	36				
250												9	22	45			
315													4	13	27		
400															6	18	54
500																2	10

In diesem Bereich kann unter Beachtung der Hinweise und der festgelegten Einbaumaße im Gehäuse beliebig zusätzlich bestückt werden.  
*In this area you can add terminals in notice of the references and the defined assembly dimensions of the enclosure*

Bestückungen in diesem Bereich erfordern einen gesonderten Erwärmungsnachweis.  
*You need proof of warming for adding terminals in this area.*

		QX-V26I (600 x 200 x 120 mm)															
		Querschnitt / Cross-section in mm <sup>2</sup>															
		1,5	2,5	4	6	10	16	25	35	50	70	95	120	150	185	240	300
Strom [A] Current [A]																	
6																	
10	69																
16	23	45	177														
20	9	26	51														
25		12	29	56													
35			8	22	54												
50				3	17	45											
63					6	21	74										
80						8	23	83									
100							10	22									
125								9	22								
160									7	19							
200										7	17	52					
225											2	9	20				
250												5	12	26			
315													2	7	15		
400															3	10	31
500																	6

In diesem Bereich kann unter Beachtung der Hinweise und der festgelegten Einbaumaße im Gehäuse beliebig zusätzlich bestückt werden.  
*In this area you can add terminals in notice of the references and the defined assembly dimensions of the enclosure*

Bestückungen in diesem Bereich erfordern einen gesonderten Erwärmungsnachweis.  
*You need proof of warming for adding terminals in this area.*



# QX-V...Terminal Configuration

Erfahrung ist Zukunft



Stainless steel enclosures

Ex e / Ex i terminal boxes

		QX-V27I (600 x 200 x 160 mm)															
		Querschnitt / Cross-section in mm <sup>2</sup>															
		1,5	2,5	4	6	10	16	25	35	50	70	95	120	150	185	240	300
Strom [A] Current [A]																	
6																	
10	79																
16	27	52	204														
20	11	30	59														
25		14	33	64													
35			9	25	62												
50				3	20	52											
63					7	24	85										
80						9	26	96									
100							11	25									
125								10	25								
160									8	22							
200										8	19	60					
225											3	11	23				
250												6	14	30			
315													3	8	18		
400															4	12	36
500																	7

In diesem Bereich kann unter Beachtung der Hinweise und der festgelegten Einbaumaße im Gehäuse beliebig zusätzlich bestückt werden.  
*In this area you can add terminals in notice of the references and the defined assembly dimensions of the enclosure*

Bestückungen in diesem Bereich erfordern einen gesonderten Erwärmungsnachweis.  
*You need proof of warming for adding terminals in this area.*

		QX-V28I (600 x 200 x 200 mm)															
		Querschnitt / Cross-section in mm <sup>2</sup>															
		1,5	2,5	4	6	10	16	25	35	50	70	95	120	150	185	240	300
Strom [A] Current [A]																	
6																	
10	89																
16	30	59	230														
20	12	34	67														
25		16	38	73													
35			11	28	71												
50				4	23	58											
63					7	27	96										
80						10	30	108									
100							13	28									
125								11	29								
160									10	25							
200										9	22	68					
225											3	12	26				
250												6	16	34			
315													3	9	20		
400															4	14	40
500																2	8

In diesem Bereich kann unter Beachtung der Hinweise und der festgelegten Einbaumaße im Gehäuse beliebig zusätzlich bestückt werden.  
*In this area you can add terminals in notice of the references and the defined assembly dimensions of the enclosure*

Bestückungen in diesem Bereich erfordern einen gesonderten Erwärmungsnachweis.  
*You need proof of warming for adding terminals in this area.*

# QX-V...Terminal Configuration

Stainless steel enclosures

Ex e / Ex i terminal boxes

		QX-V29I (600 x 400 x 200 mm)															
		Querschnitt / Cross-section in mm <sup>2</sup>															
		1,5	2,5	4	6	10	16	25	35	50	70	95	120	150	185	240	300
Strom [A] Current [A]																	
6																	
10	123																
16	42	82	317														
20	17	48	92														
25		22	52	100													
35			15	39	98												
50				5	32	81											
63					10	37	133										
80						14	41	149									
100							18	39									
125								16	40								
160									13	35							
200										12	30	94					
225											4	17	37				
250												9	22	46			
315													4	13	28		
400															6	19	56
500																2	11

In diesem Bereich kann unter Beachtung der Hinweise und der festgelegten Einbaumaße im Gehäuse beliebig zusätzlich bestückt werden.  
*In this area you can add terminals in notice of the references and the defined assembly dimensions of the enclosure*

Bestückungen in diesem Bereich erfordern einen gesonderten Erwärmungsnachweis.  
*You need proof of warming for adding terminals in this area.*

		QX-V30I (600 x 600 x 200 mm)															
		Querschnitt / Cross-section in mm <sup>2</sup>															
		1,5	2,5	4	6	10	16	25	35	50	70	95	120	150	185	240	300
Strom [A] Current [A]																	
6																	
10	142																
16	49	95	368														
20	20	55	107														
25		26	60	116													
35			18	45	113												
50				6	37	94											
63					12	43	154										
80						16	48	173									
100							20	45									
125								2	18	46							
160									16	41							
200										14	35	109					
225											5	20	42				
250												10	26	54			
315													5	15	32		
400															7	22	65
500																3	13

In diesem Bereich kann unter Beachtung der Hinweise und der festgelegten Einbaumaße im Gehäuse beliebig zusätzlich bestückt werden.  
*In this area you can add terminals in notice of the references and the defined assembly dimensions of the enclosure*

Bestückungen in diesem Bereich erfordern einen gesonderten Erwärmungsnachweis.  
*You need proof of warming for adding terminals in this area.*

## Customized Stainless Steel Enclosures acc. Specification

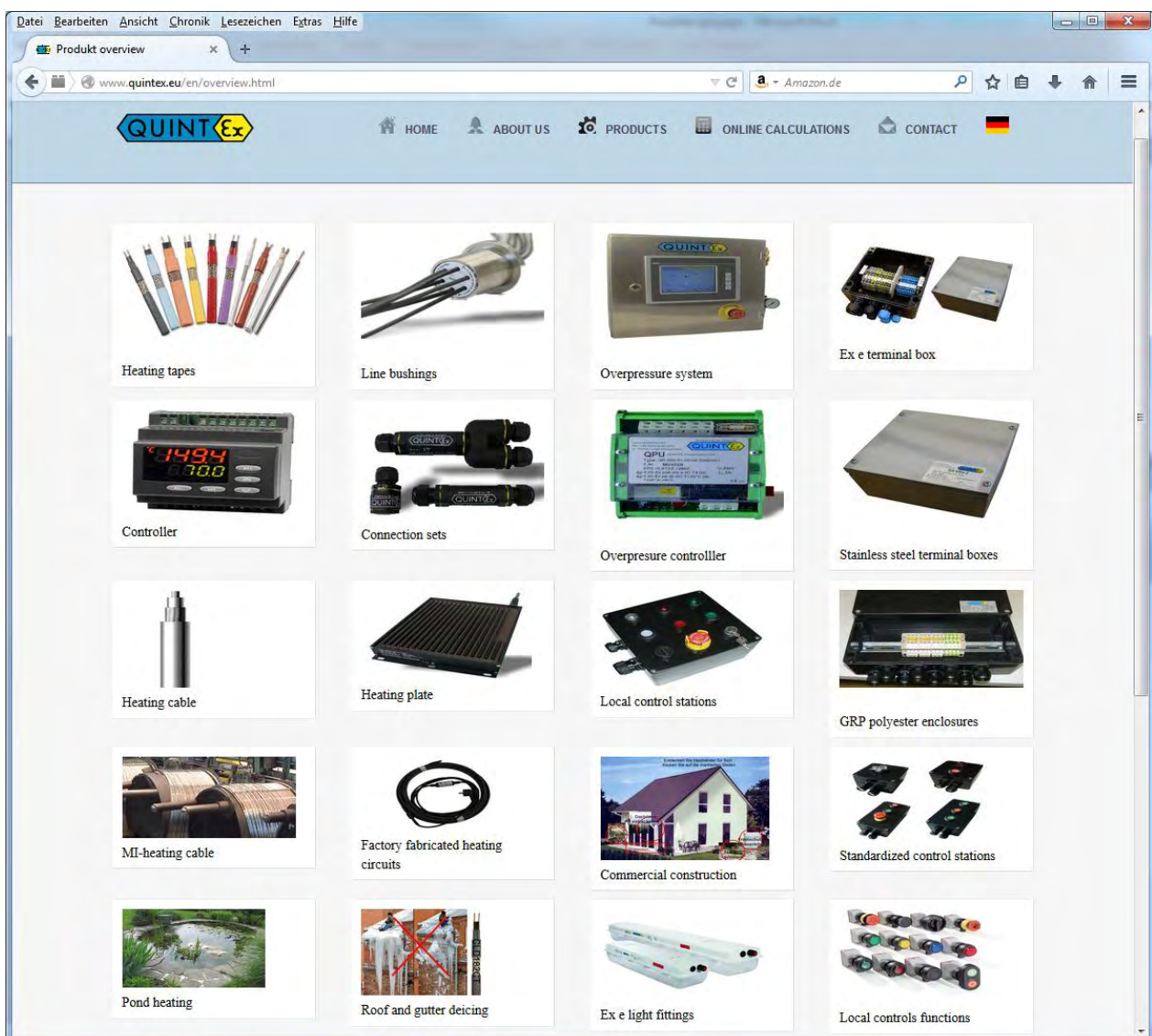
We manufacture stainless steel enclosures according your specification.  
Price and delivery time like standard enclosures

- Stainless steel 1.4404, 316L / 1.4301, 304
- Sizes up to 2000x1200x800mm
- Div. Material gauges
- Painted / powder coated in RAL-colour
- Electro-polished
- Including mounting plate
- Ex and Non-Ex Enclosures
- Up to 4 Gland plates
- Screwed lid or hinged door
- Div. Locking systems
- Including mounting brackets in stainless steel



# Please visit our Webpage to see the latest information about Quintex

If you need quick help, please use our online chat.  
 Free of charge and easy to use



Experts for your systems

## Ex - Components



- Quality • Reliability • Delivery reliability
- Our knowledge for your application



## **Proviso**

We reserve the right to make technical changes. Changes, errors, and literal errors do not justify any claim for damage compensation. For security components and systems, the relevant standards, as well as the relevant operating and assembly instructions have to be followed.

# QX-02... Overview

Overview Local Control Components



Local Control Components



## Switching Module:

Marking:

⊕ Ex II 2G Ex de IIC Gb

⊕ Ex II 2D Ex tD A21 IP66

ATEX, IECEX, EAC TC-RU

Zone 1 / 2 / 21 / 22

T<sub>a</sub> -55..+60°C

Electrical data:

U 250 V 250 V 110 V 24 V

Use AC12 AC15 DC13 DC13

I 16 A 10A 0.5A 1A

T<sub>a</sub> ≤ 40°C ≤ 60°C ≤ 60°C ≤ 60°C

Switching cycles ≥ 1.000.000

Mounting: DIN-rail 35mm,  
Mounting plate, Lid

## Signal Lamp:

Marking:

⊕ Ex II 2G Ex de IIC Gb

⊕ Ex II 2D Ex tD A21 IP66

ATEX, IECEX, EAC TC-RU

Zone 1 / 2 / 21 / 22

T<sub>a</sub> -55..+60°C, P<sub>max</sub> ≤ 1W

Electrical data:

U: 20-250V AC/DC,

Optional: 12-28V DC

Optional: 250-400V AC

Mounting: DIN-rail 35mm,  
Mounting plate, Lid

## Illuminated Push Button:

Marking:

⊕ Ex II 2G Ex de IIC Gb

⊕ Ex II 2D Ex tD A21 IP66

ATEX, IECEX, EAC TC-RU

Zone 1 / 2 / 21 / 22

T<sub>a</sub> -55..+60°C, P<sub>max</sub> ≤ 1W

U 250 V 24 V

Use AC15 DC13

I 6A 1A

Electrical data:

U: 20-250V AC/DC

Mounting: DIN-rail 35mm,  
Mounting plate, Lid

# QX-0201-P1+2...

Ex Pushbutton / Double-Pushbutton



Local Control Components



- High switching capacity
- International certificates
- Different inlay symbols and colours
- Robust construction

## Description

Pushbutton / Double-Pushbutton for assembling of control panels or local control stations. Robust and reliable construction with 2,5mm<sup>2</sup> silver contact terminals and nominal voltage up to 250V.

There are different coloured inlays or symbols available.

With the Double-Pushbutton 2 functions can be realized on small space.



## Possible Application

- Control Panels
- Local control stations

## Technical Data

Zone:	1 / 2 / 21 / 22
Nominal voltage max.:	250VAC / 110VDC
Current @ 250VAC:	AC12: 16A @ ≤40°C AC15: 10A @ ≤60°C
Current @ 110VDC:	DC12: 0,5A @ ≤60°C
Current @ 24VDC:	DC13: 1A @ ≤60°C
Terminals:	2x 2,5mm <sup>2</sup> , Silver
Ingress protection:	IP 66
Temperature range:	-55..+60°C
Dimension (mm):	pls. see drawing
Mechanical life:	1.000.000 cycles
Mounting possibilities:	Backside – DIN-Rail Lid
Lid Mounting:	Thickness 1-6mm

## Certificates

ATEX, IECEx, EAC TC-RU

## Marking

⊕ II 2G Ex de IIC Gb / ⊕ II 2D Ex tD A21 IP66



# QX-0201-P1+2...

Ex Pushbutton / Double-Pushbutton



Local Control Components



## Order numbers:

P1 = Single-Pushbutton / P2 = Double-Pushbutton

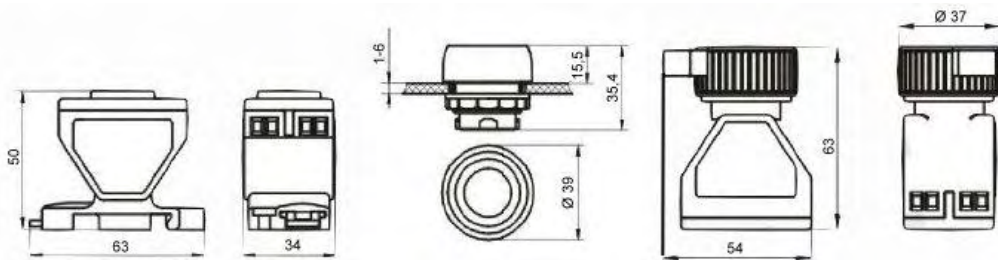
Rail-mounting		QX-0201-P_ 60
		QX-0201-P_ 61
		QX-0201-P_ 62
Lid-mounting		QX-0201-P_ 70
		QX-0201-P_ 71
		QX-0201-P_ 72

Following inlay symbols and colours are available. Please add the code on your order.

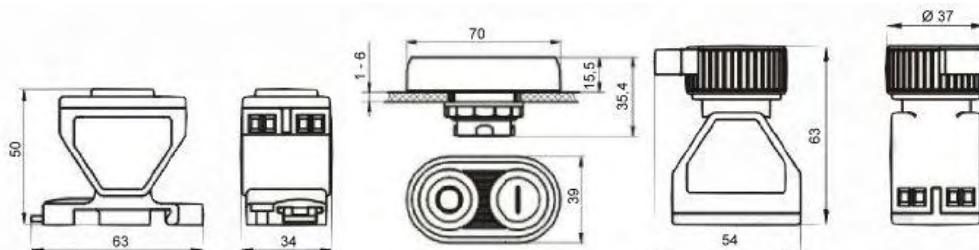
Code	Colour of label	Engraved	colour of text
01	green		
02	green	I	white
03	green	ON	white
04	green	START	white
Q1	green	EIN	white
21	red		
22	red	O	white
23	red	OFF	white
24	red	STOP	white
Q2	red	AUS	white
41	white		
42	white	II	black
43	white	↑	black
44	white	START	black
45	white	STOP	black
46	white	FW	black
47	white	BW	black
48	white	STOP	red
49	white	↑↑	black
61	yellow		
62	yellow	II	white
81	black		
91	blue		

## Dimensional drawings

Pushbutton QX-0201-P1...



Double-Pushbutton QX-0201-P2...



# QX-0201-P3...

Ex Emergency Stop Button



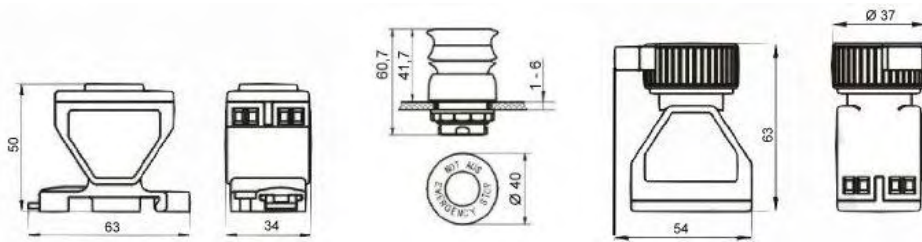
Local Control Components



- High switching capacity
- Release by pulling
- International certificates
- Robust construction

## Description

Emergency Stop button for assembling of control panels or local control stations. Robust and reliable construction with 2,5mm<sup>2</sup> silver contact terminals and nominal voltage up to 250V. Different switching combinations are possible. With yellow ring for showing the emergency function.



## Possible Application

- Control Panels
- Local control stations

## Technical Data

Zone: 1 / 2 / 21 / 22  
 Nominal voltage max.: 250VAC / 110VDC  
 Current @ 250VAC: AC12: 16A @ ≤40°C  
 AC15: 10A @ ≤60°C  
 Current @ 110VDC: DC12: 0,5A @ ≤60°C  
 Current @ 24VDC: DC13: 1A @ ≤60°C  
 Terminals: 2x 2,5mm<sup>2</sup>, Silver  
 Ingress protection: IP 66  
 Temperature range: -55..+60°C  
 Dimension (mm): pls. see drawing  
 Mechanical life: 1.000.000 cycles  
 Mounting possibilities: Backside – DIN-Rail  
 Lid  
 Lid Mounting: Thickness 1-6mm

## Certificates

ATEX, IECEX, EAC TC-RU  
 Acc. standard EN 60947-5-5

## Marking

Ⓔ II 2G Ex de IIC Gb / Ⓔ II 2D Ex tD A21 IP66

## Order no.

Rail mounting		QX-0201-P3 60
		QX-0201-P3 61
		QX-0201-P3 62
Lid mounting		QX-0201-P3 70
		QX-0201-P3 71
		QX-0201-P3 72

# QX-0201-P6... / -P7...

Ex Emergency Stop Button



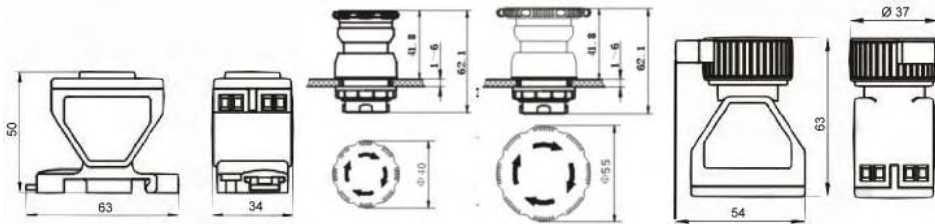
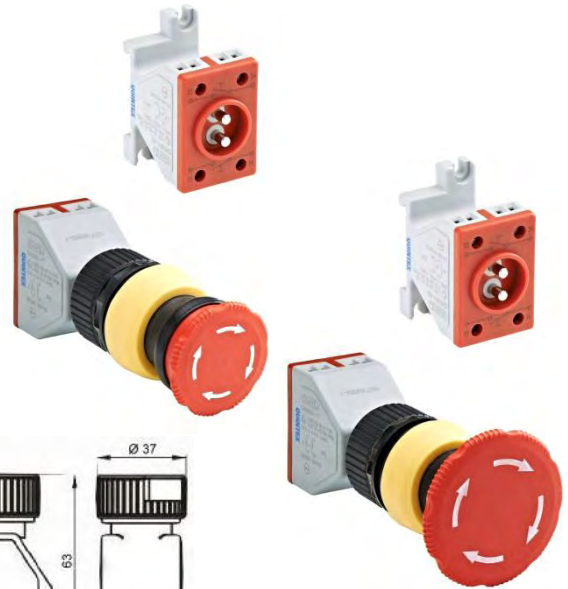
Local Control Components



- High switching capacity
- Release twisting
- International certificates
- Robust construction

## Description

Emergency Stop button for assembling of control panels or local control stations. Robust and reliable construction with 2,5mm<sup>2</sup> silver contact terminals and nominal voltage up to 250V. Different switching combinations are possible. With yellow ring for showing the emergency function.



## Possible Application

- Control Panels
- Local control stations

## Technical Data

Zone:	1 / 2 / 21 / 22
Nominal voltage max.:	250VAC / 110VDC
Current @ 250VAC:	AC12: 16A @ ≤40°C AC15: 10A @ ≤60°C
Current @ 110VDC:	DC12: 0,5A @ ≤60°C
Current @ 24VDC:	DC13: 1A @ ≤60°C
Terminals:	2x 2,5mm <sup>2</sup> , Silver
Ingress protection:	IP 66
Temperature range:	-55..+60°C
Dimension (mm):	pls. see drawing
Mechanical life:	1.000.000 cycles
Mounting possibilities:	Backside – DIN-Rail Lid
Lid Mounting:	Thickness 1-6mm

## Certificates

ATEX, IECEx, EAC TC-RU

## Marking

Ⓔ II 2G Ex de IIC Gb / Ⓔ II 2D Ex tD A21 IP66

## Order no.

P6 = small knob 40mm / P7 = large knob 55mm

Rail mounting		QX-0201-P_ 60
		QX-0201-P_ 61
		QX-0201-P_ 62
Lid mounting		QX-0201-P_ 70
		QX-0201-P_ 71
		QX-0201-P_ 72

# QX-0201-P4...

Ex Mushroom Pushbutton black



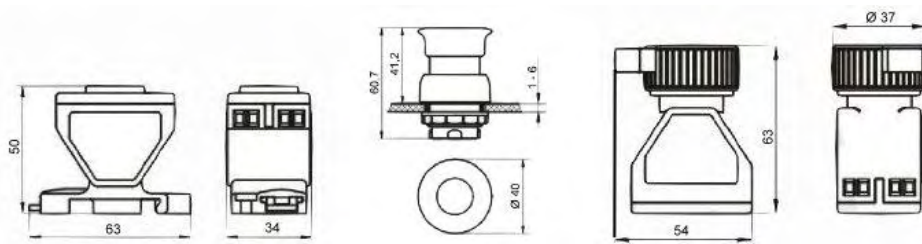
Local Control Components



- High switching capacity
- International certificates
- Different inlay symbols and colours
- Robust construction

## Description

Mushroom Pushbutton for assembling of control panels or local control stations.  
 Robust and reliable construction with 2,5mm<sup>2</sup> silver contact terminals and nominal voltage up to 250V.  
 There are different coloured inlays or symbols available.  
 Different switching combinations are possible.



## Possible Application

- Control Panels
- Local control stations

## Technical Data

Zone: 1 / 2 / 21 / 22  
 Nominal voltage max.: 250VAC / 110VDC  
 Current @ 250VAC: AC12: 16A @ ≤40°C  
 AC15: 10A @ ≤60°C  
 Current @ 110VDC: DC12: 0,5A @ ≤60°C  
 Current @ 24VDC: DC13: 1A @ ≤60°C  
 Terminals: 2x 2,5mm<sup>2</sup>, Silver  
 Ingress protection: IP 66  
 Temperature range: -55..+60°C  
 Dimension (mm): pls. see drawing  
 Mechanical life: 1.000.000 cycles  
 Mounting possibilities: Backside – DIN-Rail  
 Lid  
 Lid Mounting: Thickness 1-6mm

## Certificates

ATEX, IECEX, EAC TC-RU

## Marking

Ⓔ II 2G Ex de IIC Gb / Ⓔ II 2D Ex tD A21 IP66

## Order no.

Rail mounting		QX-0201-P4 60
		QX-0201-P4 61
		QX-0201-P4 62
Lid mounting		QX-0201-P4 70
		QX-0201-P4 71
		QX-0201-P4 72

# QX-0201-K/S...

Ex Selector switch 2-pole



Local Control Components



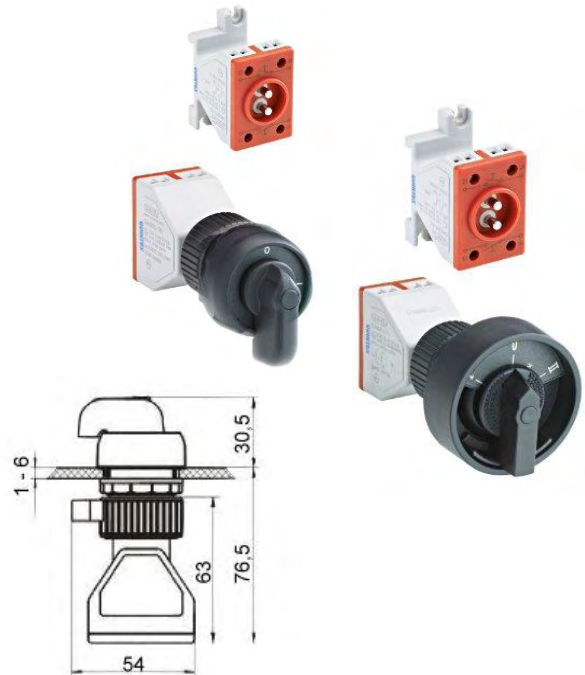
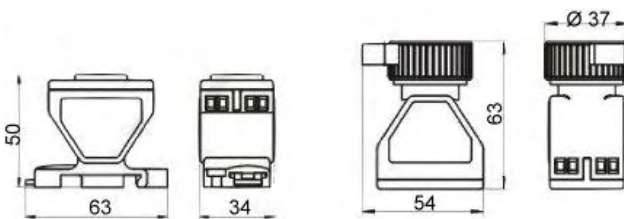
- High switching capacity
- International certificates
- Small and large handles available
- Robust construction

## Description

Selector switch for assembling of control panels or local control stations.

Robust and reliable construction with 2,5mm<sup>2</sup> silver contact terminals and nominal voltage up to 250V.

Different switching combinations are possible.



## Possible Application

- Control Panels
- Local control stations

## Technical Data

Zone:	1 / 2 / 21 / 22
Nominal voltage max.:	250VAC / 110VDC
Current @ 250VAC:	AC12: 16A @ ≤40°C AC15: 10A @ ≤60°C
Current @ 110VDC:	DC12: 0,5A @ ≤60°C
Current @ 24VDC:	DC13: 1A @ ≤60°C
Terminals:	2x 2,5mm <sup>2</sup> , Silver
Ingress protection:	IP 66
Temperature range:	-55..+60°C
Dimension (mm):	pls. see drawing
Mechanical life:	1.000.000 cycles
Mounting possibilities:	Backside – DIN-Rail Lid
Lid Mounting:	Thickness 1-6mm

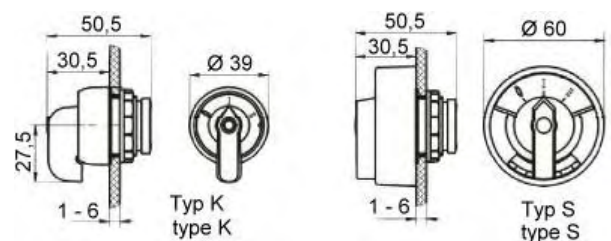
## Certificates

ATEX, IECEx, EAC TC-RU

## Marking

⊕ II 2G Ex de IIC Gb / ⊕ II 2D Ex tD A21 IP66

## Dimensional drawing of heads



# QX-0201-K/S...

Ex Selector switch 2-pole



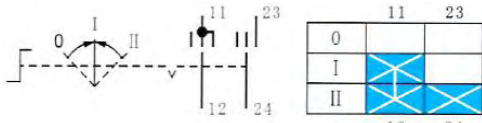
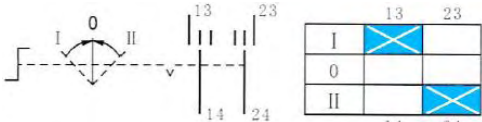

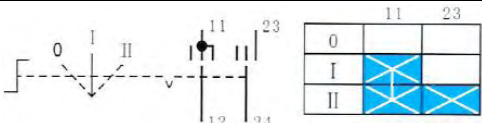
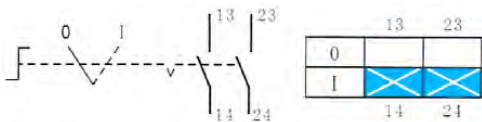
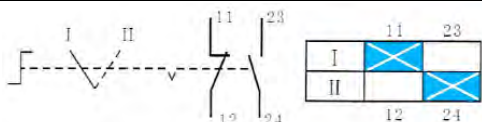
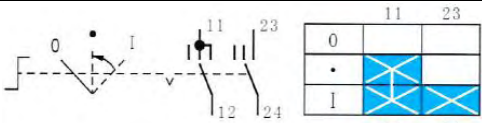


Local Control Components



## Order numbers

Please see table for order numbers:

Contact Scheme		Ø 39mm 	Ø 60mm 	Mounting
<b>0-I-II</b>		QX-0201-K4 60 03	QX-0201-S4 60 03	Rail
		QX-0201-K4 70 03	QX-0201-S4 70 03	Lid
<b>I-0-II</b>		QX-0201-K4 62 04	QX-0201-S4 62 04	Rail
		QX-0201-K4 72 04	QX-0201-S4 72 04	Lid
<b>I-0-II</b>		QX-0201-K5 62 04	QX-0201-S5 62 04	Rail
		QX-0201-K5 72 04	QX-0201-S5 72 04	Lid
<b>0-I-II</b>		QX-0201-K5 60 03	QX-0201-S5 60 03	Rail
		QX-0201-K5 70 04	QX-0201-S5 70 03	Lid
<b>0 - I</b>		QX-0201-K6 62 01	QX-0201-S6 62 01	Rail
		QX-0201-K6 72 01	QX-0201-S6 72 01	Lid
<b>I - II</b>		QX-0201-K6 60 02	QX-0201-S6 60 02	Rail
		QX-0201-K6 70 02	QX-0201-S6 70 02	Lid
<b>0 . I</b>		QX-0201-K8 60 05	QX-0201-S8 60 05	Rail
		QX-0201-K8 70 05	QX-0201-S8 70 05	Lid

The labels of the switching handle can be changed according requested.  
Therefore use the last digits of the needed label

e.g.: instead of **0 • I** at S8 60 05  
you wish to use **I 0 II** (but same contact scheme)  
order number will be: S8 60 04

# QX-0201-P/S..5...

Ex Switching component 4-pole



Local Control Components



- High switching capacity
- International certificates
- Small and large handles available
- Robust construction

## Description

4-pole switching component for assembling of control panels or local control stations. Robust and reliable construction with 2,5mm<sup>2</sup> silver contact terminals and nominal voltage up to 250V.

Different switching combinations are possible. This component can be used with different push button heads as well as different heads and functions of selector switches.



## Possible Application

- Control Panels
- Local control stations

## Technical Data

Zone:	1 / 2 / 21 / 22
Nominal voltage max.:	250VAC / 110VDC
Current @ 250VAC:	AC12: 16A @ ≤40°C AC15: 10A @ ≤60°C
Current @ 110VDC:	DC12: 0,5A @ ≤60°C
Current @ 24VDC:	DC13: 1A @ ≤60°C
Terminals:	2x 2,5mm <sup>2</sup> , Silver
Ingress protection:	IP 66
Temperature range:	-55..+60°C
Dimension (mm):	pls. see drawing
Mechanical life:	1.000.000 cycles
Mounting possibilities:	Backside – DIN-Rail Lid
Lid Mounting:	Thickness 1-6mm

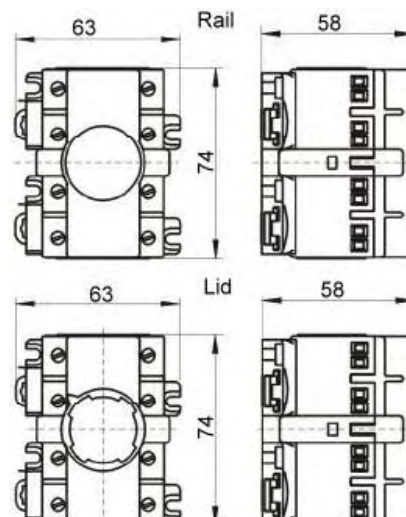
## Certificates

ATEX, IECEx, EAC TC-RU

## Marking

⊕ II 2G Ex de IIC Gb / ⊕ II 2D Ex tD A21 IP66

## Dimensional drawing



# QX-0201-P/S..5...

Ex Switching component 4-pole



Local Control Components



## Order No.

		Contact Scheme		Order Number QX-0201-					
			2 NC / 2 NO	□□ □50 □□					
			4 NC	□□ □51 □□					
			4 NO	□□ □52 □□					
			1 NC / 3 NO	□□ □53 □□					
			3 NC / 1 NO	□□ □54 □□					
6 – rail mounting 7 – lid mounting Code only for insert of pushbutton QX-P1									
Code →	P1 Pushbutton	P2 Double-Pushbutton	P3 Emergency-stop pull	P6 Emergency-stop twist	P7 Emergency-stop large, twist	P4 Mushroom button	Y0 Mushroom button, red	Y5 Key switch I-0-II	Y6 Key switch 0-I
Operator									

		Contact Scheme		Order Number QX-0201-	
  		I - II		S6 □50 02	
		0 - I		S6 □52 01	
		0 - I		S6 □54 01	
		I-0-II		S4 □52 04	
		I-0-II		S5 □52 04	
		I-0-II		S8 □52 04	
		0-I-II		S4 □50 03	
		0-I-II		S5 □50 03	
0 . I		S8 □50 05			
6 – rail mounting 7 – lid mounting					

The markings of the handle can be interchanged.

Simply use the last two digits of that image.

E.g.: instead of **0 • I** at S8 6 50 **05** it should be **I 0 II**

adapted order number: S8 6 50 **04**



# QX-0201-Y0...

Ex Emergency Stop / Mushroom Pushbutton with key, red



Local Control Components



- High switching capacity
- Usable as latching or spring return
- International certificates
- Robust construction

## Description

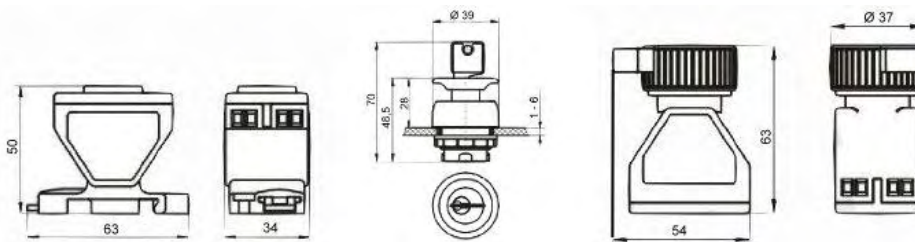
Emergency Stop / Mushroom Pushbutton with key for assembling of control panels or local control stations.

Robust and reliable construction with 2,5mm<sup>2</sup> silver contact terminals and nominal voltage up to 250V.

Different switching combinations are possible.

The key can be removed in both positions.

Used as Emergency function only with key releasable.



## Possible Application

- Control Panels
- Local control stations

## Technical Data

Zone:	1 / 2 / 21 / 22
Nominal voltage max.:	250VAC / 110VDC
Current @ 250VAC:	AC12: 16A @ ≤40°C AC15: 10A @ ≤60°C
Current @ 110VDC:	DC12: 0,5A @ ≤60°C
Current @ 24VDC:	DC13: 1A @ ≤60°C
Terminals:	2x 2,5mm <sup>2</sup> , Silver
Ingress protection:	IP 66
Temperature range:	-55..+60°C
Dimension (mm):	pls. see drawing
Mechanical life:	1.000.000 cycles
Mounting possibilities:	Backside – DIN-Rail Lid
Lid Mounting:	Thickness 1-6mm

## Certificates

ATEX, IECEx, EAC TC-RU

## Marking

Ⓔ II 2G Ex de IIC Gb / Ⓔ II 2D Ex tD A21 IP66

## Order no.

Rail mounting		QX-0201-Y0 60
		QX-0201-Y0 61
		QX-0201-Y0 62
Lid mounting		QX-0201-Y0 70
		QX-0201-Y0 71
		QX-0201-Y0 72

# QX-0201-Y6... / -Y5...



Local Control Function



Ex Key Switch

- High switching capacity
- Usable as latching or spring return
- International certificates
- Robust construction

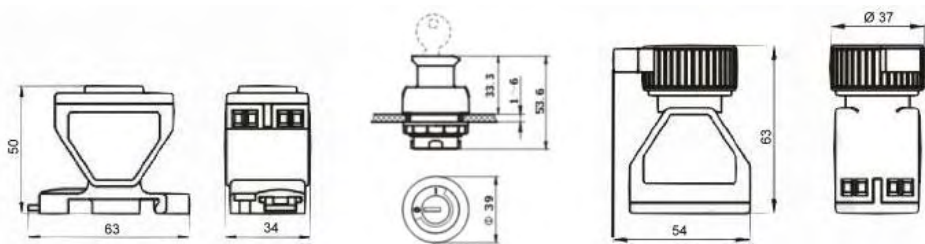
## Description

Key switch for assembling of control panels or local control stations.

Robust and reliable construction with 2,5mm<sup>2</sup> silver contact terminals and nominal voltage up to 250V.

Different switching combinations are possible.

The key can be removed in both positions.



## Possible Application

- Control Panels
- Local control stations

## Technical Data

Zone: 1 / 2 / 21 / 22  
 Nominal voltage max.: 250VAC / 110VDC  
 Current @ 250VAC: AC12: 16A @ ≤40°C  
 AC15: 10A @ ≤60°C  
 Current @ 110VDC: DC12: 0,5A @ ≤60°C  
 Current @ 24VDC: DC13: 1A @ ≤60°C  
 Terminals: 2x 2,5mm<sup>2</sup>, Silver  
 Ingress protection: IP 66  
 Temperature range: -55..+60°C  
 Dimension (mm): pls. see drawing  
 Mechanical life: 1.000.000 cycles  
 Mounting possibilities: Backside – DIN-Rail  
 Lid  
 Lid Mounting: Thickness 1-6mm

## Certificates

ATEX, IECEX, EAC TC-RU

## Marking

⊕ II 2G Ex de IIC Gb / ⊕ II 2D Ex tD A21 IP66

## Order no.

Y6 = 0-I / Y5 = I-0-II

Rail mounting		QX-0201-Y_ 60
		QX-0201-Y_ 61
		QX-0201-Y_ 62
Lid mounting		QX-0201-Y_ 70
		QX-0201-Y_ 71
		QX-0201-Y_ 72



- High luminance
- Wide supply voltage range
- International certificates
- Robust construction

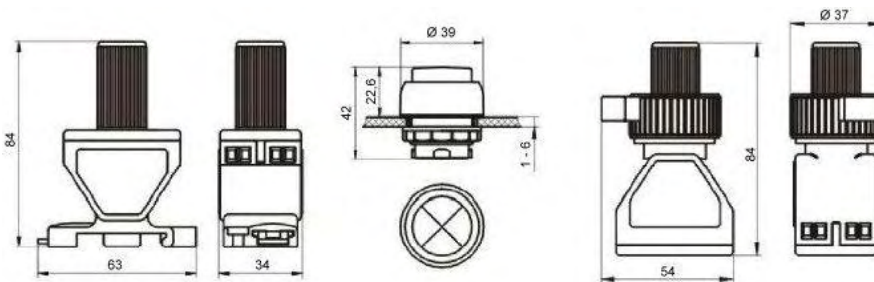
## Description

Indication lamp for assembling of control panels or local control stations.

Robust and reliable construction with 2,5mm<sup>2</sup> silver contact terminals and nominal voltage up to 250V.

Because of the high luminance they are usable within daylight.

Low power consumption because of LED technique. Different colours are available.



## Possible Application

- Control Panels
- Local control stations

## Technical Data

Zone: 1 / 2 / 21 / 22  
 Nominal Voltage: 20-250V AC/DC  
 Optional: 12-28V AC/DC  
 250-400V AC  
 Terminals: 2x 2,5mm<sup>2</sup>, Silver contact  
 Ingress protection: IP 66  
 Temperature range: -55..+60°C  
 Power consumption: ≤1W  
 Dimension (mm): pls. see drawing  
 Lifetime: 100.000 h  
 Mounting possibilities: Backside – DIN-Rail  
 Lid  
 Lid Mounting: Thickness 1-6mm

## Certificates

ATEX, IECEx, EAC TC-RU

## Marking

⊕ II 2G Ex de IIC Gb / ⊕ II 2D Ex tD A21 IP66

## Order no.

Rail mounting	Lid mounting	Colour
QX-0202-LR60x	QX-0202-LR70x	Red
QX-0202-LG60x	QX-0202-LG70x	Green
QX-0202-LY60x	QX-0202-LY70x	Yellow
QX-0202-LB60x	QX-0202-LB70x	Blue
QX-0202-LW60x	QX-0202-LW70x	White

x = 1: 20-250V AC/DC  
 x = 2: 250-400V AC  
 x = 3: 12-28V AC/DC

# QX-0212-...

Ex Illuminated Pushbutton



Local Control Components



- High luminance
- Wide supply voltage range
- International certificates
- Robust construction

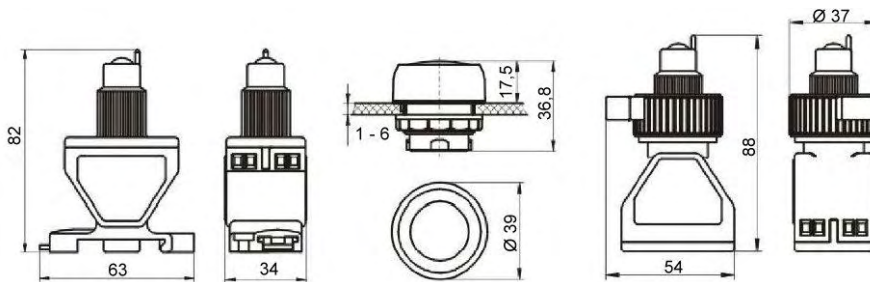
## Description

Illuminated Pushbutton for assembling of control panels or local control stations.

Robust and reliable construction with 2,5mm<sup>2</sup> silver contact terminals and nominal voltage up to 250V.

Because of the high luminance they are usable within daylight.

Low power consumption because of LED technique. Different colours are available.



## Possible Application

- Control Panels
- Local control stations

## Technical Data

Zone:	1 / 2 / 21 / 22
Nominal Voltage:	20-250V AC/DC
optional:	12-28V AC/DC
Switching capacity:	AC15: 6A @ 250V DC13: 1A @ 24V
Terminals:	2x 2,5mm <sup>2</sup> , Silver contact
Ingress protection:	IP 66
Temperature range:	-55..+60°C
Power consumption:	≤1W
Dimension (mm):	pls. see drawing
Mechanical life:	300.000 cycles
Mounting possibilities:	Backside – DIN-Rail Lid
Lid Mounting:	Thickness 1-6mm

## Certificates

ATEX, IECEx, EAC TC-RU

## Marking

Ex II 2G Ex de IIC Gb / Ex II 2D Ex tD A21 IP66

## Order no.

Rail	Lid	Colour	Contact
QX-0212-..	QX-0212-..		
..PR630x	..PR730x	Red	
..PG630x	..PG730x	Green	
..PY630x	..PY730x	Yellow	
..PB630x	..PB730x	Blue	
..PW630x	..PW730x	White	
..PR640x	..PR740x	Red	
..PG640x	..PG740x	Green	
..PY640x	..PY740x	Yellow	
..PB640x	..PB740x	Blue	
..PW640x	..PW740x	White	

x=1: 20-250V AC/DC x=3: 12-28V AC/DC

# QX-0203-DW...

Ex Potentiometer



Local Control Components



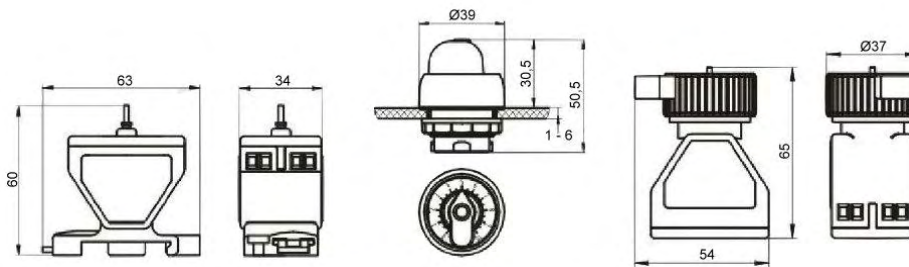
- Wide value range
- Exact adjustable
- International certificates
- Robust construction

## Description

Potentiometer for assembling of control panels or local control stations.

Robust and reliable construction with 2,5mm<sup>2</sup> silver contact terminals and nominal voltage up to 250V.

The Potentiometer has got 3-poles, adjustable from 0 to 100%.



## Possible Application

- Control Panels
- Local control stations

## Technical Data

Zone:	1 / 2 / 21 / 22
Nominal Voltage max.:	200VDC
Power max.:	0,1W
Terminals:	2x 2,5mm <sup>2</sup> , Silver
Ingress protection:	IP 66
Temperature range:	-55..+60°C
Dimension (mm):	pls. see drawing
Range:	0-100%
Mounting possibilities:	Backside – DIN-Rail Lid
Lid Mounting:	Thickness 1-6mm

## Certificates

ATEX, IECEx, EAC TC-RU

## Marking

Ex II 2G Ex de IIC Gb / Ex II 2D Ex tD A21 IP66

## Order no.

x = 6: Rail mounting / x = 7: Lid mounting

Value	Order number
100 Ω	QX-0203-DWx01
200 Ω	QX-0203-DWx02
500 Ω	QX-0203-DWx03
1.000 Ω	QX-0203-DWx04
2.000 Ω	QX-0203-DWx05
5.000 Ω	QX-0203-DWx06
10.000 Ω	QX-0203-DWx07
20.000 Ω	QX-0203-DWx08
50.000 Ω	QX-0203-DWx09
100.000 Ω	QX-0203-DWx10
200.000 Ω	QX-0203-DWx11
500.000 Ω	QX-0203-DWx12
1.000.000 Ω	QX-0203-DWx13
2.000.000 Ω	QX-0203-DWx14

# QX-0205...

Ex Ampere- / Voltmeter



Local Control Components



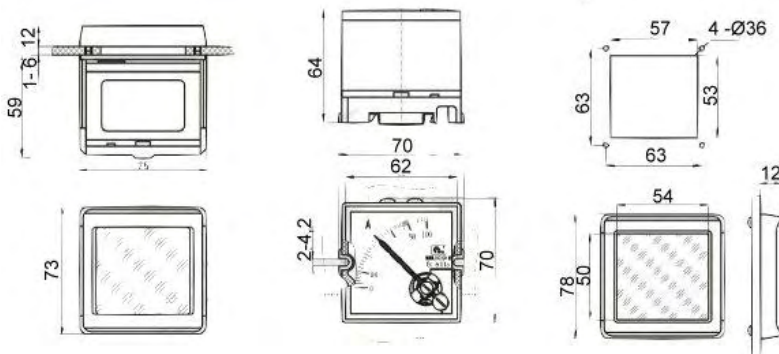
- Wide measurement range
- Moving iron instrument
- International certificates
- Robust construction

## Description

Ampere- / Voltmeter for assembling of control panels or local control stations.

Robust and reliable construction with 2,5mm<sup>2</sup> terminals.

Direct and indirect measurement (by current transformer) available.



## Possible Application

- Control Panels
- Local control stations

## Technical Data

Zone:	1 / 2 / 21 / 22
Measurement range:	pls. see table
Accuracy class:	1,5
For current transformer:	1 or 5A
Overload scale factor:	2 or 5-fold
Terminals:	2x 2,5mm <sup>2</sup> , Silver
Ingress protection:	IP 66
Temperature range:	-55..+60°C
Dimension (mm):	pls. see drawing
Mounting possibilities:	Backside – DIN-Rail Lid
Lid Mounting:	Thickness 1-6mm

## Certificates

ATEX, IECEX, EAC TC-RU

## Marking

⊕ II 2G Ex e IIC Gb / ⊕ II 2D Ex tD A21 IP66

## Order no.

Pls. see next page

# QX-0205...





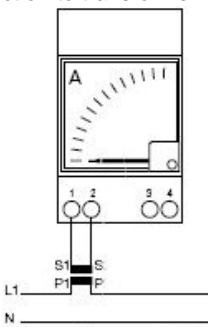
Ex Ampere- / Voltmeter

Erfahrung ist Zukunft



Local Control Components



Voltmeter, rail mounting:	Calotte	Measuring method	Overload factor	Measuring range	Order Number QX-0205-
	EXM	Voltage AC		0-25V 0-40V 0-150V 0-250V 0-500V	M□V 25 M□V 40 M□V 150 M□V 250 M□V 500
Ammeter, rail mounting: 		Current AC/DC (0)4-20mA	2	0-20 / 40mA 4-20 / 40mA	M□MA 11 M□MA 12
Ammeter, lid mounting: 		Current AC direct measurement	2	0-1 / 2A 0-4 / 8A 0-5 / 10A 0-10 / 20A 0-15 / 30A	M□DA 1 M□DA 4 M□DA 5 M□DA 10 M□DA 15
Window - EXM: 		Current AC for transformer	2	0-1 / 2A 0-2.5 / 5A 0-5 / 10A 0-15 / 30A 0-25 / 50A 0-40 / 80A 0-50 / 100A 0-60 / 120A 0-75 / 150A 0-100 / 200A 0-150 / 300A 0-200 / 400A 0-250 / 500A 0-300 / 600A 0-400 / 800A 0-500 / 1000A 0-600 / 1200A	M□WA 01 / □ -2 M□WA 2.5 / □ -2 M□WA 5 / □ -2 M□WA 15 / □ -2 M□WA 25 / □ -2 M□WA 40 / □ -2 M□WA 50 / □ -2 M□WA 60 / □ -2 M□WA 75 / □ -2 M□WA 100 / □ -2 M□WA 150 / □ -2 M□WA 200 / □ -2 M□WA 250 / □ -2 M□WA 300 / □ -2 M□WA 400 / □ -2 M□WA 500 / □ -2 M□WA 600 / □ -2
Connection to transformer: 		Current AC for transformer	5	0-1 / 5A 0-2.5 / 12.5A 0-5 / 25A 0-15 / 75A 0-25 / 125A 0-40 / 200A 0-50 / 250A 0-60 / 300A 0-75 / 375A 0-100 / 500A 0-150 / 750A 0-200 / 1000A 0-250 / 1250A 0-300 / 1500A 0-400 / 2000A 0-500 / 2500A 0-600 / 3000A	M□WA 01 / □ -5 M□WA 2.5 / □ -5 M□WA 5 / □ -5 M□WA 15 / □ -5 M□WA 25 / □ -5 M□WA 40 / □ -5 M□WA 50 / □ -5 M□WA 60 / □ -5 M□WA 75 / □ -5 M□WA 100 / □ -5 M□WA 150 / □ -5 M□WA 200 / □ -5 M□WA 250 / □ -5 M□WA 300 / □ -5 M□WA 400 / □ -5 M□WA 500 / □ -5 M□WA 600 / □ -5
6 – rail mounting 7 – lid mounting Connection to transformer: 1A = 1 5A = 5					



QX-02/4031/1

**Label**

This label is used for identification of local control components and will be supplied laser engraved on demand.



QX-02/4031/4

**Label large**

This label is used for identification of large selector switches and will be supplied laser engraved on demand.



QX-02/4003/1

**Emergency-Stop label, round**

For sticking on the surface under the button



QX-02/4003/2

**Emergency-Stop label, crosswise**

For sticking on the surface under the button



QX-02/4009-25

**Overhanging part**

The overhanging part is used for the buttons of hoist and other moveable control functions together with M25 glands



QX-02/4006

**Socket Spanner**

This tool is used for mounting of operators in the lid.



QX-02/4019

**Safety flap, with clear lid**

This will avoid accidentally use of the operators



QX-02/4019/3-7

**Safety flap for Pushbutton, lockable, with clear lid**

This will avoid accidentally use of the operators



QX-02/4019/2

**Safety catch / Shroud for Emergency stop button**

To prevent from accidentally use of the Emergency stop button.



QX-02/4019/2+9

**Safety catch / Shroud for Emergency stop button lockable**

To prevent from accidentally use of the Emergency stop button. Furthermore the Emergency stop button can be fixed and interlocked by a bow.



# LED-0865 / 0866

Ex Approved LED Light Fitting



Ex LED Light Fittings



- For Gas and Dust Ex, Zone 1/2/21/22
- Latest LED-Technique, maintenance free
- Available with emergency function
- Wide range of power supply
- Robust construction / easy installation
- Various mounting accessories available

## Description

The full plastic explosion proof LED light fittings are made of glass fibre reinforced Polyester. The transparent lid is manufactured from UV-resistant polycarbonate.

As an option the fittings are available with diffuser, which will spread the light uniformly.

Using the emergency version, the LEDs will be continuously lighting after breakdown of power supply, with lower intensity, by integrated battery.

The LED fittings with latest technology will give you extreme high luminosity at low power consumption and a maintenance free product.

There are different mounting options available, like ceiling bracket, hung to the ceiling on chains, brackets with distance from the ceiling, wall mount or clamp-on.



## Possible application

- Petro chemistry / Refinery / Offshore
- Wastewater industry / Sewage treatment
- Shipbuilding / Tanker / Tank farm
- Ex-manufacturing plant / Filling station

## Technical Data

Nominal Voltage:	100..250VAC 50/60Hz
Terminals:	L/N/PE je 2x1,5-10mm <sup>2</sup>
Cable glands:	1x M25x1,5 (8-17mm)
Stopping plugs:	2x M25x1,5
Ingress protection:	IP66
Color temperature:	5700K
Color rendering index Ra:	≥80
Power factor λ:	> 0,95
Dimension:	1x30W: 698 x 222 x 145mm 2x30W: 1310 x 222 x 145mm

## Certifications / Marking

ATEX, IECEx Ex Zone 1 / 2 / 21 / 22

Ex II 2G Ex db eb mb op is q IIC (T5)/T4 Gb

Ex II 2D Ex tb op is IIIC T80° Db

## Data without emergency function

Temperature class:	T5 / T4
Temperature range:	-25..+40°C @ T5 -25..+55°C @ T4
Luminous flux:	1x30W: 3396lm / w. diff. 2923lm 2x30W: 6836lm / w. diff. 5868lm
Weight:	1x30W: 5,5Kg / w. diff. 5,6Kg 2x30W: 8,9Kg / w. diff. 9,1Kg

## Data with emergency function

Temperature class:	T4
Temperature range:	-25..+50°C @ 1x30W -25..+55°C @ 2x30W
Luminous flux:	1x30W: 2920lm / w. diff. 2377lm 2x30W: 5978lm / w. diff. 4671lm
Luminous flux @ emergency:	1x30W: 893lm / w. diff. 712lm 2x30W: 1794lm / w. diff. 1435lm
Emergency illum. time:	>120min
Recharging / Start time:	24h / 0,1sec.
Weight:	1x30W: 8,6Kg / w. diff. 8,7Kg 2x30W: 11,9Kg / w. diff. 12,1Kg

# LED-0865 / 0866

Ex Approved LED Light Fitting

Ex LED Light Fittings

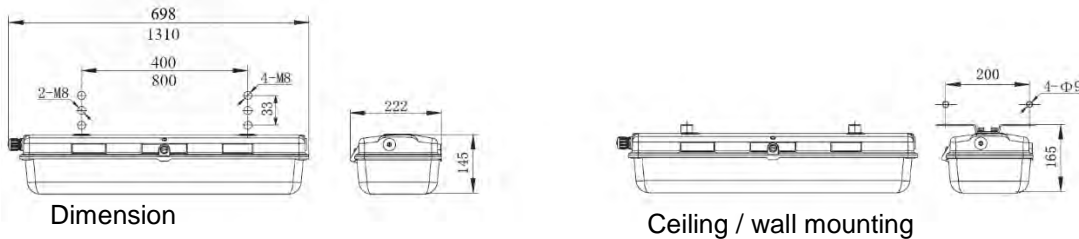


## Order-no

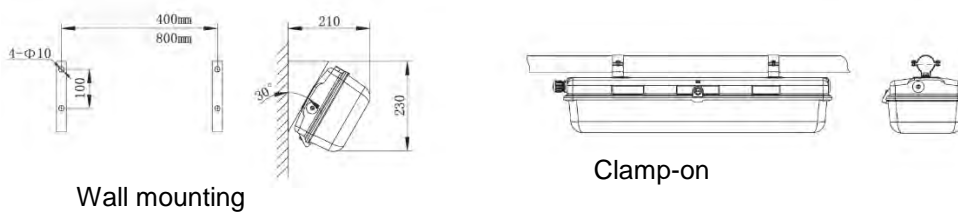
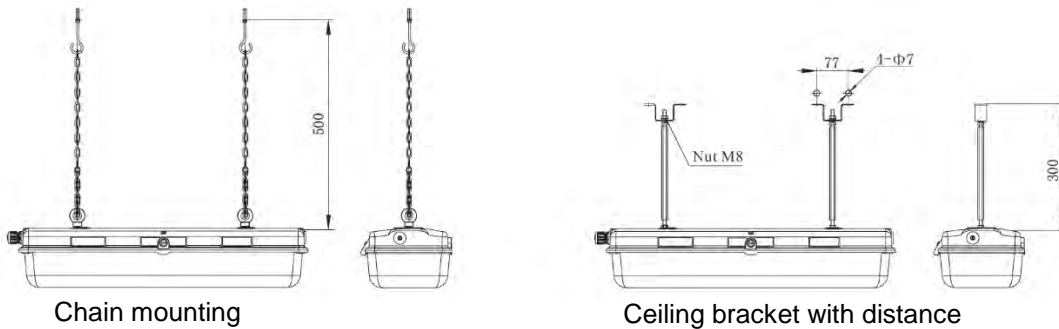
	w/o Emergency w/o diffusor	w/o Emergency with diffusor	with Emergency func. w/o diffusor	with Emergency func. with diffusor
1x 30W	LED-0865 1x30W1-B	LED-0865 1x30W2-B	LED-0865 1x30W1-YJ-B	LED-0865 1x30W2-YJ-B
2x 30W	LED-0866 2x30W1-B	LED-0866 2x30W2-B	LED-0866 2x30W1-YJ-B	LED-0866 2x30W2-YJ-B

## Mounting accessories

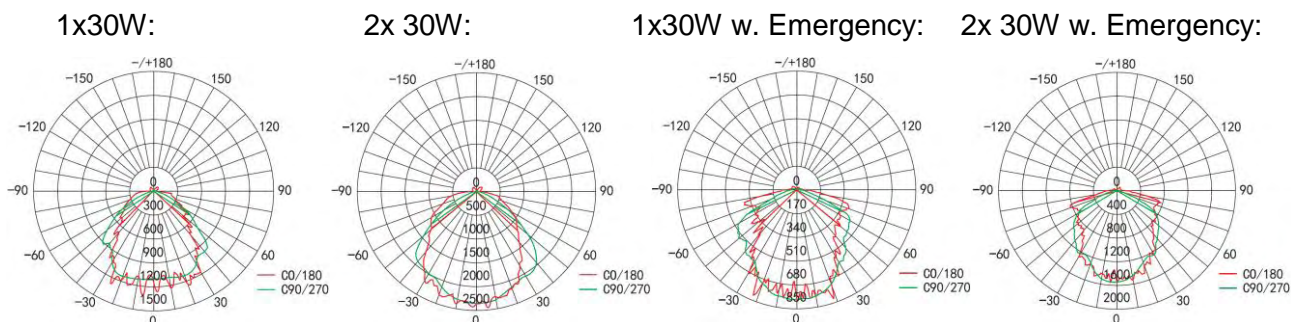
As standard all LED light fittings will be delivered with mounting bracket for ceiling / wall mounting.



## Mounting accessories as Option



## Luminous intensity in cd (w/o diffusor)



# FL-0865 / 0866

Ex Approved Fluorescent Light Fitting



Ex Light Fittings



- Wide range of power supply
- Robust construction
- Available with emergency function
- Interlock by opening lid
- Easy installation
- Various mounting accessories available

## Description

The full plastic explosion proof fluorescent light fittings are made of glassfibre reinforced Polyester. The transparent lid is manufactured from UV-resistant polycarbonate.

Using the emergency version, one tube will be continues lighting by integrated battery after breakdown of power supply.

The disconnect switch is actuated by the latch. Following explosion-proof components are installed: electronic ballast, isolation switch, lamp holders, terminals fuse and optional battery. Installation can be hung as a ceiling on chains, made to bracket with distance from the ceiling, wall mount or clamp-on.

Philips two-pin fluorescent tubes are used as lamps and are part of supply.



## Technical Data

Nominal Voltage:	110..240VAC 50/60Hz
Terminals:	L, N, PE each 2 x 1,5-10mm <sup>2</sup>
Ingress protection:	IP66
Temperature range:	-25..+40°C
Power factor λ:	> 0,98
Energy efficiency index:	EEI = A2
Temperature class:	T4
Lamp holder / tube type:	G13 / T8
Cable glands:	1x M25x1,5 (8-17mm)
Blind plugs:	2x M25x1,5
With emergency function:	
Emergency illuminating time:	>120min
Charging / Starting time:	24h / 0,1sek.
Dimensions (mm):	
2x18W:	725 x 222 x 145
2x36W:	1335 x 222 x 145
Weights	
2x18W:	5,0Kg / emerg. 6,8Kg
2x36W:	7,9Kg / emerg. 9,9Kg

## Possible Application

Ex Zone 1 / 2 / 21 / 22

## Certificates

ATEX, IECEx

## Marking

Without Fuse:

Ex II 2GD Ex deq IIC T4 Gb / Ex tD A21 T80°

With Fuse:

Ex II 2GD Ex deqmb IIC T4 Gb / Ex tD A21 T80°

## Order no.

Without emergency function:

2x18W: FL-0865 2x18W-1-B

2x36W: FL-0866 2x36W-1-B

With emergency function:

2x18W: FL-0865 2x18W-1-YJ-B

2x36W: FL-0866 2x36W-1-YJ-B

All Lamps are supplied with 2 mounting brackets for ceiling / wall mounting.

# FL-0865 / 0866

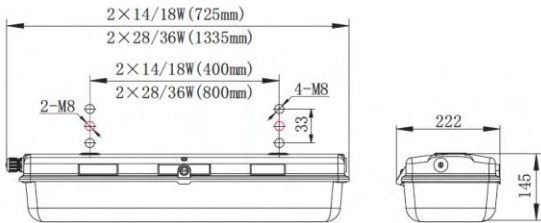
Ex Approved Fluorescent Light Fitting

Ex Light Fittings

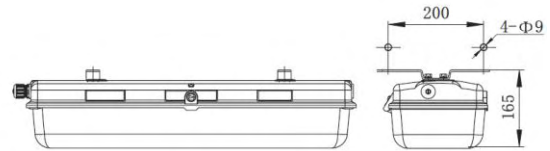


## Mounting accessories

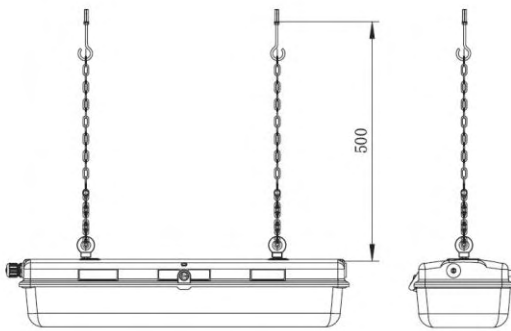
Further mounting accessories is available on request



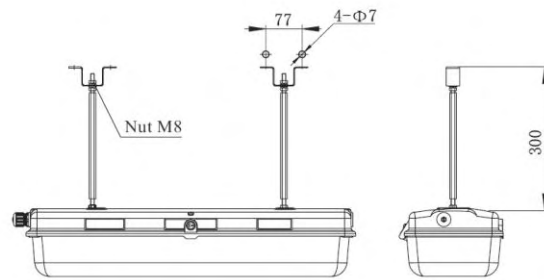
Dimensions



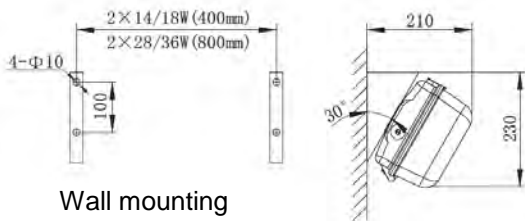
Ceiling mounting



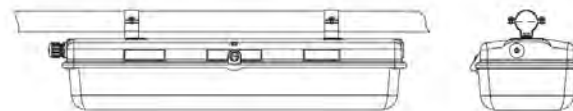
Chain mounting



Ceiling bracket with distance



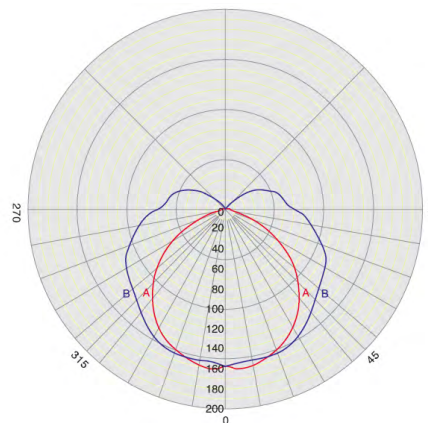
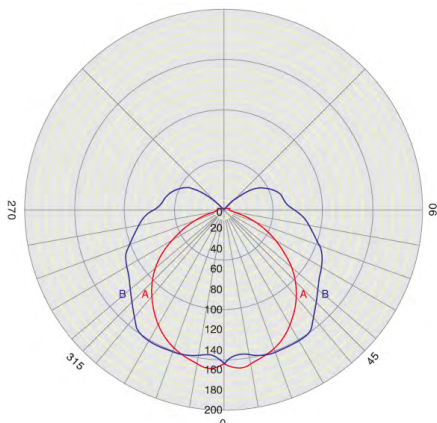
Wall mounting



Clap-on

Luminous intensity 2x18W: I (cd / 1000lm)

2x36W: I (cd / 1000lm)



Ex approved signal tower in flameproof enclosure

Ex-d Signal Tower



- For Gas- and Dust Ex, Zone 1/2/21/22
- Latest LED-Technique
- Assembly with line bushing
- Flexible assembling with lamp modules
- Very robust structure
- High chemical resistance

### Description

The Ex approved signal tower is equipped with latest technology, bright and maintenance free LED-technique.

Applications are status indication, fault indication, level indication, access authorisation and traffic lights.

There are 2 different sizes of enclosures available. One for up to 4 (430mm) and the other for 5 (470mm) signal lamps.

The signal towers are delivered with cable gland or ready installed and connected line bushing.

Advantage of the line bushing is a pre-wired and ready-for-connection unit.

There are up to 2 cable glands or line bushings possible. So you can easily connect more signal towers in line.



### Possible application

- Petro chemistry / Refinery / Offshore
- Wastewater industry / Sewage treatment
- Shipbuilding / Tanker
- Tank farm / Filling station
- Ex-manufacturing plant

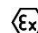

### Technical Data

Material:	Aluminium die casting with tube of borosilicate glass
Dimension:	430(470)x174x210mm
Fixing centres:	345(385)mm / 2x10Ø
Ingress protection:	IP 66
Impact resistance:	7 Joule
Temperature range:	-40...+50°C
Weight:	
1..4 Modules:	5,7 kg
5 Modules:	6,0 kg

### Certificates

ATEX, IECEx, EAC TC-RU, Zone 1 / 2 / 21 / 22

### Marking

 II 2G Ex db IIC T6/T5  
 II 2D Ex db IIIC T120°C

### Technical Data of Modules

Steady light 24V AC/DC: I=0,054A  
 Steady light 230V AC: I=0,028A  
 Steady light 110V AC: I=0,031A  
 Flash light 24V AC/DC: I=0,136A  
 Flash light 230V AC: I=0,01A  
 Flash light 110V AC: I=0,01A

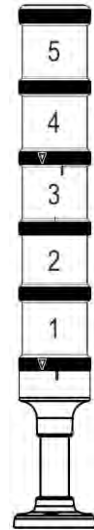
Light source: 12 pcs LEDs per Module  
 Lifespan: up to 100.000h  
 Equal uninterrupted use > 10 Years

Terminals in cage clamp technology:  
 up to 2,5mm<sup>2</sup> / 14AWG



## Order key

ST	U	M1	M2	M3	M4	M5
<b>Quintex Signal Tower</b>						
<b>Voltage:</b> 1 = 24V AC/DC +/-10% 2 = 230/240V AC +/-10% 3 = 110/120V AC +/-10%						
<b>Module 1...5 colour and function</b> R = red / G = green / Y = yellow / O = orange (amber) / B = blue / W = white (clear) X = red flashlight / Z = orange flashlight						



Sample for standard signal tower:

ST-1-G-O-R: (Voltage = 24VDC / Module1 = green / Module2 = orange / Module3 = red)

## Accessories

The signal towers are supplied as standard with 2 blind plugs M20.

We assemble the appropriate cable glands on request. For this we need with the order the desired cable diameters.

Furthermore we equip the signal tower with optional line bushings. For this we need with the order the desired cable length and type (standard is Ölflex 5G0,75 or 7G0,75).

## Connection types

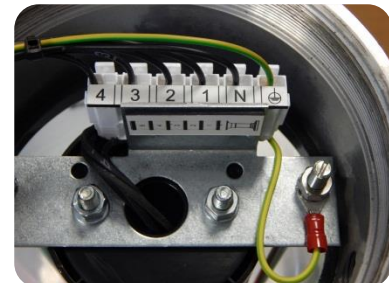
Line bushing:



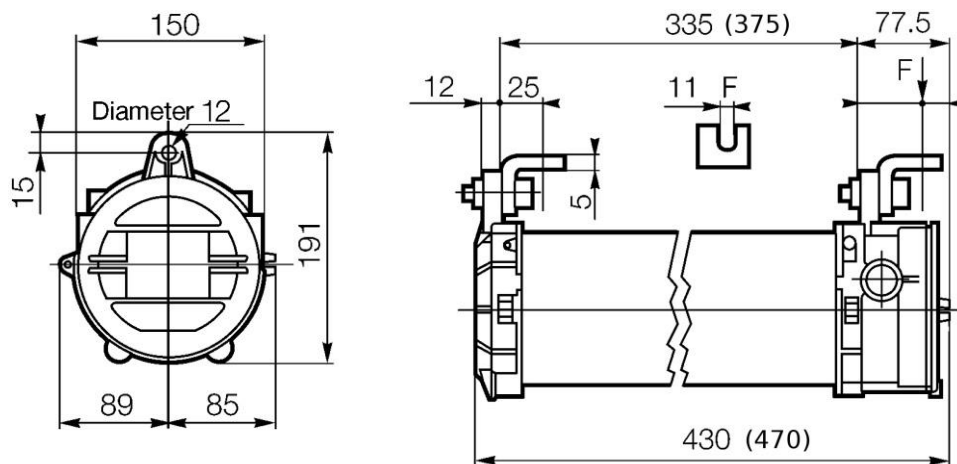
Cable gland:



Connection terminal:



## Dimension drawing



# EL-EXIT... / EL-WAY...

Ex approved emergency exit sign lamp and escape lighting in flameproof enclosure



Ex-d Emergency Lighting



- For Gas- and Dust Ex, Zone 1/2/21/22
- Latest LED-Technique
- With storage battery or central supplied
- Ready-for-connection with linebushing
- Very robust structure
- High chemical resistance

## Description

The Ex approved emergency exit and escape lights are equipped with modern, high luminosity and maintenance-free LED-technique.

They are supplied with storage battery, which is controlled, tested and gently charged by intelligent electronics.

Furthermore there is a version without battery available which is used with central emergency power supply.

Applications are escape doors, emergency exits, escape ways, and all areas where illumination is necessary after power down.

The emergency lamps are supplied with ready-for-connection linebushing and so installation is quite easy.

There are up to 2 line bushings (cable glands) possible. So you can easily connect more signal towers in line.



## Possible application

- Petro chemistry / Refinery / Offshore
- Wastewater industry / Sewage treatment
- Shipbuilding / Tanker
- Tank farm / Filling station
- Ex-manufacturing plant

## Technical Data

Material:	Aluminium die cast with tube of borosilicate glass
Dimension:	430x174x210mm
Fixing centres:	345mm / 2x10Ø
Ingress protection:	IP66
Impact resistance:	7 Joule / IK08
Temperature range:	
without battery:	-20...+40°C
with battery:	0...+40°C
Weight:	5,8 kg

## Marking

Ex II 2G Ex db IIB T6/T5  
Ex II 2D Ex tb IIB T85°C/T100°C

## Certificates

ATEX, EAC TC-RU, Zone 1 / 2 / 21 / 22

## Acc. standards for illumination

EN 60598-1, EN 60598-2-22  
EN 61347-2-7, EN 1839, EN-ISO 7010

## Technical Data of Modules

Emergency exit lamps:

Amount LEDs:	2
Illumination duration w. battery:	>1h
Voltage:	230V, 50Hz
Current / Power w battery:	17mA / 2W, 4VA
Current / Power wo battery:	7mA / 0,7W, 1,5VA
Recognition distance:	25m

Escape lighting:

Amount LEDs:	4
Illumination duration w. battery:	>1h
Voltage:	230V, 50Hz
Current / Power w battery:	50mA / 7W, 13VA
Current / Power wo battery:	65mA / 7,5W, 15VA
Luminous flux:	440 lm

# EL-EXIT... / EL-WAY...

Ex approved emergency exit sign lamp and escape lighting in flameproof enclosure

Ex-d Emergency Lighting



## Order key

EL - EXIT - D - 1 - 10	
<b>Quintex</b> Emergency Light	
EXIT = Emergency exit sign light WAY = Escape lighting	
Emergency exit sign light, Pictogram: U = Arrow up L = Arrow left R = Arrow right D = Arrow down	
Escape lighting : 0 = Standard (not switchable) S = switchable	
1 = with battery 2 = for central emergency supply 230V AC/DC	
0 = with cable gland M20, diam. 3,2-8,7mm (other diameters or types on request)	
10 = Length of the cable with line bushing	

Lamps with DALI control on request  
(Digital Addressable Light Interface)

## Standard

The emergency lights are supplied as standard with one line bushing with 10m cable and 1 blind plug M20. For fixing of the signal tower there are 2 mounting brackets in stainless steel 316L pre-installed.

## Connection types

Linebushing:



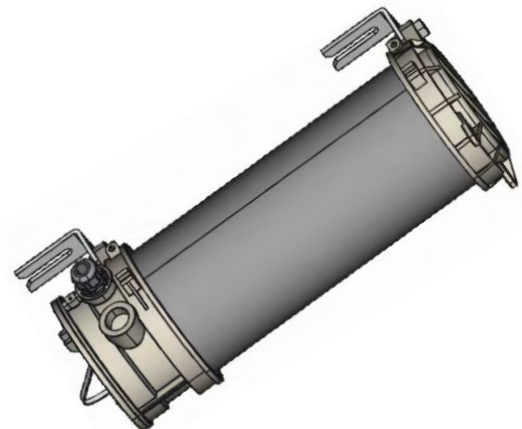
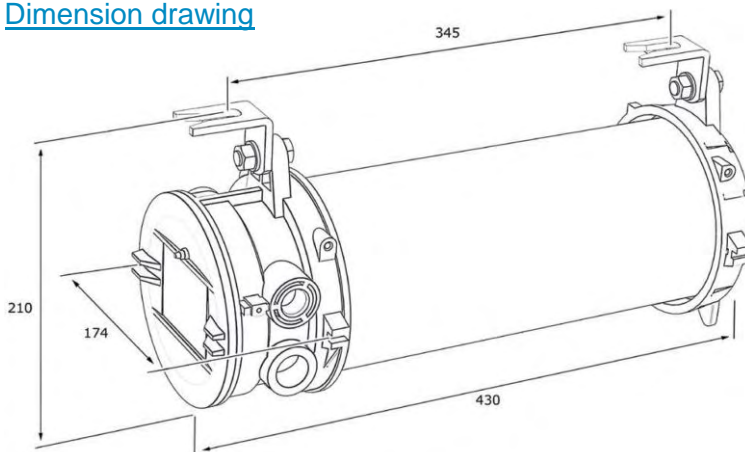
Option: Cable gland



Internal connection:



## Dimension drawing



## Pictogram acc. EN-ISO 7010

y = U:  
Arrow up  
Part-no. Pictogram:  
PICTO UP



y = L:  
Arrow left  
Part-no. Pictogram:  
PICTO LEFT



y = R:  
Arrow right  
Part-no. Pictogram:  
PICTO RIGHT



y = D:  
Arrow down  
Part-no. Pictogram:  
PICTO DOWN



Special pictograms on request



Ex approved Wireless Accesspoint as Dome or Tower Version  
in flameproof special-glass-enclosure

Ex-d Accesspoint



- For Gas- and Dust Ex, Zone 1/2/21/22
- Latest Technique
- Assembly with LAN line bushing
- Customized configuration possible
- Very robust structure
- High chemical resistance

## Description

The Quintex Ex approved accesspoints are available in different enclosure sizes and configurations for wall- or ceiling mounting as dome or tower version

As standard there are installed the latest and powerful accesspoints.

Advantage is the installation of standard components, without usage of expensive Ex-Antennas and Ex-i bushings.

The accesspoints are ready-to-use and equipped with a CAT-7 line-bushing with 10m cable (optional customisable).

It is always possible to realize customer demands and to install access points from other manufacturers as well as other radio systems, 2G, 3G or 4G.

Typical applications are WIFI applications in industrial halls with Ex-zones, offshore, production and filling plants.



## Possible application

- Petro chemistry / Refinery / Offshore
- Wastewater industry / Sewage treatment
- Shipbuilding / Tanker
- Tank farm / Filling station
- Ex-manufacturing plant


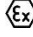
## Technical Data

Material:	Aluminium die cast with tube or dome of special glass
Dimension:	Pls. see details
Ingress protection:	IP 66
Impact resistance:	7 Joule
Temperature range:	-10(-30)...+50°C
Weight:	Pls. see details

## Certificates

ATEX, Zone 1 / 2 / 21 / 22

## Marking

 II 2G Ex db IIC T6/T5  
 II 2D Ex db IIIC T80°C

## Options:

- Customized configuration
- With integrated PoE Adaptor
- Accesspoints of other manufacturers possible
- Radio and company communication
- Customized cables and length for linebushing
- Safety guard
- Brackets for walls, sealing or poles
- For Tower-Version: different heights of enclosures up to 1000mm.

Do not hesitate and ask for your configuration.

# WirEx-Dome / WirEx-Tower



Ex approved Wireless Accesspoint as Dome or Tower Version  
in flameproof special-glass-enclosure

Ex-d Accesspoint

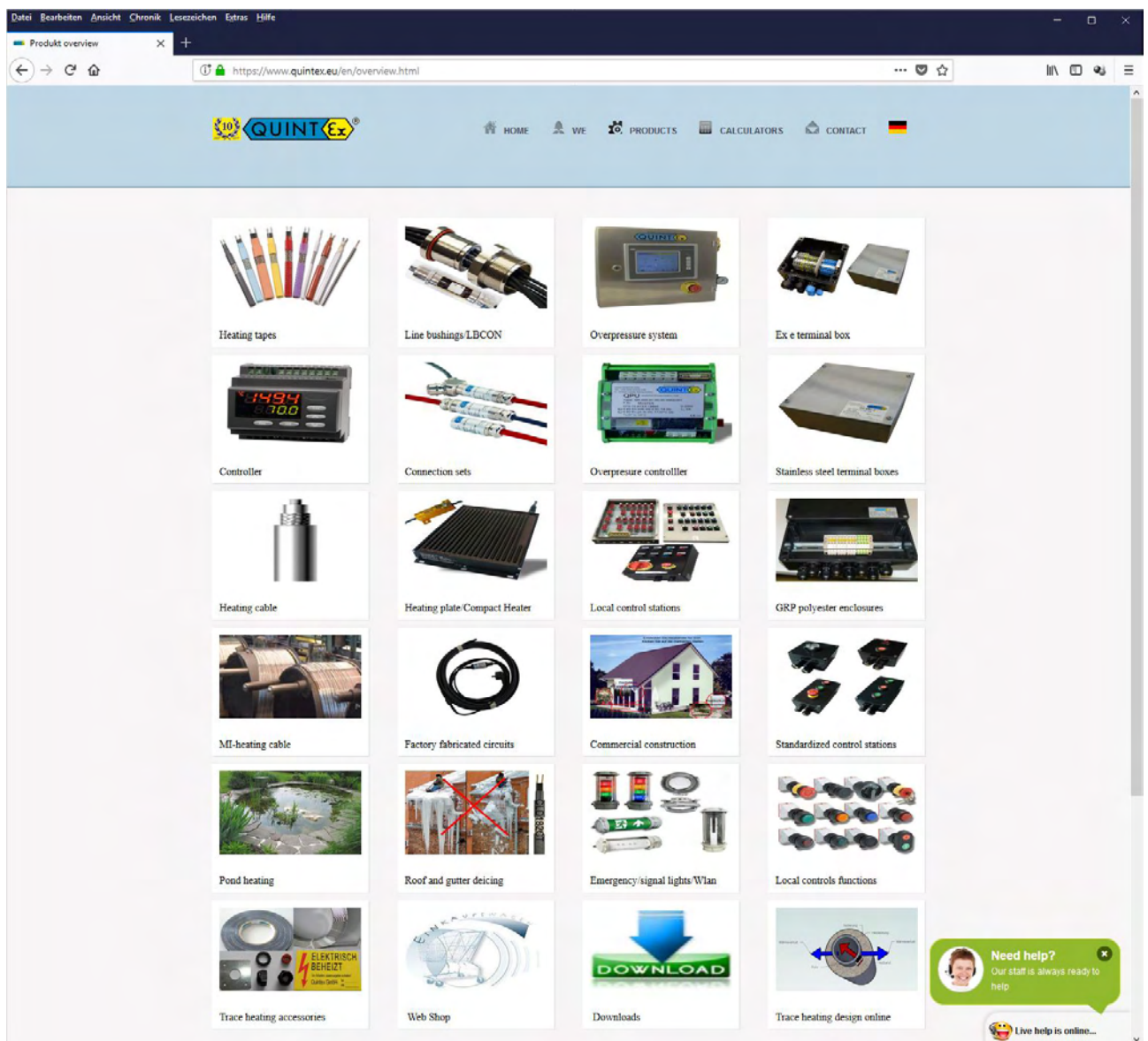


[Technical data in detail:](#)

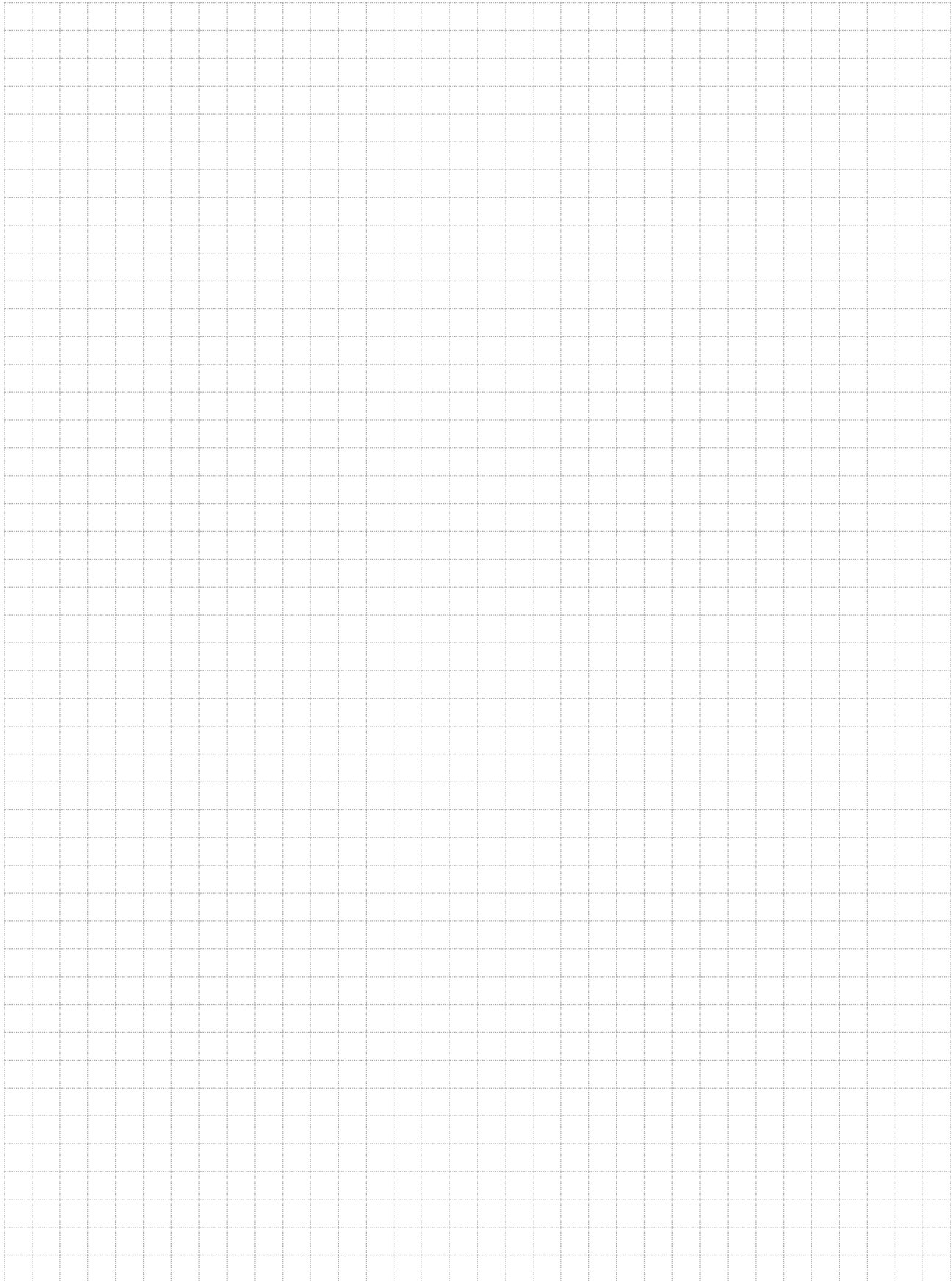
	WirEx-Dome	WirEx-Tower
		
Simultaneous Dual Band 2,4 / 5 GHz	✓	✓
2,4 GHz Radio Rate:	300 Mbps	300 Mbps
2,4 GHz MIMO:	2x2	2x2
5 GHz Radio Rate:	867 Mbps	867 Mbps
5 GHz MIMO:	2x2	2x2
Mesh technology:	✗	✓
Power Save:	✓	✓
Max. power consumption:	6,5W	8,5W
Ethernet Ports:	1x 10/100/1000	1x 10/100/1000
PoE Mode:	802.3af/A PoE 24V Passive PoE	802.3af/A PoE 24V Passive PoE
Max TX Power 2,4 / 5 GHz:	24/22 dBm	20 dBm
Antennas:	2x dual-band	2 dual-band omni
2,4 GHz	3 dBi	3 dBi
5 GHz	3 dBi	4 dBi
Wi-Fi Standards:	802.11 a/b/g/n/ac	802.11 a/b/g/n/ac
Wireless Security:	WEP, WPA-PSK, WPA-Enterprise (WPA/WPA2, TKIP/AES)	WEP, WPA-PSK, WPA-Enterprise (WPA/WPA2, TKIP/AES)
BSSID:	Up to 8 per Radio	Up to 8 per Radio
VLAN	802.1Q	802.1Q
Clients:	250+	250+
Temperature range:	-10...+50°C	-30...+50°C
Dimension (WxHxD):	307x330x170mm	191x150x470mm
Weight:	7,7 Kg	6,0Kg

Please visit our Webpage to see the latest information about Quintex

If you need quick help, please use our online chat.  
 Free of charge and easy to use



**Notes:**



# LED-0865 / 0866

Ex Approved LED Light Fitting



Ex LED Light Fittings



- For Gas and Dust Ex, Zone 1/2/21/22
- Latest LED-Technique, maintenance free
- Available with emergency function
- Wide range of power supply
- Robust construction / easy installation
- Various mounting accessories available

## Description

The full plastic explosion proof LED light fittings are made of glass fibre reinforced Polyester. The transparent lid is manufactured from UV-resistant polycarbonate.

As an option the fittings are available with diffuser, which will spread the light uniformly.

Using the emergency version, the LEDs will be continuously lighting after breakdown of power supply, with lower intensity, by integrated battery.

The LED fittings with latest technology will give you extreme high luminosity at low power consumption and a maintenance free product.

There are different mounting options available, like ceiling bracket, hung to the ceiling on chains, brackets with distance from the ceiling, wall mount or clamp-on.



## Possible application

- Petro chemistry / Refinery / Offshore
- Wastewater industry / Sewage treatment
- Shipbuilding / Tanker / Tank farm
- Ex-manufacturing plant / Filling station

## Technical Data

Nominal Voltage: 100..250VAC 50/60Hz  
Terminals: L/N/PE je 2x1,5-10mm<sup>2</sup>  
Cable glands: 1x M25x1,5 (8-17mm)  
Stopping plugs: 2x M25x1,5  
Ingress protection: IP66  
Color temperature: 5700K  
Color rendering index Ra: ≥80  
Power factor λ: > 0,95  
Dimension: 1x30W: 698 x 222 x 145mm  
2x30W: 1310 x 222 x 145mm

## Certifications / Marking

ATEX, IECEx Ex Zone 1 / 2 / 21 / 22

Ex II 2G Ex db eb mb op is q IIC (T5)/T4 Gb

Ex II 2D Ex tb op is IIIC T80° Db

## Data without emergency function

Temperature class: T5 / T4  
Temperature range: -25..+40°C @ T5  
-25..+55°C @ T4  
Luminous flux: 1x30W: 3396lm / w. diff. 2923lm  
2x30W: 6836lm / w. diff. 5868lm  
Weight: 1x30W: 5,5Kg / w. diff. 5,6Kg  
2x30W: 8,9Kg / w. diff. 9,1Kg

## Data with emergency function

Temperature class: T4  
Temperature range: -25..+50°C @ 1x30W  
-25..+55°C @ 2x30W  
Luminous flux: 1x30W: 2920lm / w. diff. 2377lm  
2x30W: 5978lm / w. diff. 4671lm  
Luminous flux 1x30W: 893lm / w. diff. 712lm  
@ emergency 2x30W: 1794lm / w. diff. 1435lm  
Emergency illum. time: >120min  
Recharging / Start time: 24h / 0,1sec.  
Weight: 1x30W: 8,6Kg / w. diff. 8,7Kg  
2x30W: 11,9Kg / w. diff. 12,1Kg

# LED-0865 / 0866

Ex Approved LED Light Fitting

Ex LED Light Fittings

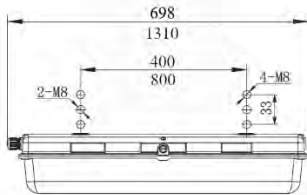


## Order-no

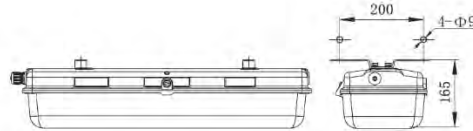
	w/o Emergency w/o diffusor	w/o Emergency with diffusor	with Emergency func. w/o diffusor	with Emergency func. with diffusor
1x 30W	LED-0865 1x30W1-B	LED-0865 1x30W2-B	LED-0865 1x30W1-YJ-B	LED-0865 1x30W2-YJ-B
2x 30W	LED-0866 2x30W1-B	LED-0866 2x30W2-B	LED-0866 2x30W1-YJ-B	LED-0866 2x30W2-YJ-B

## Mounting accessories

As standard all LED light fittings will be delivered with mounting bracket for ceiling / wall mounting.

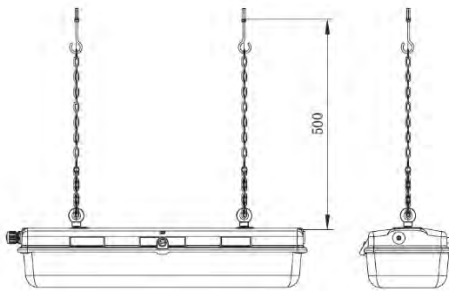


Dimension

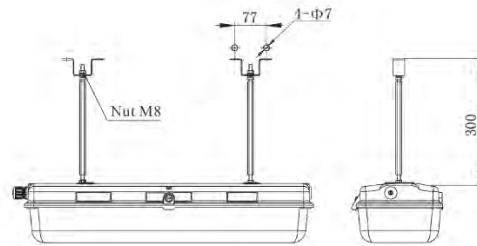


Ceiling / wall mounting

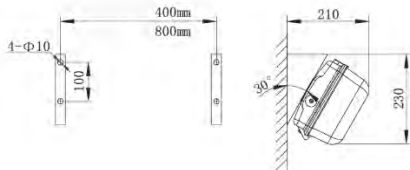
## Mounting accessories as Option



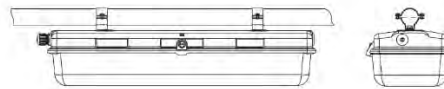
Chain mounting



Ceiling bracket with distance



Wall mounting



Clamp-on

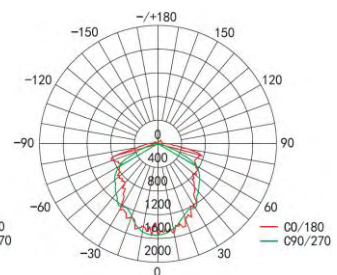
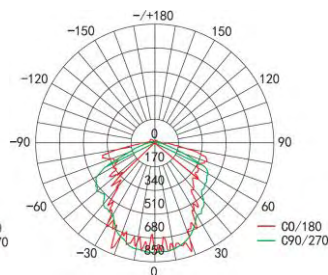
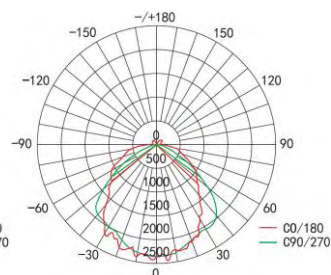
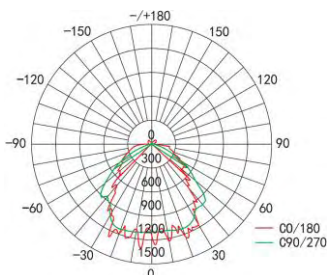
## Luminous intensity in cd (w/o diffusor)

1x30W:

2x 30W:

1x30W w. Emergency:

2x 30W w. Emergency:





- For Gas- and Dust Ex, Zone 1/2/21/22
- Latest LED-Technique
- Assembly with line bushing
- Flexible assembling with lamp modules
- Very robust structure
- High chemical resistance

## Description

The Ex approved signal tower is equipped with latest technology, bright and maintenance free LED-technique.

Applications are status indication, fault indication, level indication, access authorisation and traffic lights.

There are 2 different sizes of enclosures available. One for up to 4 (430mm) and the other for 5 (470mm) signal lamps.

The signal towers are delivered with cable gland or ready installed and connected line bushing.

Advantage of the line bushing is a pre-wired and ready-for-connection unit.

There are up to 2 cable glands or line bushings possible. So you can easily connect more signal towers in line.



## Possible application

- Petro chemistry / Refinery / Offshore
- Wastewater industry / Sewage treatment
- Shipbuilding / Tanker
- Tank farm / Filling station
- Ex-manufacturing plant

## Technical Data

Material: Aluminium die casting with tube of borosilicate glass

Dimension: 430(470)x174x210mm

Fixing centres: 345(385)mm / 2x10Ø

Ingress protection: IP 66

Impact resistance: 7 Joule

Temperature range: -40...+50°C

### Weight:

1..4 Modules: 5,7 kg  
 5 Modules: 6,0 kg

## Certificates

ATEX, Zone 1 / 2 / 21 / 22

## Marking

Ex II 2G Ex db IIC T6/T5  
 Ex II 2D Ex db IIIC T120°C

## Technical Data of Modules

Steady light 24V AC/DC: I=0,054A  
 Steady light 230V AC: I=0,028A  
 Steady light 110V AC: I=0,031A  
 Flash light 24V AC/DC: I=0,136A  
 Flash light 230V AC: I=0,01A  
 Flash light 110V AC: I=0,01A

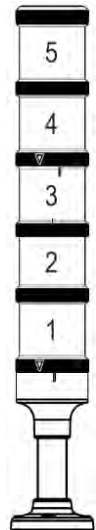
Light source: 12 pcs LEDs per Module  
 Lifespan: up to 100.000h  
 Equal uninterrupted use > 10 Years

Terminals in cage clamp technology:  
 up to 2,5mm<sup>2</sup> / 14AWG



## Order key

ST	U	M1	M2	M3	M4	M5
<b>Quintex Signal Tower</b>						
<b>Voltage:</b> 1 = 24V AC/DC +/-10% 2 = 230/240V AC +/-10% 3 = 110/120V AC +/-10%						
<b>Module 1...5 colour and function</b> R = red / G = green / Y = yellow / O = orange (amber) / B = blue / W = white (clear) X = red flashlight / Z = orange flashlight						



Sample for standard signal tower:

ST-1-G-O-R: (Voltage = 24VDC / Module1 = green / Module2 = orange / Module3 = red)

## Accessories

The signal towers are supplied as standard with 2 blind plugs M20.

We assemble the appropriate cable glands on request. For this we need with the order the desired cable diameters.

Furthermore we equip the signal tower with optional line bushings. For this we need with the order the desired cable length and type (standard is Ölflex 5G0,75 or 7G0,75).

## Connection types

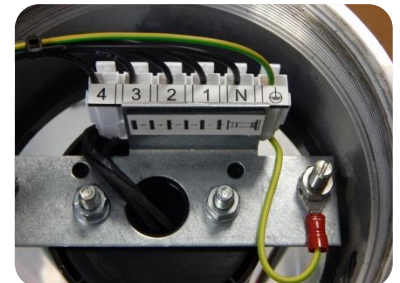
Line bushing:



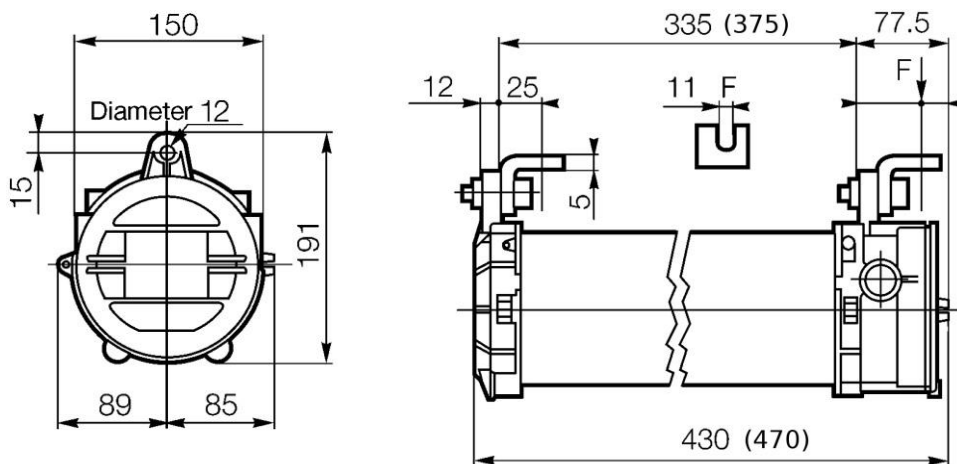
Cable gland:



Connection terminal:



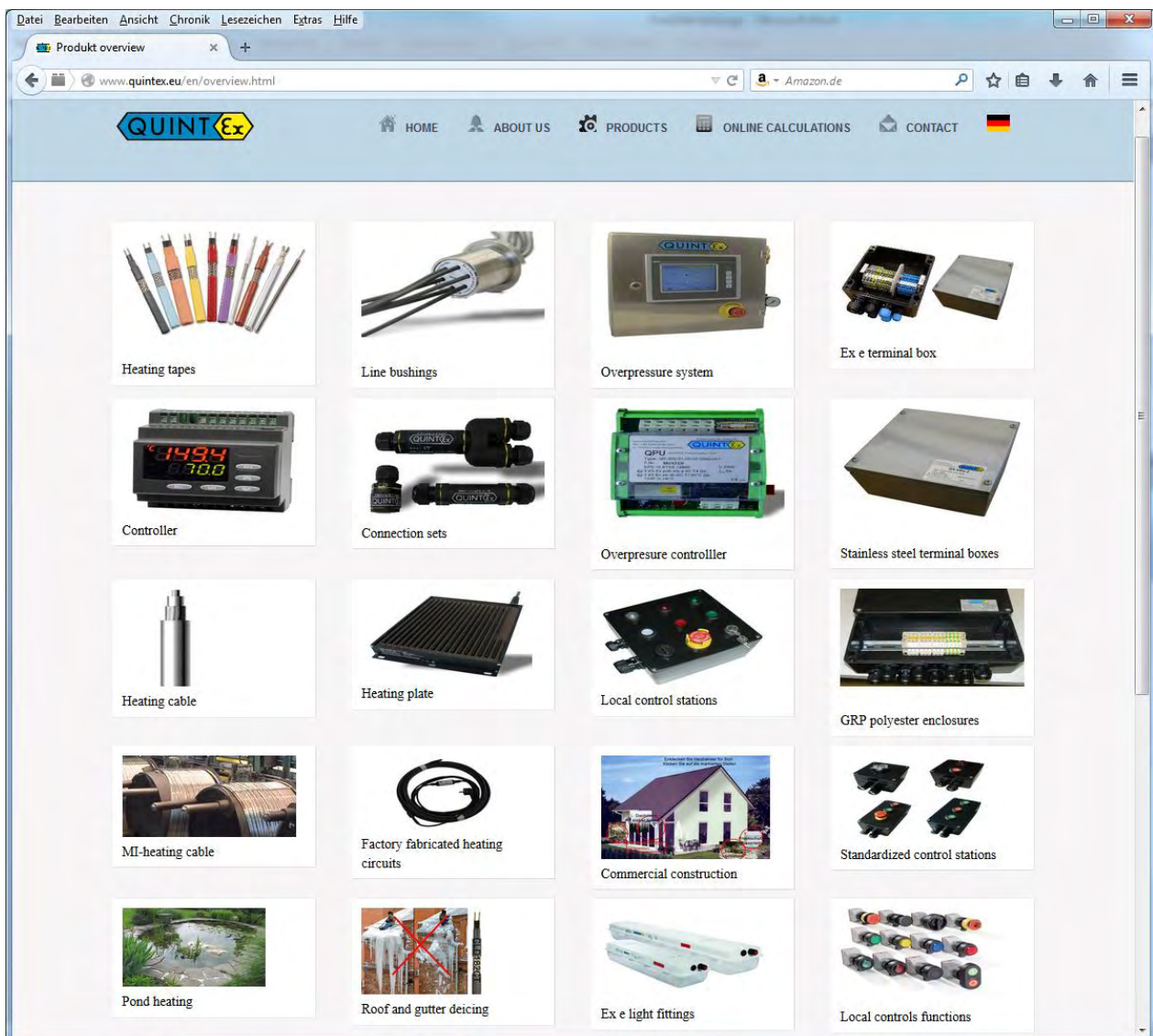
## Dimension drawing





# Please visit our Webpage to see the latest information about Quintex

If you need quick help, please use our online chat.  
 Free of charge and easy to use

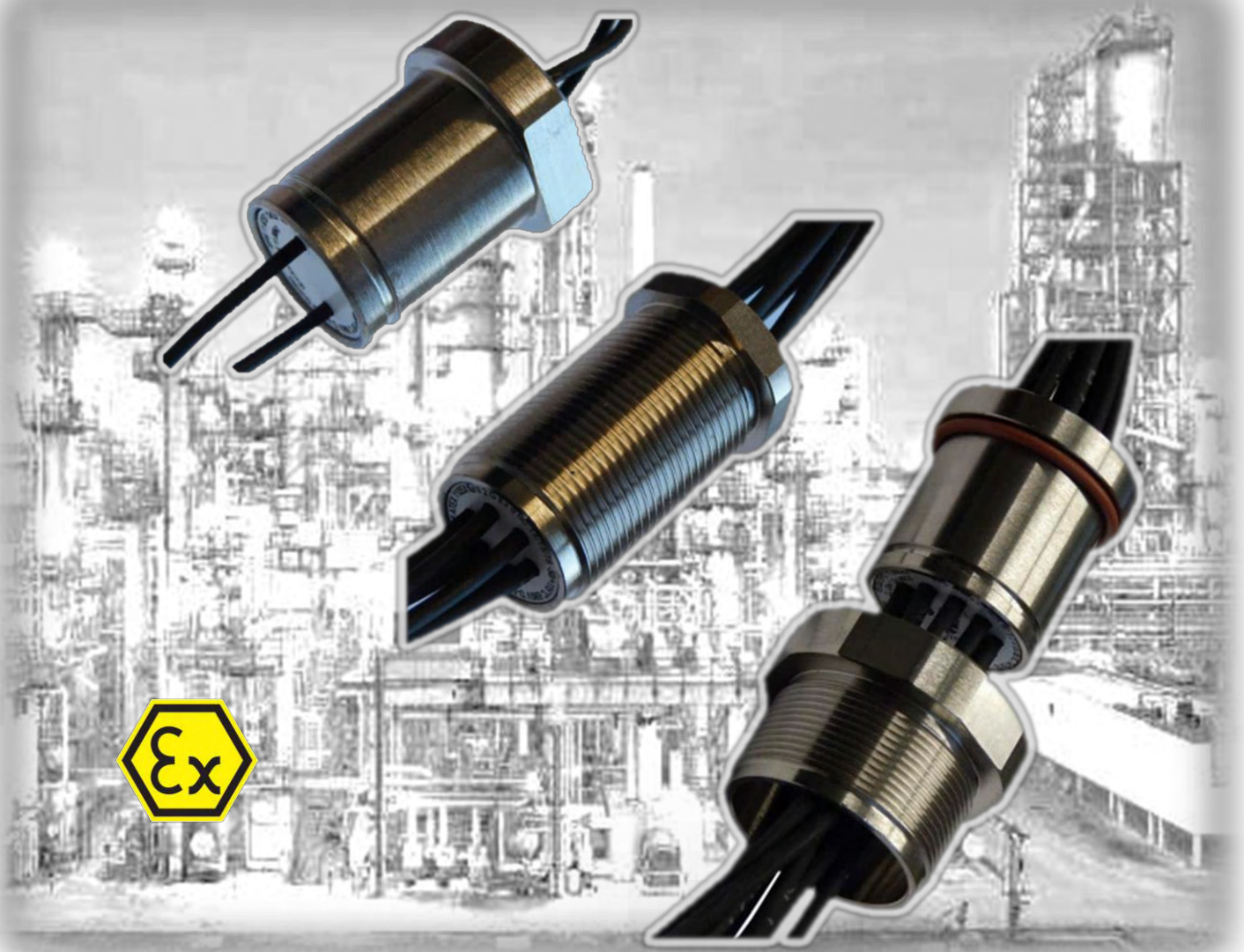


Experts for your systems

---

## Line bushings

---



- Quality • Reliability • Delivery reliability
- Our knowledge for your application



### **Proviso**

We reserve the right to make technical changes without notification. Changes, omissions, and literal errors do not justify any claim for damage compensation. For security components and systems, the relevant standards, as well as the relevant operating and assembly instructions shall be followed.

Quintex Product Catalogue Line bushings

Version: V1.03



- Wide temperature range
- Ready to use
- Many international approvals
- No re-certification required

## Description

Line bushings are used to electrically connect equipment in potentially explosive atmospheres. The connection is always made between a flameproof enclosure (Ex-d) and an enclosure with a different type of protection in accordance with IEC/EN 60079-0.

Alternatively, two flameproof enclosures are connected. Therefore the cables are protected from direct contact.

Depending on the design, line bushings can be used for intrinsically safe, measurement, control or power circuits, or combinations of the above.

All line bushings are cast with high temperature and leakage current resistant resin to insulate them from the enclosure.



## Applications

- Ex-d enclosures, housings or Pumps
- Sensors, measurement devices, motors, actuators, pneumatic and hydraulic devices, etc.
- Used on Sea-platforms, Drilling Rigs, rolling mills, gas tanks, climatic chambers, compactors, etc.

## Marking

- ⊕ II 2G Ex db IIC T4/T5/T6
- ⊕ II 2D Ex db IIIC T135°/T100°C/T85°C
- ⊕ I M2 Ex d I Mb

## Certificates

ATEX  
 IECEx / mining  
 EAC TC-RU (GOST)  
 CSA UL  
 FM

## Technical Data

Voltage:	440V, 690V, 1000V, 3000V (depending on model type)
Conductor sizes:	0,08mm <sup>2</sup> to 185mm <sup>2</sup>
Temperature range:	-55°C...+115°C (depending on model type)
Max. conductor quantity:	50 strands
Bushing diameter:	Ø10mm to Ø40mm
Plug length:	> 10mm
Bushing material:	Nickel-plated Brass (other materials on request)
Standard cable material:	RADOX 125 (other materials on request)

*Special applications on request, please contact us to discuss your requirements.*



- Wide temperature range
- Many international approvals
- Ready to use
- No re-certification required

## Beschreibung

Line bushings are used to electrically connect equipment in potentially explosive atmospheres. The connection is always made between a flameproof enclosure (Ex-d) and an enclosure with a different type of protection in accordance with IEC/EN 60079-0.

Alternatively, two flameproof enclosures are connected. Therefore the cables are protected from direct contact.

Depending on the design, line bushings can be used for intrinsically safe, measurement, control or power circuits, or combinations of the above.

All line bushings are cast with high temperature and leakage current resistant resin to insulate them from the enclosure.



## Applications

- Ex-d enclosures and Pumps
- Sensors, measurement devices, motors, actuators, pneumatic and hydraulic devices, etc.
- Used on Sea-platforms, Drilling Rigs, rolling mills, gas tanks, climatic chambers, compactors, etc.

## Marking

- Ex II 2G Ex db IIC T4/T5/T6
- Ex II 2D Ex db IIIC T135°C/T100°C/T85°C
- Ex I M2 Ex d I Mb

## Certificates

ATEX  
 IECEx / mining  
 EAC TC-RU (GOST)  
 CSA UL  
 FM

## Technical Data

Voltage:	440V, 690V, 1000V, 3000V (depending on model type)
Conductor sizes:	0,08mm <sup>2</sup> to 185mm <sup>2</sup>
Temperature range:	-55°C...+115°C (depending on model type)
Max. conductor quantity:	50 strands
Thread size:	M10 to M42
Thread length:	> 10mm
Material of bushing:	Nickel-plated Brass (other materials on request)
Standard wire material:	RADOX 125 (other materials on request)

*Special applications on request, please contact us to discuss your requirements.*

Ex approved line bushing

2-path

General Data



- Wide temperature range
- Easy installation
- Ready to use
- Many international approvals
- Easily inter-changeable
- No re-certification required

### Description:

Line bushings are used to electrically connect equipment in potentially explosive atmospheres. The connection is always established either between a flameproof enclosure (Ex-d) and an enclosure of another type of protection in accordance with IEC/EN 60079-0. Alternatively, two flameproof enclosures are connected. Thus cables are protected from direct contact.

The 2-path line bushing simplifies your installation application by means of the rotating adapter.

All line bushings are cast with high temperature and leakage current resistant resin to insulate them from the enclosure.



### Applications

- Ex-d enclosures and Pumps
- Sensors, measurement devices, motors, actuators, pneumatic and hydraulic devices, etc.
- Used on Sea-platforms, Drilling Rigs, rolling mills, gas tanks, climatic chambers, compactors, etc.

### Marking

- ⊕ II 2G Ex db IIC T4/T5/T6
- ⊕ II 2D Ex db IIIC T135°/T100°/T85°C
- ⊕ I M2 Ex d I Mb

### Certificates

ATEX  
 IECEx / mining  
 EAC TC-RU (GOST)  
 CSA UL  
 FM

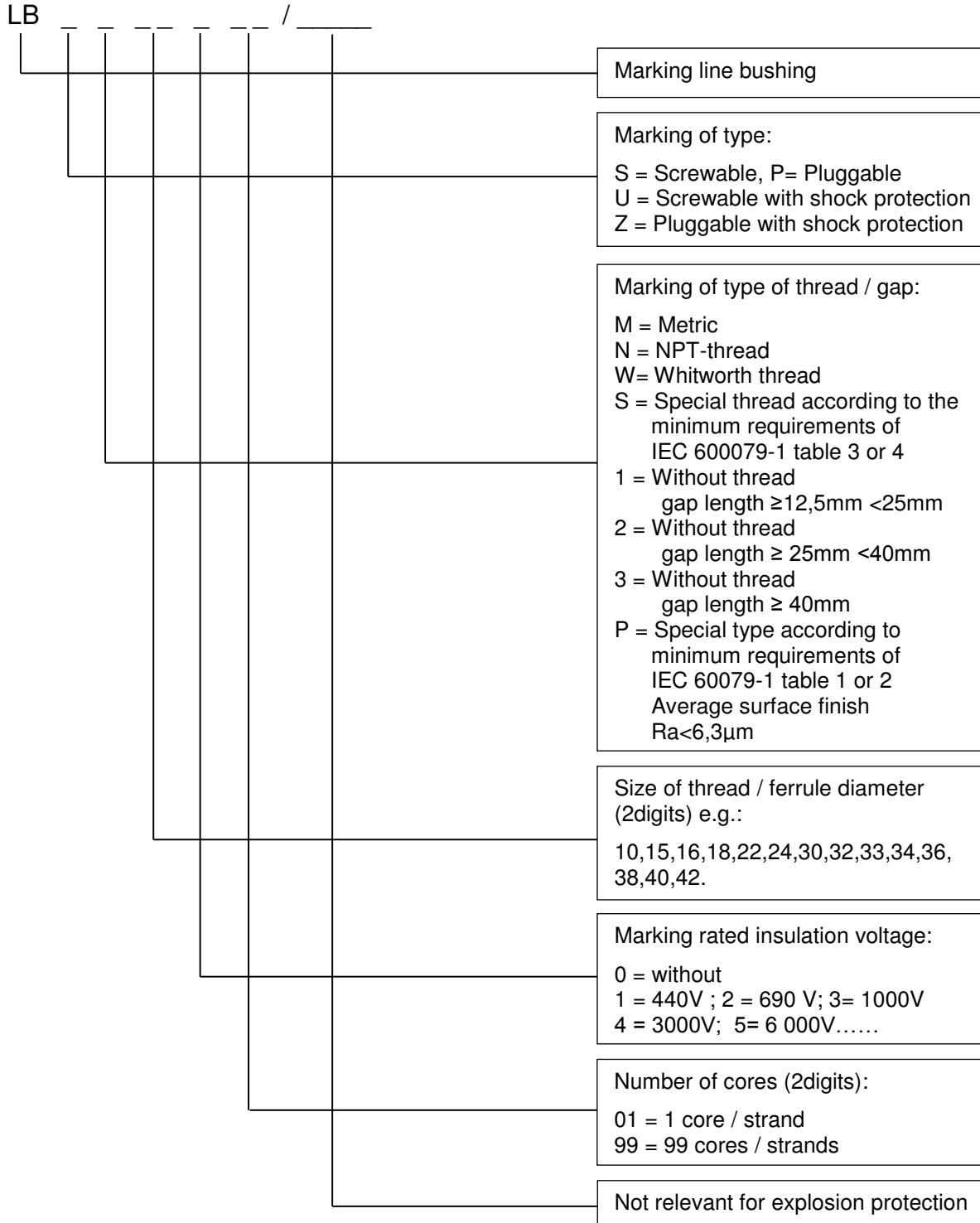
### Technical Data

Voltage:	440V, 690V, 1000V, 3000V (depending on model type)
Conductor sizes:	0,08mm <sup>2</sup> to 185mm <sup>2</sup>
Temperature range:	-55°C...+115°C (depending on model type)
Max. conductor quantity:	50 strands
Thread size (Adapter):	M14 to M42
Thread length:	> 10mm
Material of bushing:	Nickel-plated Brass (other materials on request)
Standard wire material:	RADOX 125 (other materials on request)

*Special applications on request, please contact us to discuss your requirements.*



## Type code



Ex approved line bushing

General data

number of cores / strands with Radox 125



## Number of cores / strands for threaded sleeve

mm <sup>2</sup>	0,25	0,34	0,5	0,75	1	1,5	2,5	4	6	10	16	25	35	50	70	95	120	150	185
AWG	24	22	20	18	17	16	14	12	10	8	6	4	2	1	2/0	3/0	4/0	5/0	6/0
∅ core in mm	1,5	1,65	1,8	2,3	2,7	2,8	3,45	4,2	5,1	6,3	7,5	9,1	10,5	12,35	14,65	16,3	18,4	20,8	22,5
Distance	1	1	1	1	1	1	1	1	1	1	1	1	1	1	1	1,5	1,5	1,5	1,5
SW12 M10	2	2	1	1	1	1	1	1	0	0	0	0	0	0	0	0	0	0	0
SW14 M12	4	3	3	3	1	1	1	1	1	0	0	0	0	0	0	0	0	0	0
SW19/21 M16	9	9	8	7	5	4	3	1	1	1	1	0	0	0	0	0	0	0	0
SW24 M20	17	15	14	10	8	8	5	4	3	1	1	1	1	0	0	0	0	0	0
SW27 M24	29	25	23	19	14	14	9	8	5	3	2	1	1	1	1	1	0	0	0
SW27 M25	29	25	23	19	14	14	9	8	5	3	2	1	1	1	1	1	0	0	0
SW32 M30	50	46	40	32	23	23	19	13	9	7	5	3	2	1	1	1	1	1	0
SW36 M32	50	50	50	34	29	26	21	14	10	7	5	4	3	1	1	1	1	1	0
SW36 M33	50	50	50	41	32	32	22	17	13	8	7	4	3	1	1	1	1	1	0
SW41 M36	50	50	50	46	37	37	25	20	15	9	7	5	4	2	1	1	1	1	1
SW41 M38	50	50	50	46	37	37	25	20	15	9	7	5	4	2	1	1	1	1	1
SW42 M40	50	50	50	50	47	47	32	25	20	13	9	7	5	3	2	1	1	1	1
SW46 M42	50	50	50	50	50	50	37	29	22	15	10	8	5	4	2	1	1	1	1

## Number of cores / strands for pluggable sleeve

mm <sup>2</sup>	0,25	0,34	0,5	0,75	1	1,5	2,5	4	6	10	16	25	35	50	70	95	120	150	185
AWG	24	22	20	18	17	16	14	12	10	8	6	4	2	1	2/0	3/0	4/0	5/0	6/0
∅ core in mm	1,5	1,65	1,8	2,3	2,7	2,8	3,45	4,2	5,1	6,3	7,5	9,1	10,5	12,35	14,65	16,3	18,4	20,8	22,5
Distance	1	1	1	1	1	1	1	1	1	1	1	1	1	1	1	1,5	1,5	1,5	1,5
∅10	2	2	1	1	1	1	1	1	0	0	0	0	0	0	0	0	0	0	0
∅12	4	3	3	3	1	1	1	1	1	0	0	0	0	0	0	0	0	0	0
∅16	9	9	8	7	5	4	3	1	1	1	0	0	0	0	0	0	0	0	0
∅19	17	15	14	10	8	8	5	4	3	1	1	1	1	0	0	0	0	0	0
∅22	29	25	23	19	14	14	9	8	5	3	2	1	1	1	1	1	0	0	0
∅30	50	46	40	32	23	23	19	13	9	7	5	3	2	1	1	1	1	1	0
∅32	50	50	50	34	29	26	21	14	10	7	5	4	3	1	1	1	1	1	0
∅34	50	50	50	41	32	32	22	17	13	8	7	4	3	1	1	1	1	1	0
∅36	50	50	50	46	37	37	25	20	15	9	7	5	4	2	1	1	1	1	1
∅40	50	50	50	50	47	47	32	25	20	13	9	7	5	3	2	1	1	1	1

## Number of cores / strands for 2-path line bushing

mm <sup>2</sup>	0,25	0,34	0,5	0,75	1	1,5	2,5	4	6	10	16	25	35	50	70	95	120	150	185
AWG	24	22	20	18	17	16	14	12	10	8	6	4	2	1	2/0	3/0	4/0	5/0	6/0
∅ core in mm	1,5	1,65	1,8	2,3	2,7	2,8	3,45	4,2	5,1	6,3	7,5	9,1	10,5	12,35	14,65	16,3	18,4	20,8	22,5
Distance	1	1	1	1	1	1	1	1	1	1	1	1	1	1	1	1,5	1,5	1,5	1,5
M14 ∅10	2	2	1	1	1	1	1	1	0	0	0	0	0	0	0	0	0	0	0
M16 ∅12	4	3	3	3	1	1	1	1	1	0	0	0	0	0	0	0	0	0	0
M20 ∅16	9	9	8	7	5	4	3	1	1	1	0	0	0	0	0	0	0	0	0
M24/M25 ∅19	17	15	14	10	8	8	5	4	3	1	1	1	1	0	0	0	0	0	0
M30/M32 ∅22	29	25	23	19	14	14	9	8	5	3	2	1	1	1	1	1	0	0	0
M36 ∅30	50	46	40	32	23	23	19	13	9	7	5	3	2	1	1	1	1	1	0
M38 ∅32	50	50	50	34	29	26	21	14	10	7	5	4	3	1	1	1	1	1	0
M40 ∅34	50	50	50	41	32	32	22	17	13	8	7	4	3	1	1	1	1	1	0
M42 ∅36	50	50	50	46	37	37	25	20	15	9	7	5	4	2	1	1	1	1	1



Ex approved line bushing  
 strands / cable selection

General Data



Cable type	Description	Temperature range
Radox 125	single core	-55°C...+115°C
Radox 155	single core	-55°C...+100°C
Radox UL 3271 / 3266	single core	-55°C...+115°C
Betatherm 145	single core	-55°C...+115°C
Betatherm UL 3271 / 3266	single core	-55°C...+115°C
H05V-K / H07V-K	single core	-30°C...+80°C
H05G-K / H07G-K	single core	-40°C...+110°C
Balzertherm 110HX	single core	-40°C...+110°C
NSGAFÖU	single core	-40°C...+80°C
Metrofunk Kabelunion Typ 0,09mm <sup>2</sup>	single core	-40°C...+105°C
Helutherm A 145	single core	-55°C...+115°C
FBL Typ 14x0,08mm <sup>2</sup>	ribbon cable	-20°C...+105°C
Radox 125	multi core	-55°C...+115°C
special cable 2xAWG28/7	multi core	-55°C...+105°C
H07RN-F	multi core	-30°C...+60°C
CAN BUS	multi core	-40°C...+70°C
UNITRONIC BUS CAN	multi core	-30°C...+80°C
ÖLFLEX CLASSIC 110 CY	multi core	-40°C...+80°C
ÖLFLEX FD90	multi core	-40°C...+90°C
F-CY-JZ / F-CY-OZ	multi core	-40°C...+80°C
JZ-500	multi core	-40°C...+80°C
JZ-500 HMH-C	multi core	-40°C...+70°C
JZ-500 PUR	multi core	-40°C...+80°C
JZ-600-Y-CY	multi core	-40°C...+80°C
PAAR-TRONIC-CY	multi core	-30°C...+80°C
SUPER-PAAR-TRONIC	multi core	-40°C...+80°C
Dätwyler patch cord	multi core	-20°C...+60°C
HELUKAT 100 UTP, LAN Kabel, Cat. 5	multi core	-20°C...+60°C
HELUKAT 100S, Ethernet, Cat. 5e	multi core	-40°C...+80°C
HELUKAT 200IND, Ethernet, Cat. 5e	multi core	-40°C...+80°C
HELUKAT 500IND, Ethernet, Cat. 6a	multi core	-40°C...+70°C
HELUKAT 600IND, Ethernet, Cat. 7e	multi core	-40°C...+80°C
RG174	coaxial cable	-35°C...+80°C
RG178	coaxial cable	-55°C...+115°C
RG213	coaxial cable	-35°C...+80°C
RG316	coaxial cable	-55°C...+115°C
G50/CWJH (multimode)	fibre optic cable	-20°C...+70°C
G62,5/CWJH (multimode)	fibre optic cable	-20°C...+70°C
E9/CWJH E30 (singlemode)	fibre optic cable	-20°C...+70°C
Radox FO (multimode + singlemode)	fibre optic cable	-55°C...+85°C

*Other strands / cables available on request. Please contact us to discuss your requirements.*

Ex approved line bushings

Bespoke applications

General Data



- Wide temperature range
- Ready to use
- Many international approvals
- No re-certification required

## Description

Bespoke applications available.

You need a specific cable or wire type?  
 You need specific bushings dimensions?  
 Please ask us. It is our pleasure to help you.

Preview examples indicated below:



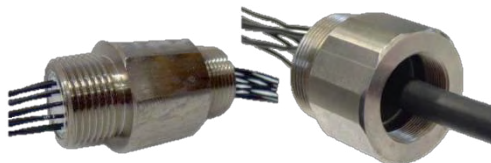
Fibre optic cables  
 → singlemode  
 → multimode



Ethernet cable  
 Patch cable / cores / lead



Swivel gland (angle of rotation 270°)



Line bushing with thread at both ends  
 → male and female thread  
 → male/male or female/female  
 → left or right-hand thread



Line bushing with slip ring  
 (angle of rotation >360°)

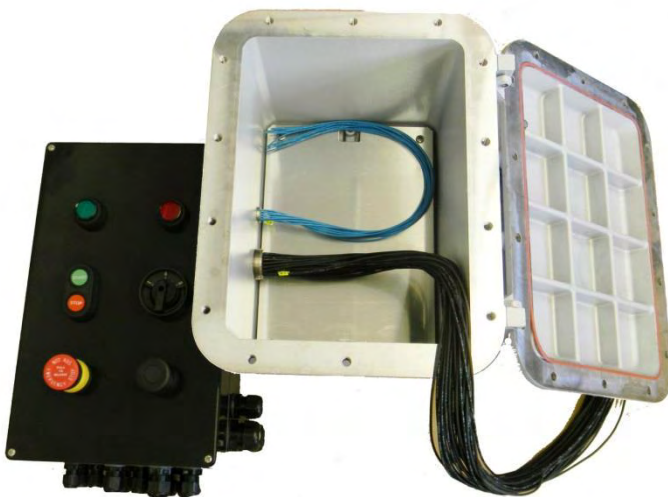
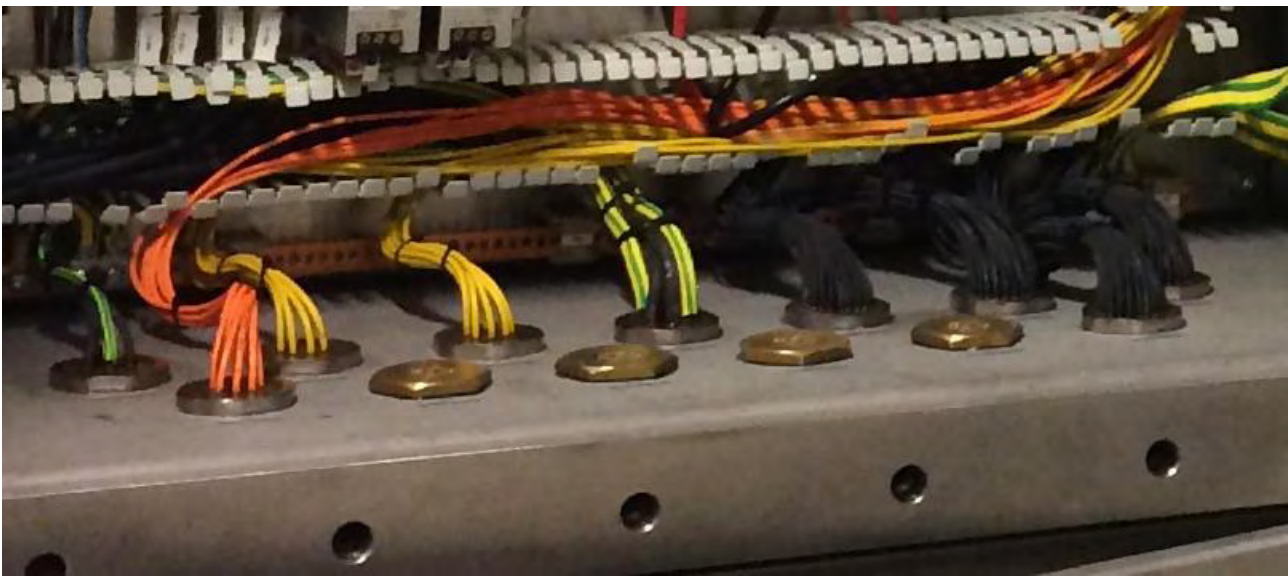
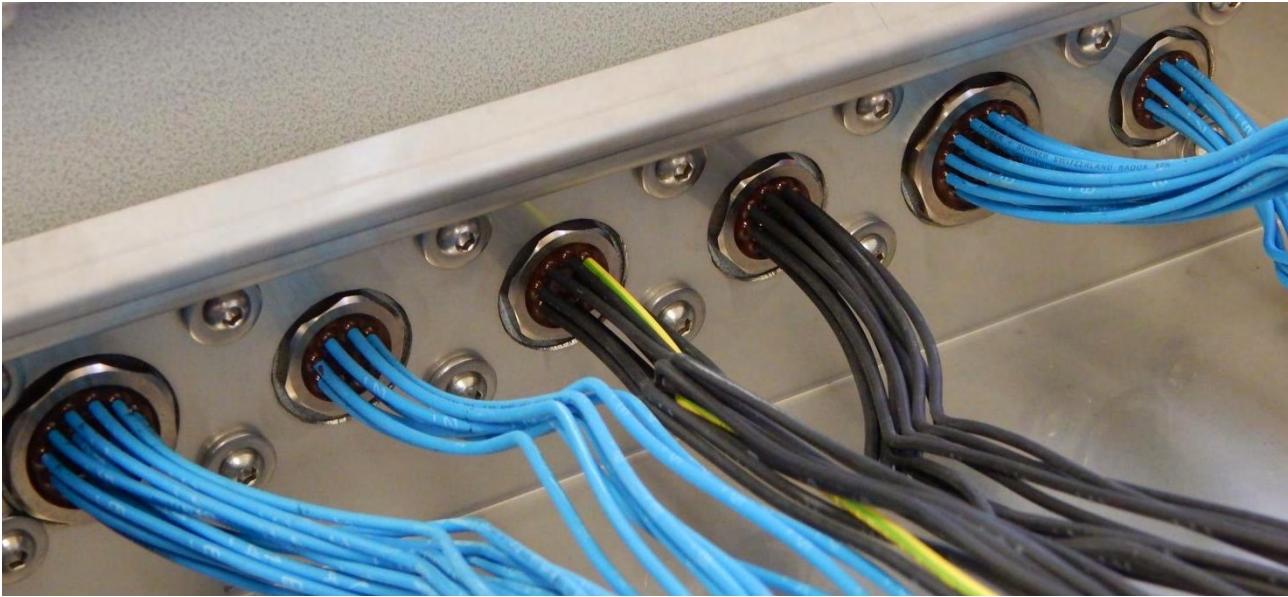


Line bushings with cable ends terminated

Ex approved line bushings

General Data

Typical applications





- Wide temperature range
- Light weight item
- Ready to use, readily available
- Many international approvals
- All variations possible
- No re-certification required

### Description

Blind plugs are used to seal off open entries of an enclosure, whether they be clearance holes or threaded.

They are inserted in place of an approved cable gland to ensure the enclosure is fully sealed in potentially explosive atmospheres.

All blind plugs are formed in threaded or pluggable formats.

Special applications are possible (thread on both sides, NPT thread, etc.).



### Applications

- Ex d enclosures, housings or Pumps
- Sensors, measurement devices, motors, actuators, pneumatic and hydraulic devices, etc.
- Used on Sea-platforms, Drilling Rigs, rolling mills, gas tanks, climatic chambers, compactors, etc.

### Markings

- II 2G Ex db IIC T4/T5/T6
- II 2D Ex db IIIC T135°/T100°C/T85°C
- I M2 Ex d I Mb

### Certificates

ATEX  
IECEX / mining  
EAC TC-RU (GOST)  
CSA UL  
FM

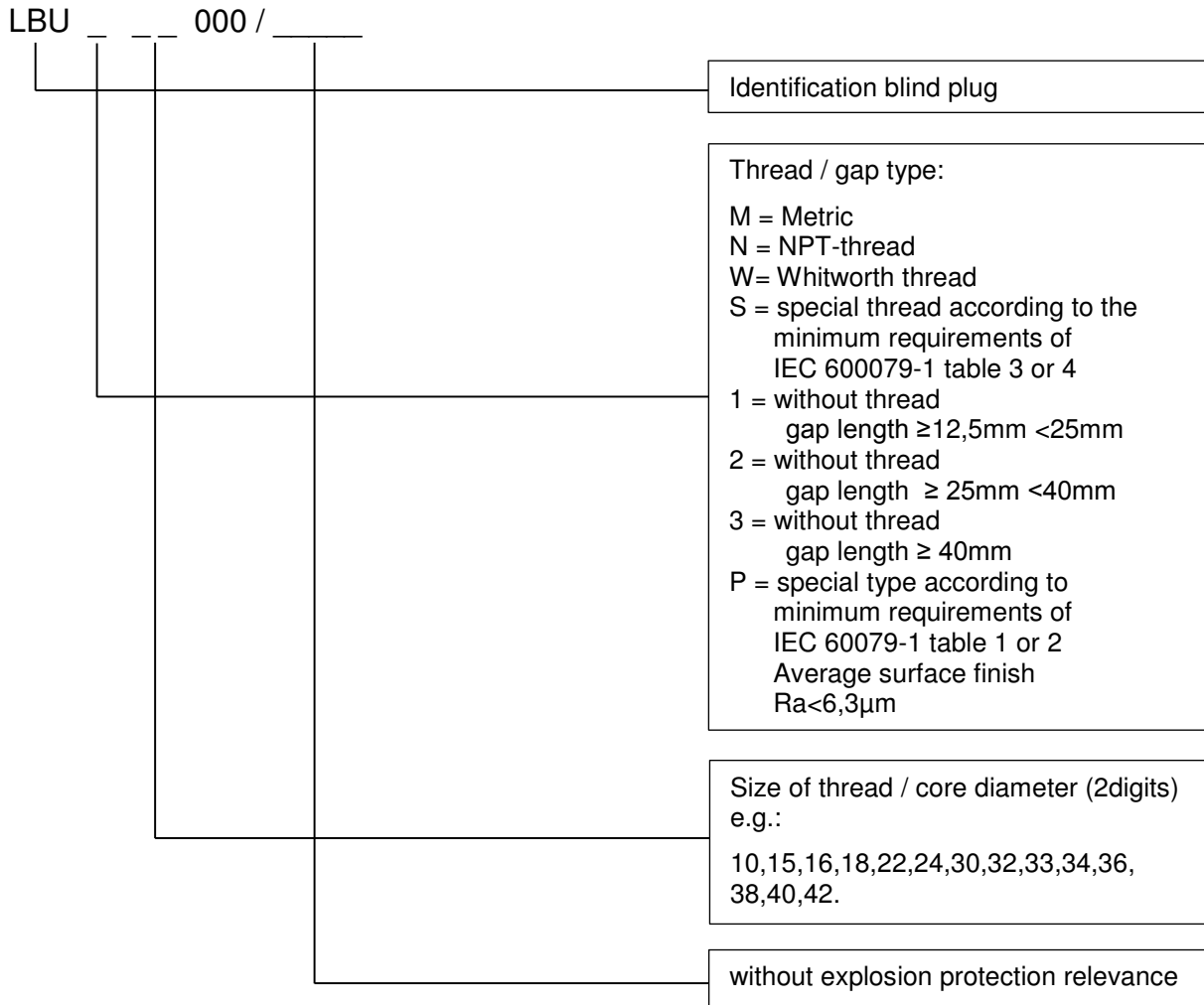
### Technical Data

- Temperature range: -55°C...+115°C
- Thread / bushing size: M10 to M42  
Ø10mm to Ø40mm  
(other applications on request)
- Thread / plug length: > 10mm
- Bushing material: Nickel-plated Brass  
(other materials on request)

*Special applications on request, please contact us to discuss your requirements.*



## Type code





[www.quintex.eu](http://www.quintex.eu)

online calculation

**QUINT Ex** HOME ABOUT US PRODUCTS ONLINE CALCULATIONS CONTACT

Line Bushings  
Ex Pre Assembled Circuits

**flange side** **threaded side**

selection: 1,5 AWG 16  
strand size: Strands size 1  
input strands length: 600  
number of strands: 10

strand size	Length flange side [mm]	Length threaded side [mm]	Quantity of strands
1,5 AWG 16 (Strands size 1)	600	600	10
0,25 AWG 24 (Strands size 2)			
0,25 AWG 24 (Strands size 3)			
0,25 AWG 24 (Strands size 4)			

different strand size required

Find the right size  shows the min. bushing size or choose one

selected bushing: **M24**

If you choose a smaller thread size as calculated we must check your selection at Quintex

Needed quantity:  number of strands

Registered name:  Your password:  registration possible

Calculation possible without registration

Your price will be shown on a new (printer friendly) page

**Price calculation of line bushings**  
all prices in Euro excl. VAT, ex works.  
Article-Number: LBSM24210/  
line bushing with: M24  
Quantity: 1 e.a. Total: 39.18  
10 wires/cable size 1,5 AWG 16  
flange side: 600 mm long  
threaded side: 600 mm long  
Wire material: Radox 125, black numbered

your calculated price

thread material: brass nickel plated  
temperature range: -50°C bis +115°C  
approval: EPS 11 ATEX 1342 X (and FM, GOST, CSA, IECEx)

order  inquiry  check your choice please

first name:  name:   
company:  dept.:   
Zip/ City:  street:   
Phone:  fax:   
Email:   
remarks:

If you order through your purchase department use this sheet as an appendix please

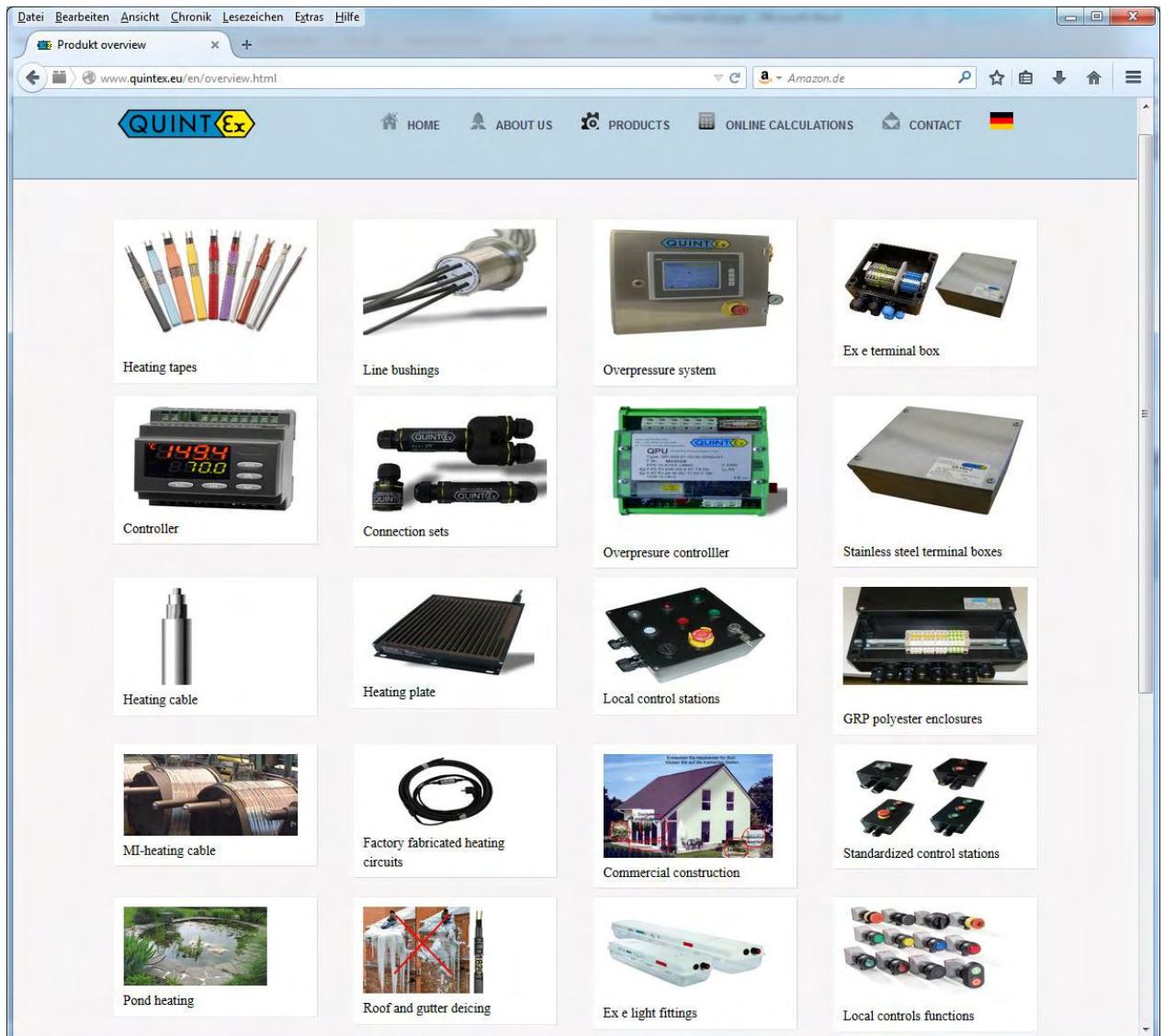
Quintex GmbH, D-97922 Lauda-Königshofen, Germany, Phone: +49 (0) 9343 6130 0, Fax: +49 (0) 9343 6130 105

More information please find video tutorial on youtube:

[Quintex GmbH, how to configure and order Ex d line bushings](#)

Please visit our Webpage to see the latest information about Quintex

If you need quick help, please use our online chat.  
 Free of charge and easy to use



Experts for your Systems

---

## Ex Overpressure 2.0

---



- Quality • Reliability • Punctuality
- Our knowledge for your application



**Proviso**

We reserve the right to make technical changes. Changes, errors and literal errors do not Justify any claim for damage compensation. For security components and systems, the Relevant standards, as well as the relevant operating and assembly instructions have to be followed.

# QUINGUARD®

## Modular Components Overview



# Pressure controller QUINGUARD®

Erfahrung ist Zukunft



Patented and ATEX approved Overpressure controller for Overpressure systems

Overpressure



- No flushing necessary
- Installation inside the Ex e enclosure
- DIN rail mounting
- Easy operation without programming
- Low price operation
- Cost saving

## Description

The newly developed pressure switch unit QUINGUARD® allows the use of non-ex components directly in zone 1 / 21 or 2/22 in connection with a pressurized enclosure. It is used for switching services. With an approved gas detector the control cabinet measure free. The QUINGUARD® will powered and pressurized the control cabinet. After reaching the pressure the build ins switched on. Then the QUINGUARD® controls the inner pressure inside of the control cabinet. If the pressure drops down under the internal pressure level all connected electric consumers in zone 1 switched off.

Only an alarm will be created by an Zone 2 application.



## Possible Application

- Enclosure with HMI's
- Enclosure in all different sizes
- Analyzer
- Fill-up system
- Dosing system
- Painting system
- Temperature control units

## Technical Data:

Dimension (mm):	125 x 104 x 58,5mm
Fixing:	mounted in profile rail mounting TS 35
Ambient temperature:	-25°C bis +70°C
Switching capacity:	max. 5 A (AC or DC)
Monitored pressure:	5 mbar

## Certificates

ATEX, GOST TC-RU

## Marking

Pressure controller:

Ex II 2G / II 2D

Pressure controller System (in enclosure):

Ex II 2G / II 2D

## Power:

DC 24 Volt

AC 115 Volt 50/60 Hz

AC 230 Volt 50/60 Hz

# QUINGUARD<sup>®</sup> Valve module

Compensates leakage automatically in overpressure enclosures



Overpressure



- Compatible to the Pressure controller
- Installation inside the Ex e enclosure
- DIN rail mounting
- Easy operation without programming
- Compensates leakage automatically
- Digital valves automatically controlled

## Description

The valve module is connected to the pressure switch modular unit and may only be used together with it.

The valve module has two pressure switches which operate at different pressures. The pressure switches are based on the same measurement principle as well as the pressure switch on the unit, with the differential pressure measurement. This means they must be connected to the same pressure as the reference pressure monitor unit.

An adjustable pressure is reached in the case of a pressure switch to a digital valve. Then the internal pressure rises. The second button is to switch off the digital valve, also via an adjustable value. A leak is through this start and stop from the digital valve balancing operates independently of modified leaks.



## Possible Application

- Enclosure with HMI's
- Enclosure in all different sizes
- Analyzer
- Fill-up system
- Dosing system
- Painting system
- Temperature control units

## Technical Data:

Dimension (mm):	125 x 104 x 58,5mm
Fixing:	mounted in profile rail mounting TS 35
Ambient temperature:	-25°C up to +70°C
Valve opens:	7 mbar
Valve closed:	9 mbar

## Certificates

Without any certification – only allowed together with the pressure controller

## Marking

Without marking

## Power supply:

DC 24 Volt

AC 115 Volt 50/60 Hz

AC 230 Volt 50/60 Hz

# QUINGUARD® Interface module

Erfahrung ist Zukunft



Interface to separate active cables like RJ45, USB or directly via terminal

Overpressure



- Compatible to the Pressure controller
- Installation inside the Ex e enclosure
- DIN rail mounting
- Easy operation without programming
- Shut off active datalines within the enclosure in the event off pressure lost

## Description

Data lines leading into a Ex p cabinet, must be switched off in the event of lost pressure; this is the task of this interface module. The interface module has 4 normally open contacts which are used for switching on or off of 4-wire data line. On the input side of this interface module is equipped with a 5-contact cage clamp provided to maintain the necessary clearances. At this point the input cable must be separated. For the output side currently there are three connection types available:

- one USB 2.0, an
- RJ45 Ethernet 10/100Mbps
- 5-pole pluggable terminal block

The control of the interface module is done via the pressure control unit QUINGUARD® and may only be used in conjunction with this.



## Possible Application

- Enclosure with HMI's
- Industrial PC's
- Analyzersystems
- Active datalines
- Interface signals

## Certificates

Without any certification – only allowed together with the pressure controller

## Marking

Without marking

## Technical Data:

Dimension (mm):	107 x 73 x 20mm
Fixing:	mounted in profile rail mounting TS 35
Ambient temperature:	-25°C to +70°C
Incoming side:	Ex e cage terminals
Outgoing side:	RJ45, USB, Terminal

## Power supply:

DC	24 Volts
AC	115 Volts 50/60 Hz
AC	230 Volts 50/60 Hz

## Switching capacity:

Max. 2,5 A / max. 50 V

# Pressure regulator PRE

Regulate the input pressure to a constant working pressure

Overpressure



- Diaphragm pressure regulator
- Input pressure of max. 18 bar
- Temperature range -30°C to +80°C
- Suitable for compressed air and non-flammable gases
- Can be carried by the customer and structure

## Description:

Pressure regulators have the task to limit the set operating pressure of an application upwards and as well as possible to compensate for pressure fluctuations.

There are lesser, between two versions of pressure adjustable via a hand wheel or fixed versions.

The adjustable pressure regulators have a pressure gauge on the set value can be read. A locking nut prevents that the pressure value can be changed unintentionally. The regulator mounting position is arbitrary. The flow direction is marked with an arrow.



## Possible Application

- Enclosure with HMI's
- Enclosure in all different sizes
- Analyzer
- Fill-up system
- Dosing system
- Painting system
- Temperature control units

## Marking

CE Declaration

## Technical Data:

Dimension (mm):	see second page
Pressure range:	0,5-18 bar
Ambient temperature:	0°C to +80°C (-30°C as option)
Flow rate:	310...5000l/min
Material:	Zinc die-cast

# Pressure regulator PRE

Regulate the input pressure to a constant working pressure



Overpressure



Characteristics of the single pressure reducer

Ordernr.	Connection-thread	Flow range	Pressure-range	Pressure-gauge	Dimension in mm		
					H	H1	T
PRE 1	G 1/4"	1000 l/min	0,1 - 3 bar	0 - 6 bar	132	32	54
PRE 2	G 3/8"	1000 l/min	0,2 - 6 bar	0 - 6 bar	132	32	54
PRE 3	G 3/8"	2100 l/min	0,2 - 6 bar	0 - 6 bar	151	33	70
PRE 4	G 1/2"	2100 l/min	0,2 - 6 bar	0 - 6 bar	151	33	70
PRE 5	G 1/2"	5000 l/min	0,5 - 10 bar	0 - 6 bar	163	33	82

## INLINE – Pressure regulator

The inline regulator is characterized that they at a maximum input pressure exhibit of 18 bar, a factory fixed pressure range, which is not manipulated. The inline pressure regulator are available with different pressure ranges to the Available.

Ordernr.	Connection-thread	Flow range	Pressure-range	Pressure-gauge	Dimension in mm	
					L	Ø
PRE 14-1	G 1/4"	800 l/min	1 bar	0 - 6 bar	52	34
PRE 14-2	G 1/4"	800 l/min	2 bar	0 - 6 bar	52	34
PRE 14-3	G 1/4"	800 l/min	3 bar	0 - 6 bar	52	34
PRE 14-4	G 1/4"	800 l/min	4 bar	0 - 6 bar	52	34

## Technical data

See above table dimensions (mm)

Pressure range: set default 1-4 bar

Installation position: any

Flow rate: 800 l / min

Housing material: zinc die-cast

Sealing material: NBR

# Contactors SC

Patented and ATEX certified contactors for direct use in Pressurized cabinets



Overpressure



- No additional enclosure necessary
- Approved for use in Zone 1/21 and 2/22
- Switching capacity up to 540KW/1000A
- Easy operation without programming
- Screw or cage clamp terminals
- Turning on and setting up can be done by the customer

## Description

The contactor of series SC used for switching service in a hazardous area. The contactors are already partly with auxiliary contact 3 pole or 4 pole. There are also optional auxiliary contacts available which can be used as switching control in a control room.

With 8 sizes, the SC covers the performance range up to 1000A. The power contactors feature box terminals with two terminal chambers to the SC 45/90. Thus, different conductor cross-sections can be safely wired. From SC 54/102, the wiring of terminals is performed.

Until SC 9/19 an auxiliary contact is present as standard. For the other sizes there is also an extensive range of auxiliary switches available. The SC contactors can be used also by other types of protection, e.g. Ex d. The advantage of this is the open under Power supply without having to unplug the contactor, a main switch is no longer required.



## Possible Application

- Enclosure with high performance switching
- Use as Main switch

## Technical data:

Dimension (mm): see Page 2  
Mounting position: vertical  
Ambient temperature: -25°C to +60°C

## Certificates

ATEX, GOST TC-RU

## Marking

Ex II 2G / II2D Ex se IIC

## Coil voltage:

DC 24 Volt

AC 115 Volts 50/60 Hz

AC 230 Volts 50/60 Hz

## Rating voltage:

AC-1/ AC-3 230 – 400 V



# Contactor SC

Patented and ATEX certified contactors for direct use in Pressurized cabinets



Overpressure



## Characteristics of the individual contactors SC

QUINTEX Types	Rated power in KW	Rated current in Amps	Dimension W x B x D in mm
SC4,5/11	4,5	11	2 ( 45x85x97,4 )
SC6,5/15	6,5	15	2 ( 45x85x97,4 )
SC9/19	9	19	2 ( 45x85x97,4 )
SC11/24	11	24	3 ( 55x115x132,1 )
SC13/30	13	30	3 ( 55x115x132,1 )
SC18/39	18	39	3 ( 55x115x132,1 )
SC22/48	22	48	4 ( 90x170x160 )
SC27/57	27	57	4 ( 90x170x160 )
SC33/69	33	69	4 ( 90x170x160 )
SC45/90	45	90	4 ( 90x170x160 )
SC54/102	54	102	4 ( 90x170x160 )
SC54/110	54	110	5 ( 140x180x208 )
SC66/135	66	135	5 ( 140x180x208 )
SC80/150	80	150	5 ( 140x180x208 )
SC96/180	96	180	6 ( 160x200x216 )
SC120/240	120	240	6 ( 160x200x216 )
SC150/300	150	300	6 ( 160x200x216 )
SC190/350	190	350	7 ( 250x286x232 )
SC213/390	213	390	7 ( 250x286x232 )
SC240/450	240	450	8 ( 250x296x232 )
SC270/500	270	500	8 ( 250x296x232 )
SC336/600	336	600	8 ( 250x296x232 )
SC540/1000	540	1000	9 ( 515x392x252 )

# QUINGUARD®

## PC Execution PPG and TPG



# PPG Pressure Panel Guard



Patented and ATEX approved Overpressure PC enclosure  
Prepared for build in an Non Ex PC or TFT

Overpressure



- No flushing necessary
- Approved Ex e enclosure
- Economic operation
- Customized enclosure variations possible
- Stainless steel keyboard integrated
- Use of standard non Ex PC or TFT

## Description

QUINTEX offers a Ex px PC cabinet in different sizes and designs. All systems are available for hazardous areas (Zones 2/22 or 1/21) in the pressurization protection. Depending on the specific application different performance PC's can be used. Here are options all possible. Mounting configurations are available as a support arm or pedestal. Different keyboards are available with mouse pad or trackball. To perform data connections from the outside into the cabinet, up to three interface modules with different interfaces are usable. To minimize the air consumption a valve module with pressure-controlled leakage compensation is used. The Ex Quintex PC system works without purging, and is thus ready for use immediately after release by gas detection. The elimination of flushing time and pressurized air makes the operation very economical. The clearance measurements made with commercial gas detectors are available as portable or stationary versions.



## Possible Application

- Use with Standard PC or TFT
- Use as remote HMI

## Technical data:

Dimension (mm): 540\*650\*440 (20")

Ambient temperature: -20°C up to +70°C

Switching capacity: max. 5 A (without Contactor SC)

## Certificates

ATEX, GOST TC-RU

## Marking

Pressure controller system:

Ex II 2G / II D

## Power supply:

DC 24 Volt

AC 115 Volt 50/60 Hz

AC 230 Volt 50/60 Hz

## Order data:

Mild steel painted: PPG-S01 (20")  
Stainless steel 1.4301, 304L PPG-V01 (20")  
Stainless Steel 1.4401, 316L PPG-W01 (20")

# PPG Pressure Panel Guard

Patented and ATEX approved Overpressure PC enclosure  
Prepared for build in an Non Ex PC or TFT



Overpressure



## PPG V01 set up with:

- Enclosure with window 20" from LSG
- Stepped keyboard with Mousepad

### Ex system made of:

- QUINGUARD® controller
- Valvemodule with digital valve
- **1x Interfacemodule** for data separation
- Ex e push button to switch on manually

## PPG V02 set up with:

- Enclosure with window 20" from LSG
- Stepped keyboard with Mousepad

### Ex system made of:

- QUINGUARD® controller
- Valvemodule with digital valve
- **1x Interfacemodule** for data separation
- Ex e push button to switch on manually
- **Portable gas detector** with charging station within the cabinet

## PPG V03 set up with:

- Enclosure with window 20" from LSG
- Stepped keyboard with Mousepad

### Ex system made of:

- QUINGUARD® controller
- Valvemodule with digital valve
- **3x Interfacemodule** for data separation
- Ex e push button to switch on manually

## PPG V04 set up with:

- Enclosure with window 20" from LSG
- Stepped keyboard with Mousepad

### Ex system made of:

- QUINGUARD® controller
- Valvemodule with digital valve
- **3x Interfacemodule** for data separation
- Ex e push button to switch on manually
- **Portable gas detector** with charging station within the cabinet

## PPG V05 set up with:

- Enclosure with window 20" from LSG
- Stepped keyboard with Mousepad
- Automatically switched on

### Ex system made of:

- QUINGUARD® controller
- Valvemodule with digital valve
- **1x Interfacemodule** for data separation
- **Stationary gas detector** within the cabinet

## PPG V06 set up with:

- Enclosure with window 20" from LSG
- Stepped keyboard with Mousepad
- Automatically switched on

### Ex system made of:

- QUINGUARD® controller
- Valvemodule with digital valve
- **3x Interfacemodule** for data separation
- **Stationary gas detector** within the cabinet

# TPG Touch Panel Guard

Patented and ATEX approved Overpressure PC enclosure  
Prepared with touchscreen for build in a Non Ex PC



Overpressure



- No flushing necessary
- Approved Ex e enclosure
- Economic operation
- Customized enclosure variations possible
- Stainless steel keyboard integrated
- Use of standard non Ex PC or TFT

## Description

Quintex offers a Ex px PC cabinet in different sizes and designs. All systems are available for hazardous areas (Zones 2/22 or 1/21) in the pressurization protection. Depending on the specific application different performance PC's can be used. Here are options all possible. Mounting configurations are available as a support arm or pedestal. Different keyboards are available with mouse pad or trackball. To perform data connections from the outside into the cabinet, up to three interface modules with different interfaces are usable. To minimize the air consumption a valve module with pressure-controlled leakage compensation is used.

The Ex Quintex PC system works without purging, and is thus ready for use immediately after release by gas detection. The elimination of flushing time and pressurized air makes the operation very economical. The clearance measurements made with commercial gas detectors are available as portable or stationary versions.



## Possible Application

- Use with Standard PC or TFT
- Use as remote HMI

## Technical data:

Dimension (mm): 540\*650\*440 (20")

Ambient temperature: -20°C up to +70°C

Switching capacity: max. 5 A (without Contactor SC)

## Certificates

ATEX, GOST TC-RU

## Marking

Pressure controller system:

Ex II 2G / II D

## Power supply:

DC 24 Volts

AC 115 Volts 50/60 Hz

AC 230 Volts 50/60 Hz

## Order data:

Mild steel painted: TPG-S01

Stainless steel 1.4301, 304L TPG-V01  
Stainless Steel 1.4401, 316L TPG-W01

# TPG Touch Panel Guard

Patented and ATEX approved Overpressure PC enclosure  
Prepared for build in an Non Ex PC



Overpressure



## TPG V01 set up with:

- Enclosure with window 20" from LSG
- Stepped keyboard with Mousepad

### Ex system made of:

- QUINGUARD® controller
- Valvemodule with digital valve
- **1x Interfacemodule** for data separation
- Ex e push button to switch on manually

## TPG V02 set up with:

- Enclosure with window 20" from LSG
- Stepped keyboard with Mousepad

### Ex system made of:

- QUINGUARD® controller
- Valvemodule with digital valve
- **1x Interfacemodule** for data separation
- Ex e push button to switch on manually
- **Portable gas detector** with charging station within the cabinet

## TPG V03 set up with:

- Enclosure with window 20" from LSG
- Stepped keyboard with Mousepad

### Ex system made of:

- QUINGUARD® controller
- Valvemodule with digital valve
- **3x Interfacemodule** for data separation
- Ex e push button to switch on manually

## TPG V04 set up with:

- Enclosure with window 20" from LSG
- Stepped keyboard with Mousepad

### Ex system made of:

- QUINGUARD® controller
- Valvemodule with digital valve
- **3x Interfacemodule** for data separation
- Ex e push button to switch on manually
- **Portable gas detector** with charging station within the cabinet

## TPG V05 set up with:

- Enclosure with window 20" from LSG
- Stepped keyboard with Mousepad
- Automatically switched on

### Ex system made of:

- QUINGUARD® controller
- Valvemodule with digital valve
- **1x Interfacemodule** for data separation
- **Stationary gas detector** within the cabinet

## TPG V06 set up with:

- Enclosure with window 20" from LSG
- Stepped keyboard with Mousepad
- Automatically switched on

### Ex system made of:

- QUINGUARD® controller
- Valvemodule with digital valve
- **3x Interfacemodule** for data separation
- **Stationary gas detector** within the cabinet

# QUINGUARD®

## Plug & Play enclosure serie SPZ



# SPZ Enclosure series

Patented and ATEX certified enclosure ready to start



Überdruckkapselung



Specification for Ex areas			
Marking in accordance to 94/9/EG		ATEX	
Type of protection		II 2G Ex IIC und II 2D Ex IIIC	
Ambient temperature °C Silicon sealing		Gas Temperature class T*°C	Dust temperature °C
MIN	MAX		
-25	+70	T4	130
Max. Temperature range	-25...+70°C		
Ingress protection	IP 66 nach EN60529		
Ex-Zone		1, 2, 21, 22	
Applicable at risk of mechanical exposure (Impact resistance)		high (7 Joule)	
Gas groups		IIA; IIB; IIC	
Certificates		ATEX, GOST TC-RU	

Enclosure specification	
Enclosure material	Sheet steel painted, Stainless Steel 304 , Stainless Steel 316L, Plastic (e.g.GRP)
Surface	Painted in RAL 7035, brushed, electro polished Mounting plate sheet steel, zinc plated
Lid fixing	Quarter turn with 3mm double bit/ Door hinged right hand
Gasket	One piece of silicone or PU
Earthing	8mm Earthing bolt inside/outside
Bushing	Cable glands made of plastic or metal zinc plated
Mounting	Wall mounting brackets screwed or welded

Optionen	
Door closure	Square 8mm; Triangular lock with cylinder
Safety glass window	Made from ESG; Size on request
Foils in the door	Fixed with clamp frame for mounting of operator terminals
Double gasket	Will be used under high pressure



# SPZ Enclosure series

Patented and ATEX certified enclosure series ready to start



Overpressure



- No flushing necessary
- Certified Ex e enclosure
- Different power dissipation
- Easy operation without programming
- Mounting is done on customer side
- Option with Safety glass or HMI

## Description:

QUINTEX offers the enclosure series SPZ in different sizes and designs. All systems are available for the use in hazardous area (Zone 1/21 and Zone 2/22) in the protection type overpressure. Variants can vary depending on the specific application. The enclosure series SPZ allowed the customer to bring his non ex-components directly in the hazardous area. The enclosures are certified and ready to use immediately after installation. By sending the documentation especially wiring diagram, drawing, bill of material and photos the type of label will arrive quickly after examination the documents. By connecting the power supply and the necessary pressure, both find in the accompanying documentation, the system starts automatically. The QUINGUARD® control unit works without a flushing phase and starts after free measurement with the stationary gas detector automatically. The elimination of

flushing time and the use of flushing gas make's the operation particularly economical. Each cabinet has different power dissipation that can be used inside. Please look in the documentation or on the type label what is maximum allowed.



## Possible Application

- Enclosure with HMI's
- Enclosure in all different sizes
- Analyzer
- Fill-up system
- Dosing system
- Painting system
- Temperature control units

## Technical Data:

Dimension (mm): see datasheet  
IP rate: IP 66  
Ambient temperature: -25°C up to +70°C  
Switching capacity: max. 5 A (without contactor SC)

## Certificates

ATEX, GOST TC-RU

## Marking

Pressure controller QUINGUARD® in the SPZ enclosure series:  
Ex II 2G / II D

## Power supply:

DC 24 Volt  
AC 115 Volt 50/60 Hz  
AC 230 Volt 50/60 Hz

## Options:

- Certified control functions
- Certified contactor series SC
- Variable enclosure dimension

# SPZ Enclosure series

Patented and ATEX certified enclosure series ready to start

**Overpressure**



Following specifications characterized the SPZ housing series:

Material:

- Painted steel sheet
- Stainless steel V2A, 1.4301, 304L
- Stainless steel V4A, 1.4404, 306L
- Stainless steel V2A, 1.4571, 306Ti

Construction:

- Fully welded construction frame
- Ongoing to frames in the body and lid

Body:

- Hinged on the right side (left and right at SPZ-\_07 and SPZ-\_08)
- Crotch fixed welded at SPZ-\_07 and SPZ-\_08
- Doors with reinforcement frame
- Mounting plate on the backside for customer
- Mountingplate QMP right hand side with QUINGUARD® controller
- Mountingplate DMP right hand side with QUINGUARD® controller

Door closure :

- Double mandrel 3 mm

Standard cabinets with short delivery time (dimension in W \* H \* D in mm). The capacity refers the maximum power dissipation which is shown on the documentation.

• SPZ-_01	400*	600*	300mm	145 Watt
• SPZ-_02	600*	600*	300mm	190 Watt
• SPZ-_03	600*	800*	300mm	235 Watt
• SPZ-_04	800*	1000*	300mm	347 Watt
• SPZ-_05	800*	1200*	400mm	456 Watt
• SPZ-_06	800*	1500*	400mm	545 Watt
• SPZ-_07	800*	1800*	400mm	634 Watt
• SPZ-_08	1000*	2000*	500mm	898 Watt
• SPZ-_09	1200*	2000*	500mm	1028 Watt

The pressure controller QUINGUARD® inside the standard enclosure series SPZ is ready wired with the stationary gas detector on terminals. Fixed pressure reducer automatically regulates the setting form. Due to the low internal pressure 6 mbar installing approved devices in the front is not a problem.

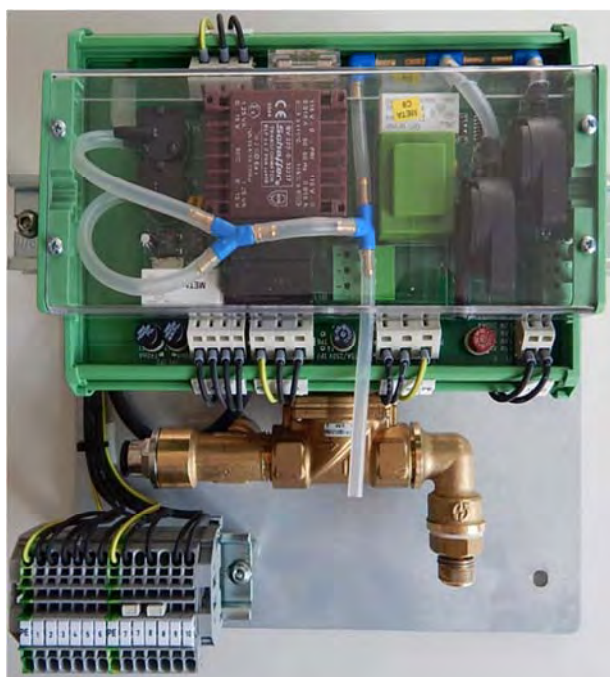


- Space saving on mounting plate
- Ready for connection on terminals
- Reference pressure connection via tube
- Digital valve NO
- Automatic leakage compensation
- No adjustment necessary

## Description

QUINGUARD QMP is designed for cabinets and enclosures be installed in explosive environments. All components are installed on a mounting plate space-saving and wired ready for connection to terminal block. After applying the respective voltage and the necessary pressure (both values please refer to the type label) QUINGUARD QMP switches on the cabinet installations after reaching the required internal pressure. The switching capacity of the QUINGUARD QMP is maximum 5A. Higher switching capacities needed an approved contactor for high switching capacities which can be installed directly in the control cabinet. That will be with the contactor series SC. The Valve modul ensures an automatic leak compensation. The used valve in the NO (normally open) version guarantees a permanent and reliable to internal pressure due to its high-quality design. The internal pressure is fixed and the adjusting screws are sealed and must not be changed.

As Safety valve is a mechanical outlet FGO used. It opens if the internal pressure is higher than the outside pressure to a specific pressure value. This is implemented via a pressure compensation element that is directly connected to the QUINGUARD QMP.



## Technical data:

Dimension (mm): 260\*280\*130  
Mounting position: without limitation  
Pressure above: max.18bar  
Internal pressure: 5-25 mbar

## Certificates

ATEX, GOST TC-RU

## Marking

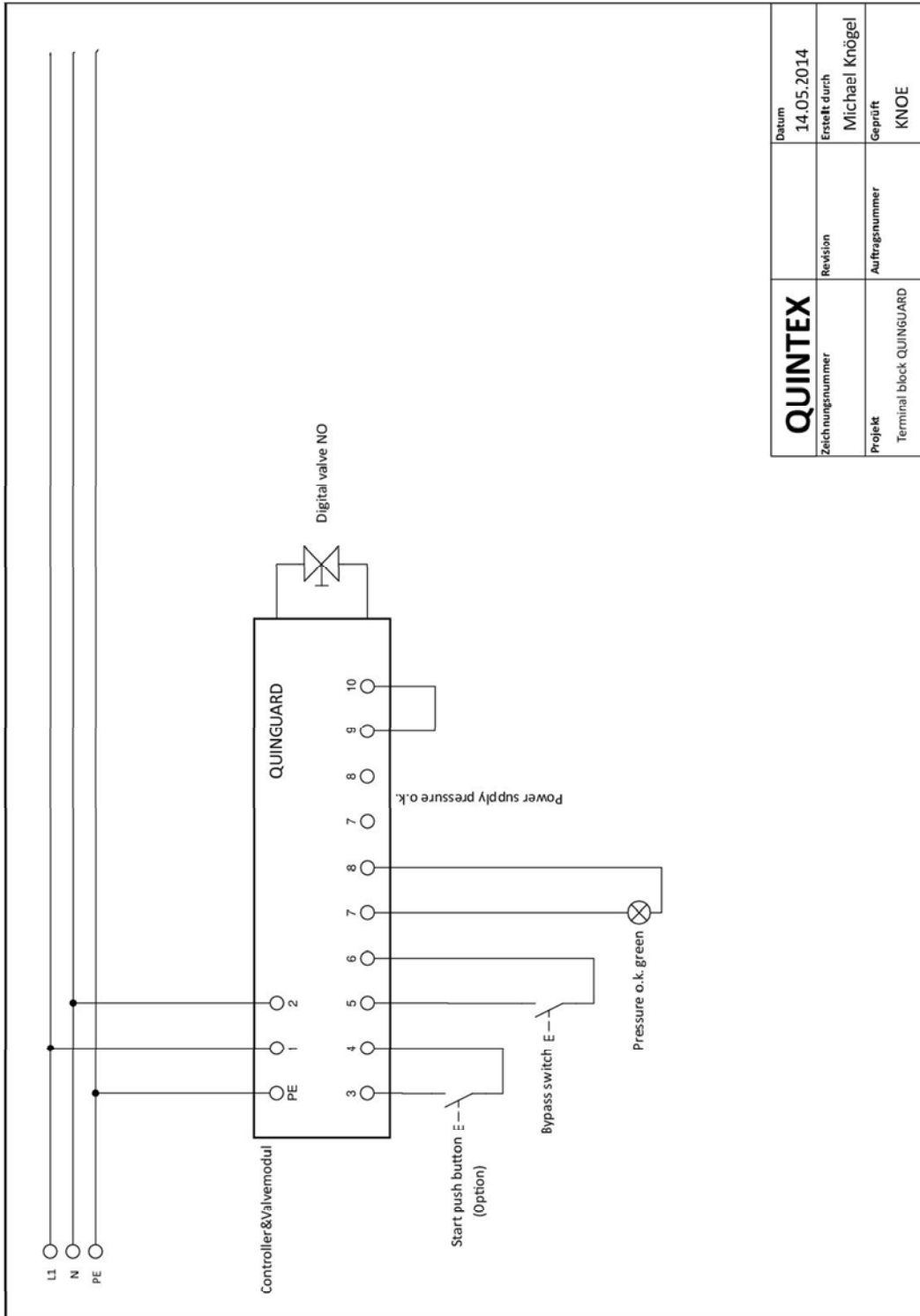
**Ex** II 2G / II D

## Power supply:

DC 24 Volt  
AC 115 Volt 50/60 Hz  
AC 230 Volt 50/60 Hz

Patented and ATEX certified QUINGUARD<sup>®</sup> Controller with Valve module und Interface module ready wired and mounted on mounting plate

**Overpressure**



<b>QUINTEX</b>	Datum	14.05.2014
	Zeichnungsnummer	Revision
Projekt	Auftragsnummer	Geprüft
Terminal block QUINGUARD		KNOE

QUINGUARD<sup>®</sup> Stationary gas detector ready mounted and wired on mounting plate

Overpressure



- Space saving on mounting plate
- Ready for connection on terminals
- 3 potential free contacts
- Calibrated and preset
- Use only with the QMP
- No adjustment necessary

## Description

QUINGUARD DMP is designed for cabinets and enclosures be installed in explosive environments. All components are installed on a mounting plate space-saving and wired ready for connection to terminal block. QUINGUARD DMP reliably monitors the ex-free zone within the cabinet. The flame-proof power supply provides the necessary power supply and a delayed release voltage. After the mains voltage is applied, the used gas detector is switched on and checked the ex-free zone within the cabinet. After measurement the QUINGUARD QMP is switched on. It monitors and regulates the necessary pressure then. If a gas is illuminating the release voltage fails. The valve on the QUINGUARD QMP is open in a deenergised state (NO) and thus providing the turbulence and an increase in internal pressure to approx. 12-14 mbar. Then open the installed safety outlet and provides for a discharge of the gas mixture. If no gas is illuminating the gas detector releases the tension and QUINGUARD QMP is switched on. This means that the operation with flammable gas mixtures is also sure permanently monitored and is easily possible (containment system).



## Technical data:

Dimension (mm): 260\*300\*130  
Mounting position: without limitation  
Pressure above: max.18bar  
Internal pressure: 5-25 mbar

## Certificates

ATEX, GOST TC-RU

## Marking

II 2G / II D

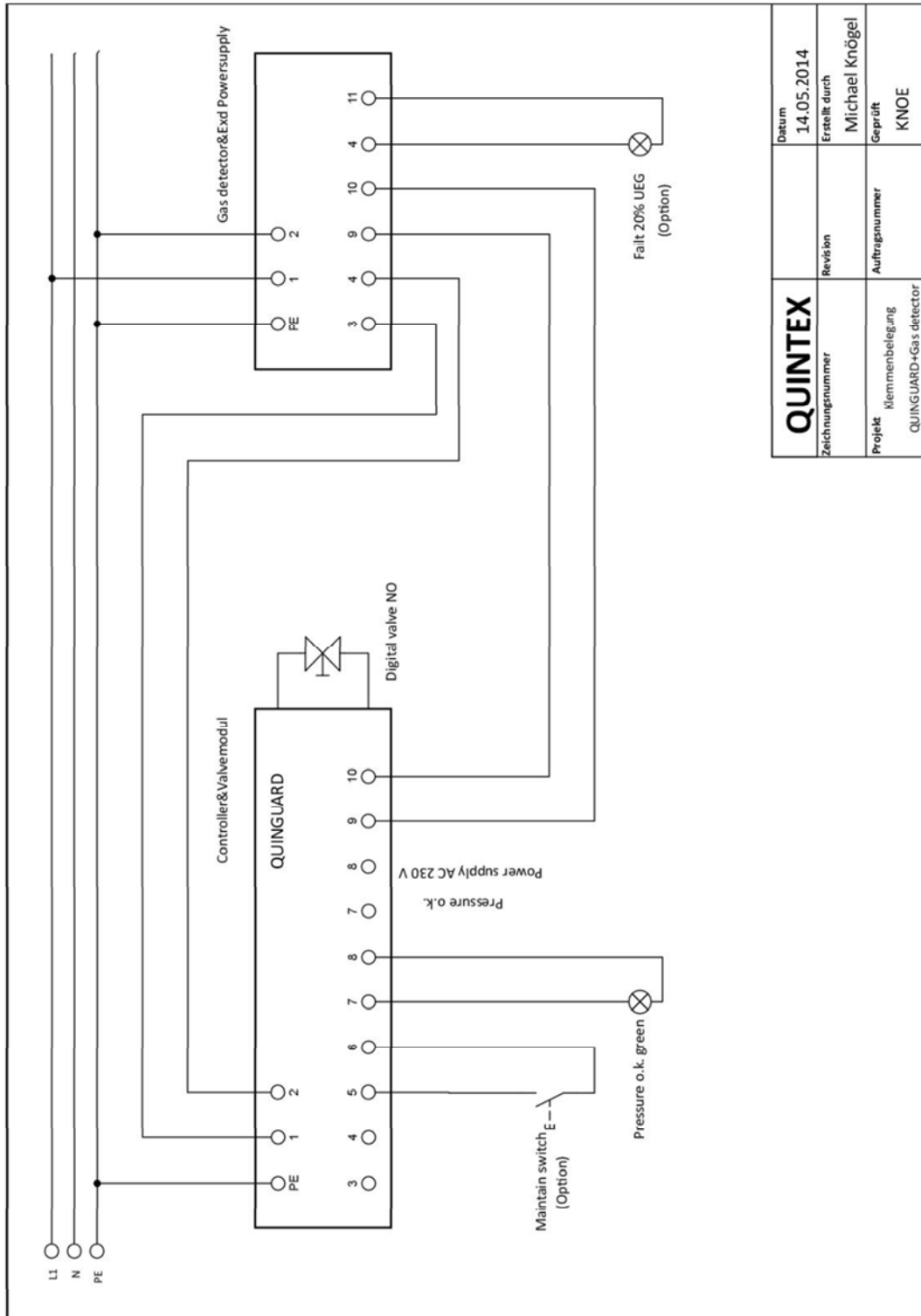
## Power supply:

DC 24 Volt  
AC 115 Volt 50/60 Hz  
AC 230 Volt 50/60 Hz

# QUINGUARD<sup>®</sup> DMP

QUINGUARD<sup>®</sup> Stationary gas detector  
ready wired and mounted on mounting plate

Overpressure



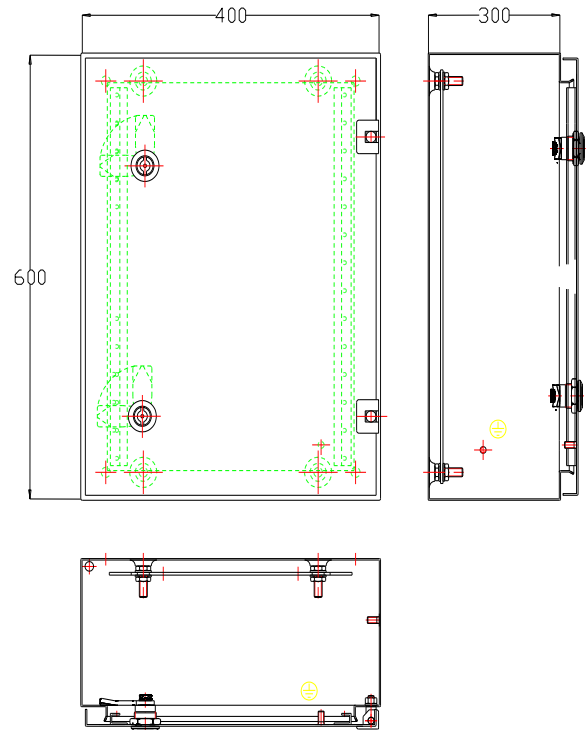
<b>QUINTEX</b>	Datum	14.05.2014
	Erstellt durch	Michael Knögel
Zeichnungsnummer	Revision	
Projekt	Auftragsnummer	
Klemmenbelegung	Geprüft	KNOE
QUINGUARD+Gas detector		



- No flushing necessary
- Certified Ex e enclosure
- Different power dissipation
- Easy operation without programming
- Mounting is done on customer side
- Option with Safety glass or HMI

## Description:

QUINTEX offers the enclosure series SPZ in different sizes and designs. All systems are available for the use in hazardous area (Zone 1/21 and Zone 2/22) in the protection type overpressure. The enclosure series SPZ allowed the customer to bring his non ex-components directly in the hazardous area. The enclosures are certified and ready to use immediately after installation. By connecting the power supply and the necessary pressure, both find in the accompanying documentation, the system starts automatically. The elimination of flushing time and the use of flushing gas make's the operation particularly economical. The QUINGUARD® control unit works without a flushing phase and starts after free measurement with the stationary gas detector in zone 1 automatically. In zone 2 applications it measure free by handheld gas detector and give an alarm when the pressure felt under the level.



## Possible Application

- Enclosure with HMI's
- Analyzer
- Fill-up system
- Dosing system
- Painting system
- Temperature control units

## Technical Data:

Dimension (mm):	400*600*300mm
IP rate:	IP 66
Power dissipation:	145 Watt
Switching capacity:	max. 5 A (without Contactor SC)

## Certificates

ATEX, GOST TC-RU

## Marking

Pressure controller QUINGUARD® in the SPZ enclosure series:

Ex II 2G / II D

## Power supply:

DC 24 Volts  
AC 115 Volts 50/60 Hz  
AC 230 Volts 50/60 Hz

## Order number:

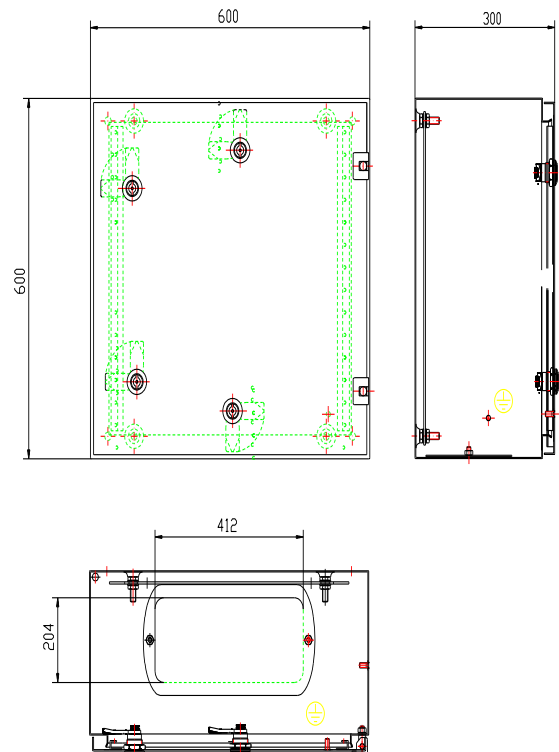
Mild steel painted RAL 7035	SPZ -S01
Stainless Steel 1.4301, 304L	SPZ -V01
Stainless Steel 1.4401, 316L	SPZ -W01



- No flushing necessary
- Certified Ex e enclosure
- Different power dissipation
- Easy operation without programming
- Mounting is done on customer side
- Option with Safety glass or HMI

## Description:

QUINTEX offers the enclosure series SPZ in different sizes and designs. All systems are available for the use in hazardous area (Zone 1/21 and Zone 2/22) in the protection type overpressure. The enclosure series SPZ allowed the customer to bring his non ex-components directly in the hazardous area. The enclosures are certified and ready to use immediately after installation. By connecting the power supply and the necessary pressure, both find in the accompanying documentation, the system starts automatically. The elimination of flushing time and the use of flushing gas make's the operation particularly economical. The QUINGUARD® control unit works without a flushing phase and starts after free measurement with the stationary gas detector in zone 1 automatically. In zone 2 applications it measure free by handheld gas detector and give an alarm when the pressure felt under the level.



## Possible Application

- Enclosure with HMI's
- Analyzer
- Fill-up system
- Dosing system
- Painting system
- Temperature control units

## Technical Data:

Dimension (mm):	600*600*300mm
IP rate:	IP 66
Power dissipation:	190 Watt
Switching capacity:	max. 5 A (without Contactor SC)

## Certificates

ATEX, GOST TC-RU

## Marking

Pressure controller QUINGUARD® in the SPZ enclosure series:

Ex II 2G / II D

## Power supply:

DC 24 Volts  
 AC 115 Volts 50/60 Hz  
 AC 230 Volts 50/60 Hz

## Order number:

Mild steel painted RAL 7035	SPZ -S02
Stainless Steel 1.4301, 304L	SPZ -V02
Stainless Steel 1.4401, 316L	SPZ -W02

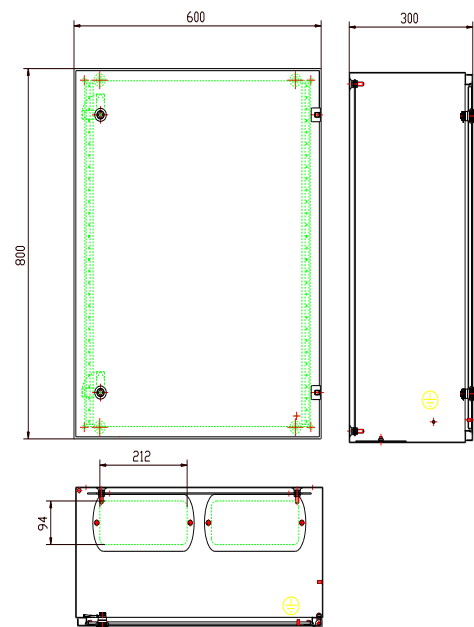




- No flushing necessary
- Certified Ex e enclosure
- Different power dissipation
- Easy operation without programming
- Mounting is done on customer side
- Option with Safety glass or HMI

## Description:

QUINTEX offers the enclosure series SPZ in different sizes and designs. All systems are available for the use in hazardous area (Zone 1/21 and Zone 2/22) in the protection type overpressure. The enclosure series SPZ allowed the customer to bring his non ex-components directly in the hazardous area. The enclosures are certified and ready to use immediately after installation. By connecting the power supply and the necessary pressure, both find in the accompanying documentation, the system starts automatically. The elimination of flushing time and the use of flushing gas make's the operation particularly economical. The QUINGUARD® control unit works without a flushing phase and starts after free measurement with the stationary gas detector in zone 1 automatically. In zone 2 applications it measure free by handheld gas detector and give an alarm when the pressure felt under the level.



## Possible Application

- Enclosure with HMI's
- Analyzer
- Fill-up system
- Dosing system
- Painting system
- Temperature control units

## Technical Data:

Dimension (mm):	600*800*300mm
IP rate:	IP 66
Power dissipation:	235 Watt
Switching capacity:	max. 5 A (without Contactor SC)

## Certificates

ATEX, GOST TC-RU

## Marking

Pressure controller QUINGUARD® in the SPZ enclosure series:

**Ex** II 2G / II D

## Power supply:

DC 24 Volts  
 AC 115 Volts 50/60 Hz  
 AC 230 Volts 50/60 Hz

## Order number:

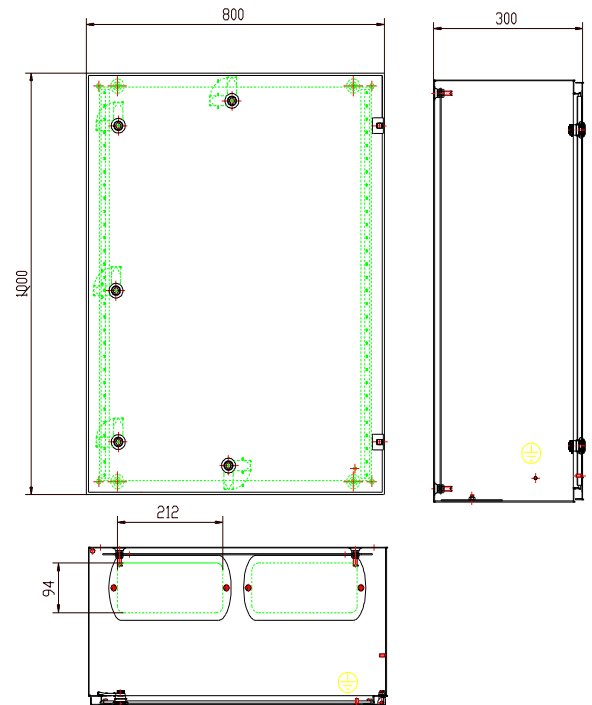
Mild steel painted RAL 7035	SPZ -S03
Stainless Steel 1.4301, 304L	SPZ -V03
Stainless Steel 1.4401, 316L	SPZ -W03



- No flushing necessary
- Certified Ex e enclosure
- Different power dissipation
- Easy operation without programming
- Mounting is done on customer side
- Option with Safety glass or HMI

## Description:

QUINTEX offers the enclosure series SPZ in different sizes and designs. All systems are available for the use in hazardous area (Zone 1/21 and Zone 2/22) in the protection type overpressure. The enclosure series SPZ allowed the customer to bring his non ex-components directly in the hazardous area. The enclosures are certified and ready to use immediately after installation. By connecting the power supply and the necessary pressure, both find in the accompanying documentation, the system starts automatically. The elimination of flushing time and the use of flushing gas make's the operation particularly economical. The QUINGUARD® control unit works without a flushing phase and starts after free measurement with the stationary gas detector in zone 1 automatically. In zone 2 applications it measure free by handheld gas detector and give an alarm when the pressure felt under the level..



## Possible Application

- Enclosure with HMI's
- Analyzer
- Fill-up system
- Dosing system
- Painting system
- Temperature control units

## Technical Data:

Dimension (mm):	800*1000*300mm
IP rate:	IP 66
Power dissipation:	347 Watt
Switching capacity:	max. 5 A (without Contactor SC)

## Certificates

ATEX, GOST TC-RU

## Marking

Pressure controller QUINGUARD® in the SPZ enclosure series:

**Ex** II 2G / II D

## Power supply:

DC 24 Volts  
 AC 115 Volts 50/60 Hz  
 AC 230 Volts 50/60 Hz

## Order number:

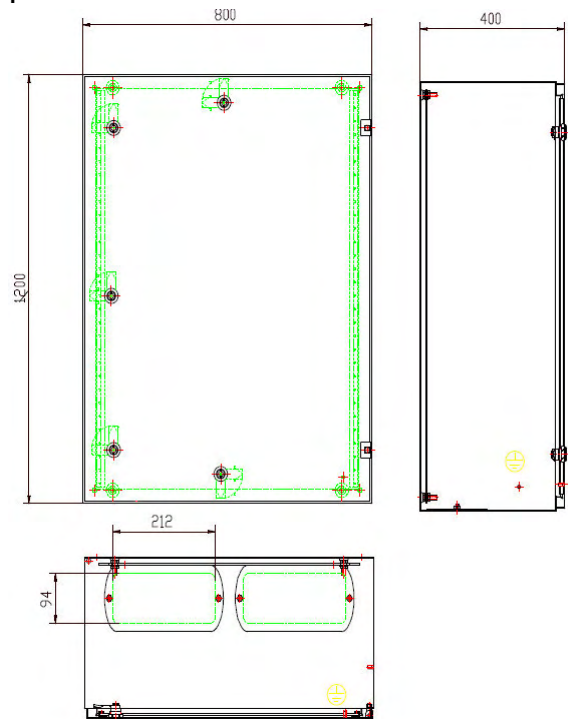
Mild steel painted RAL 7035	SPZ –S04
Stainless Steel 1.4301, 304L	SPZ –V04
Stainless Steel 1.4401, 316L	SPZ –W04



- No flushing necessary
- Certified Ex e enclosure
- Different power dissipation
- Easy operation without programming
- Mounting is done on customer side
- Option with Safety glass or HMI

## Description:

QUINTEX offers the enclosure series SPZ in different sizes and designs. All systems are available for the use in hazardous area (Zone 1/21 and Zone 2/22) in the protection type overpressure. The enclosure series SPZ allowed the customer to bring his non ex-components directly in the hazardous area. The enclosures are certified and ready to use immediately after installation. By connecting the power supply and the necessary pressure, both find in the accompanying documentation, the system starts automatically. The elimination of flushing time and the use of flushing gas make's the operation particularly economical. The QUINGUARD® control unit works without a flushing phase and starts after free measurement with the stationary gas detector in zone 1 automatically. In zone 2 applications it measure free by handheld gas detector and give an alarm when the pressure felt under the level.



## Possible Application

- Enclosure with HMI's
- Analyzer
- Fill-up system
- Dosing system
- Painting system
- Temperature control units

## Technical Data:

Dimension (mm):	800*1200*400mm
IP rate:	IP 66
Power dissipation:	465 Watt
Switching capacity:	max. 5 A (without Contactor SC)

## Certificates

ATEX, GOST TC-RU

## Marking

Pressure controller QUINGUARD® in the SPZ enclosure series:

Ex II 2G / II D

## Power supply:

DC 24 Volts  
AC 115 Volts 50/60 Hz  
AC 230 Volts 50/60 Hz

## Order number:

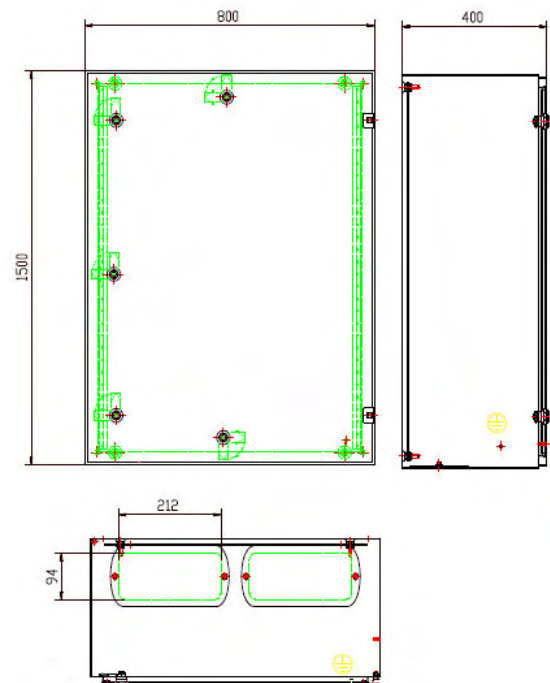
Mild steel painted RAL 7035	SPZ -S05
Stainless Steel 1.4301, 304L	SPZ -V05
Stainless Steel 1.4401, 316L	SPZ -W05



- No flushing necessary
- Certified Ex e enclosure
- Different power dissipation
- Easy operation without programming
- Mounting is done on customer side
- Option with Safety glass or HMI

## Description:

QUINTEX offers the enclosure series SPZ in different sizes and designs. All systems are available for the use in hazardous area (Zone 1/21 and Zone 2/22) in the protection type overpressure. The enclosure series SPZ allowed the customer to bring his non ex-components directly in the hazardous area. The enclosures are certified and ready to use immediately after installation. By connecting the power supply and the necessary pressure, both find in the accompanying documentation, the system starts automatically. The elimination of flushing time and the use of flushing gas make's the operation particularly economical. The QUINGUARD® control unit works without a flushing phase and starts after free measurement with the stationary gas detector in zone 1 automatically. In zone 2 applications it measure free by handheld gas detector and give an alarm when the pressure felt under the level..



## Possible Application

- Enclosure with HMI's
- Analyzer
- Fill-up system
- Dosing system
- Painting system
- Temperature control units

## Technical Data:

Dimension (mm):	800*1500*400mm
IP rate:	IP 66
Power dissipation:	545 Watt
Switching capacity:	max. 5 A (without Contactor SC)

## Certificates

ATEX, GOST TC-RU

## Marking

Pressure controller QUINGUARD® in the SPZ enclosure series:

**Ex** II 2G / II D

## Power supply:

DC 24 Volts  
 AC 115 Volts 50/60 Hz  
 AC 230 Volts 50/60 Hz

## Order number:

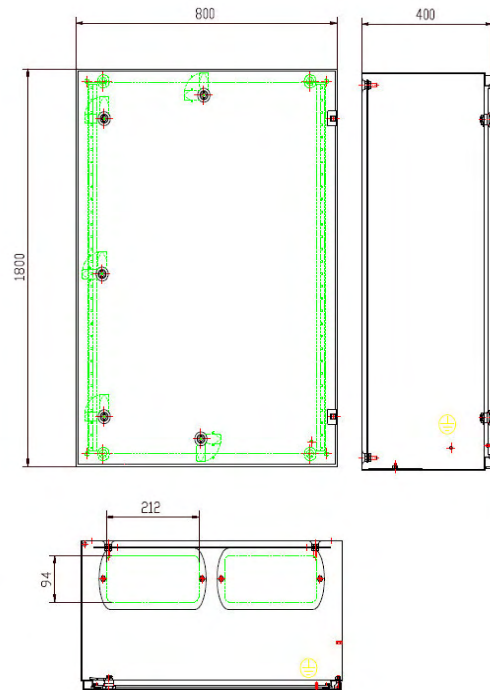
Mild steel painted RAL 7035	SPZ –S06
Stainless Steel 1.4301, 304L	SPZ –V06
Stainless Steel 1.4401, 316L	SPZ –W06



- No flushing necessary
- Certified Ex e enclosure
- Different power dissipation
- Easy operation without programming
- Mounting is done on customer side
- Option with Safety glass or HMI

## Description:

QUINTEX offers the enclosure series SPZ in different sizes and designs. All systems are available for the use in hazardous area (Zone 1/21 and Zone 2/22) in the protection type overpressure. The enclosure series SPZ allowed the customer to bring his non ex-components directly in the hazardous area. The enclosures are certified and ready to use immediately after installation. By connecting the power supply and the necessary pressure, both find in the accompanying documentation, the system starts automatically. The elimination of flushing time and the use of flushing gas make's the operation particularly economical. The QUINGUARD® control unit works without a flushing phase and starts after free measurement with the stationary gas detector in zone 1 automatically. In zone 2 applications it measure free by handheld gas detector and give an alarm when the pressure felt under the level.



## Possible Application

- Enclosure with HMI's
- Analyzer
- Fill-up system
- Dosing system
- Painting system
- Temperature control units

## Technical Data:

Dimension (mm):	800*1800*400mm
IP rate:	IP 66
Power dissipation:	634 Watt
Switching capacity:	max. 5 A (without Contactor SC)

## Certificates

ATEX, GOST TC-RU

## Marking

Pressure controller QUINGUARD® in the SPZ enclosure series:

Ex II 2G / II D

## Power supply:

DC 24 Volts  
 AC 115 Volts 50/60 Hz  
 AC 230 Volts 50/60 Hz

## Order number:

Mild steel painted RAL 7035	SPZ -S07
Stainless Steel 1.4301, 304L	SPZ -V07
Stainless Steel 1.4401, 316L	SPZ -W07



- No flushing necessary
- Certified Ex e enclosure
- Different power dissipation
- Easy operation without programming
- Mounting is done on customer side
- Option with Safety glass or HMI

## Description:

QUINTEX offers the enclosure series SPZ in different sizes and designs. All systems are available for the use in hazardous area (Zone 1/21 and Zone 2/22) in the protection type overpressure. The enclosure series SPZ allowed the customer to bring his non ex-components directly in the hazardous area. The enclosures are certified and ready to use immediately after installation. By connecting the power supply and the necessary pressure, both find in the accompanying documentation, the system starts automatically. The elimination of flushing time and the use of flushing gas make's the operation particularly economical. The QUINGUARD® control unit works without a flushing phase and starts after free measurement with the stationary gas detector in zone 1 automatically. In zone 2 applications it measure free by handheld gas detector and give an alarm when the pressure felt under the level..



## Possible Application

- Enclosure with HMI's
- Analyzer
- Fill-up system
- Dosing system
- Painting system
- Temperature control units

## Technical Data:

Dimension (mm):	1000*2000*500
IP rate:	IP 66
Power dissipation:	898 Watt
Switching capacity:	max. 5 A (without Contactor SC)

## Certificates

ATEX, GOST TC-RU

## Marking

Pressure controller QUINGUARD® in the SPZ enclosure series:

**Ex** II 2G / II D

## Power supply:

DC 24 Volts  
 AC 115 Volts 50/60 Hz  
 AC 230 Volts 50/60 Hz

## Order number:

Mild steel painted RAL 7035	SPZ –S08
Stainless Steel 1.4301, 304L	SPZ –V08
Stainless Steel 1.4401, 316L	SPZ –W08



- No flushing necessary
- Certified Ex e enclosure
- Different power dissipation
- Easy operation without programming
- Mounting is done on customer side
- Option with Safety glass or HMI

## Description:

QUINTEX offers the enclosure series SPZ in different sizes and designs. All systems are available for the use in hazardous area (Zone 1/21 and Zone 2/22) in the protection type overpressure. The enclosure series SPZ allowed the customer to bring his non ex-components directly in the hazardous area. The enclosures are certified and ready to use immediately after installation. By connecting the power supply and the necessary pressure, both find in the accompanying documentation, the system starts automatically. The elimination of flushing time and the use of flushing gas make's the operation particularly economical. The QUINGUARD® control unit works without a flushing phase and starts after free measurement with the stationary gas detector in zone 1 automatically. In zone 2 applications it measure free by handheld gas detector and give an alarm when the pressure felt under the level.



## Possible Application

- Enclosure with HMI's
- Analyzer
- Fill-up system
- Dosing system
- Painting system
- Temperature control units

## Certificates

ATEX, GOST TC-RU

## Marking

Pressure controller QUINGUARD® in the SPZ enclosure series:

Ex II 2G / II D

## Power supply:

DC 24 Volts  
 AC 115 Volts 50/60 Hz  
 AC 230 Volts 50/60 Hz

## Order number:

Mild steel painted RAL 7035	SPZ -S09
Stainless Steel 1.4301, 304L	SPZ -V09
Stainless Steel 1.4401, 316L	SPZ -W09

## Technical Data:

Dimension (mm): 1200\*2000\*500  
 IP rate: IP 66  
 Power dissipation: 1028 Watt  
 Switching capacity: max. 5 A (without Contactor SC)

Please visit our Webpage to see the Latest information about Quintex

If you need quick help, please use our online chat.  
Free of charge and easy to use

Quintex GmbH Produktübersicht - Mozilla Firefox

www.quintex.info/home/heizung\_index.htm

Meistbesucht Erste Schritte phpOnline - Admin Ar... WWW leo.org SMA Solar Technology... Quintex GmbH Produk... Heat Trace | Home utrace - IP-Adressen u...

Quintex GmbH Produktübersicht

Impressum | AGB B2B | AGB privat | Qualität | Sitemap

Erfahrung ist Zukunft

**QUINT Ex**

Wir haben eine neue selbstbegrenzende Heizplatte ( bis zu 1000 Watt) in verschiedenen Ausführungen im Programm. Mehr unter Begleitheizung/Heizgeräte

Quintex

Kontakt

Produktübersicht

Begleitheizung

Leitungsdurchführungen

Überdruckkapselung

Ex Verteiler

Befehls-Meldegeräte Ex Geräte

Kalkulieren und Bestellen

Haustechnik

Downloads

Innovation

Google

Benutzerdefinierte Suche

Suche starten

Live Beratung

QUINTEX Live Chat ONLINE


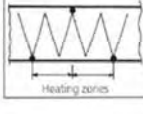









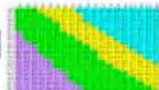
Webshop

WebShop! >>

Um am Webshop teilnehmen zu können, müssen Sie nicht registriert sein. Sie können auch als Gast

Quintex Begleitheizung - Übersicht, anklickbar

Hier können Sie einfach und schnell zu den Detailinformationen unserer Produkte finden  
Klicken Sie einfach Bild oder Text an und sie werden weitergeleitet.

 <a href="#">selbstregelnde Heizbänder</a>	 <a href="#">konstantheizendes Heizband</a>	 <a href="#">Kunststoffheizleitung</a>	 <a href="#">Mineralisoliertes Heizkabel</a>
 <a href="#">Anschluss-technik Heizband</a>	 <a href="#">Regelgeräte Begleitheizung</a>	 <a href="#">kundenspezifische Heizplatte</a>	 <a href="#">Zubehör Begleitheizung</a>
 <a href="#">Anwendungen</a>	 <a href="#">Grundlagen</a>	 <a href="#">Heizkreisauslegung online</a>	 <a href="#">Wärmeverlusttabelle</a>
	